



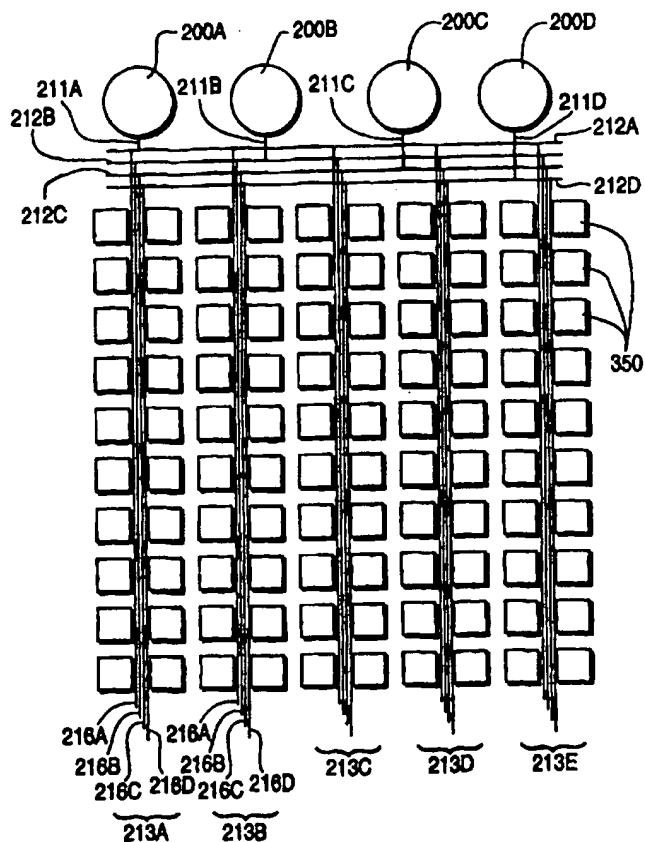
INTERNATIONAL APPLICATION PUBLISHED UNDER THE PATENT COOPERATION TREATY (PCT)

<p>(51) International Patent Classification <sup>6</sup> : <b>H02K 44/02, 44/04, H01J 41/18, F04D 33/00</b></p>	<p>A1</p>	<p>(11) International Publication Number: <b>WO 96/15576</b> (43) International Publication Date: 23 May 1996 (23.05.96)</p>
<p>(21) International Application Number: PCT/US95/4590 (22) International Filing Date: 9 November 1995 (09.11.95) (30) Priority Data: 08/338,703 10 November 1994 (10.11.94) US 08/469,238 6 June 1995 (06.06.95) US 08/483,331 7 June 1995 (07.06.95) US (71) Applicant: DAVID SARNOFF RESEARCH CENTER, INC. [US/US]; 201 Washington Road, CN5300, Princeton, NJ 08543-5300 (US). (72) Inventors: ZANZUCCHI, Peter, J.; 13 Jill Drive, Lawrenceville, NJ 08648 (US). CHERUKURI, Satyam, C.; 90 Cranbury Neck Road, Cranbury, NJ 08512 (US). MCBRIDE, Sterling, E.; 4124 Fieldcrest Court, Lawrenceville, NJ 08638 (US). DEMERS, Robert, R.; 26 Evans Drive, Cranbury, NJ 08512 (US). LEVINE, Aaron, W.; 6 Springwood Drive, Lawrenceville, NJ 08648 (US). (74) Agents: BURKE, William, J. et al.; David Saroff Research Center, Inc., 201 Washington Road CN5300, Princeton, NJ 08543-5300 (US).</p>	<p>(81) Designated States: AM, AU, BB, BG, BR, BY, CA, CN, CZ, EE, FI, GE, HU, IS, JP, KG, KP, KR, KZ, LK, LR, LT, LV, MD, MG, MN, MX, NO, NZ, PL, RO, RU, SG, SI, SK, TJ, TM, TT, UA, UZ, VN, European patent (AT, BE, CH, DE, DK, ES, FR, GB, GR, IE, IT, LU, MC, NL, PT, SE), OAPI patent (BF, BJ, CF, CG, CI, CM, GA, GN, ML, MR, NE, SN, TD, TG), ARIPO patent (KE, LS, MW, SD, SZ, UG).  <b>Published</b> <i>With international search report. Before the expiration of the time limit for amending the claims and to be republished in the event of the receipt of amendments.</i></p>	

(54) Title: LIQUID DISTRIBUTION SYSTEM

(57) Abstract

The present invention provides a liquid distribution system, which is useful in a number of contexts, including in accomplishing various synthetic, diagnostic and drug screening reactions. The distribution system can comprise an alpha reservoir (200A) and a beta reservoir (200B), a first set of parallel and adjacent first and second feeder channels (211A-211B) and a second set of parallel and adjacent third and fourth feeder channels (211C-211D) which are offset from the first and second feed channels (211A-211B), wherein (a) the first (211A) and third (211C) feeder channels are connected to the alpha reservoir (200A) via a first connector channel (211A) that is situated above or below the second (211B) and fourth feeder channels (211D) and are independent of the beta reservoir and (b) the second (211B) and fourth feeder channels (211D) are connected to the beta reservoir via a second connector channel (211B) that is situated above or below the first and third feeder channels (211A and 211C) and are independent of the alpha reservoir (200A). The distribution system is preferably a microscale distribution system. Various particular mechanisms for controlling flow into a liquid distribution system are described.



**FOR THE PURPOSES OF INFORMATION ONLY**

Codes used to identify States party to the PCT on the front pages of pamphlets publishing international applications under the PCT.

AT	Austria	GB	United Kingdom	MR	Mauritania
AU	Australia	GE	Georgia	MW	Malawi
BB	Barbados	GN	Guinea	NE	Niger
BE	Belgium	GR	Greece	NL	Netherlands
BF	Burkina Faso	HU	Hungary	NO	Norway
BG	Bulgaria	IE	Ireland	NZ	New Zealand
BJ	Benin	IT	Italy	PL	Poland
BR	Brazil	JP	Japan	PT	Portugal
BY	Belarus	KE	Kenya	RO	Romania
CA	Canada	KG	Kyrgystan	RU	Russian Federation
CF	Central African Republic	KP	Democratic People's Republic of Korea	SD	Sudan
CG	Congo	KR	Republic of Korea	SE	Sweden
CH	Switzerland	KZ	Kazakhstan	SI	Slovenia
CI	Côte d'Ivoire	LI	Liechtenstein	SK	Slovakia
CM	Cameroon	LU	Luxembourg	SN	Senegal
CN	China	LV	Latvia	TD	Chad
CS	Czechoslovakia	MC	Monaco	TG	Togo
CZ	Czech Republic	MD	Republic of Moldova	TJ	Tajikistan
DE	Germany	MG	Madagascar	TT	Trinidad and Tobago
DK	Denmark	ML	Mali	UA	Ukraine
ES	Spain	MN	Mongolia	US	United States of America
FI	Finland			UZ	Uzbekistan
FR	France			VN	Viet Nam
GA	Gabon				

## LIQUID DISTRIBUTION SYSTEM

This application relates to a method and system for manipulating fluids, which is useful in a number of contexts, including in accomplishing various synthetic, diagnostic and drug screening reactions.

- 5 More particularly, this invention relates to a system and method, which incorporates a layered array, for distributing reagent liquids while inhibiting the contamination or cross-contamination of these liquids.

Recently, a number of academic articles have focused on the problems associated with conducting chemical reactions on a micro-scale.

- 10 This literature has discussed the possibility of managing such reactions on wafer-sized solid supports that have been etched to create microchannels. Reactor systems of this scale could allow multiple diagnostic or drug screening assays to be conducted in a transportable device that uses small amounts of reagents, thus reducing supply and disposal costs.

- 15 One mechanism for developing new drugs not provided for by nature has been dubbed "rational" drug design. This process looks at the structures of biological macromolecules as determined by crystallography and at the structures of pharmacological agents known to interact with these macromolecules. With the use of computer workstations, it was hoped that
- 20 new pharmacological agents could be designed that had appropriately positioned functionalities for strongly interacting with the macromolecule. One difficulty with this approach is that growing crystals appropriate for crystallographic structural determinations is a tedious, empirical science. In many cases, it is unclear if appropriate crystals can be grown (for instance,
- 25 for the glycoprotein hormones such a chorionic gonadotropin or other glycoproteins). Another difficulty is that chemistry does not provide the malleable construction tools evoked by the phrase "design"; instead, chemical building blocks provide only a limited number of bond angles and lengths. For example, the structural routes by which a chlorine group might be positioned
- 30 in particular part of a drug-binding pocket in the macromolecule may be many, while the advantages or disadvantages of the ancillary structures needed to position this group are hard to "rationally" evaluate.

Combinatorial chemistry seeks to create its own "evolutionary" process that selects for compounds with the desired pharmacological activity. The key to making the process evolutionary is to generate large families of "mutants", in this case families of compounds with  
5 some chemical relatedness but with clear differences. The concepts of rational design may be taken advantage of in selecting the families of compounds to be explored by the combinatorial method.

Combinatorial chemistry seeks to generate new leads to classes of compounds that have potential pharmacological activity.  
10 Traditionally, such leads have been found by screening various plant or animal extracts for pharmacological activity. Such extracts are tedious to obtain, may have very small concentrations of potentially useful compounds, and at best only contain compounds selected by evolutionary pressures that may have nothing to do with the disease that is sought to be treated. After an  
15 extract has been identified, the process provides little information as to the identity of the active ingredient.

Combinatorial chemistry seeks to create the large, diverse family of compounds by permutation of a relatively limited set of building block chemicals. Preferably, the combinatorial method will create identifiable  
20 pools containing one or more synthetic compounds. These pools need not be identifiable by the chemical structure of the component compounds, but should be identifiable by the chemical protocol that created the compounds. These pools are then screened in an assay that is believed to correlate with a pharmacological activity. Those pools that produce promising results are  
25 examined further to identify the component compounds and to identify which of the component compounds are responsible for the results.

The follow-up protocol used to identify the active compounds in a combinatorial pool can also involve a combinatorial method. For instance, the promising pool could result from the reaction, first, of a mixture of  
30 compounds A, B and C, which compounds do not react with one another, with compounds D, E and F, which compounds do not react with one another but do react with compounds A, B or C. Second, the resulting compounds

are reacted with compounds G, H and I. To narrow the possible identity of the active compounds in the pool, the A-D, A-E, A-F, B-D, B-E, B-F, C-D, C-E and C-F products can be separately created by combinatorial chemistry and separately reacted with a the mixture of G, H and I. After this step, the  
5 sub-pool that is active in the screening assay generally will contain a more limited family of compounds.

Once promising molecules are identified by combinatorial chemistry, the identified molecules provide information that aides in the design of further combinatorial experiments. The full array of promising  
10 compounds identified by combinatorial chemistry can provide valuable information to guide traditional pharmaceutical chemistry efforts.

A popular tool in the emerging field of combinatorial chemistry is to attach the first chemical building blocks to solid support, typically a glass or polymeric support, such as the supports used in the well  
15 known Merrifield method for synthesizing polypeptides. This attachment provides a mechanism for quickly isolating product by simply washing away reactants and related impurities and decoupling the product from the support. In some cases, the support-coupled product can be assayed for pharmacological activity.

20 Miniaturization is usefully employed in combinatorial chemistry since: (i) workers generally seek compounds that are pharmacologically active in small concentrations; (ii) in creating a vast "evolutionary" assortment of candidate molecules it is preferable to have the numerous reactions well documented and preferably under the direction of a  
25 limited number of workers to establish reproducibility of technique; (iii) it is expensive to create a vast, traditionally-scaled synthetic chemistry complex for creating a sufficiently diverse family of candidate compounds; and (iv) substantial concerns are raised by the prospect of conducting assays of the products of combinatorial chemistry at more standard reaction scales.  
30 Miniaturization allows for the economic use of robotic control, thereby furthering reproducibility.

The wafer-sized devices described above can be ideal for

combinatorial chemistry, allowing for numerous synthetic chemistry reactions to be conducted substantially under computer control using only small quantities of reagents. However, the academic literature advocating such micro-scale devices has not adequately addressed fundamental issues in

5 conducting combinatorial chemistry at this scale: for instance, how does one manage to shuttle reagents through a complex microscale device and accomplish this without significant cross-contamination while allowing a complex assortment of different syntheses to occur in a large number of microscale reaction vessels (e.g., 100 to 10,000) in the device? The present

10 invention provides a microscale device that solves these issues.

#### **SUMMARY OF THE INVENTION**

The present invention provides a liquid distribution system, which is useful in a number of contexts, including accomplishing various synthetic, diagnostic and drug screening reactions. The distribution system

15 can comprise an alpha reservoir and a beta reservoir, a first set of parallel and adjacent first and second feeder channels and a second set of parallel and adjacent third and fourth feeder channels which are offset from the first and second feeder channels, wherein (a) the first and third feeder channels are connected to the alpha reservoir via a first connector channel that is situated

20 above or below the second and fourth feeder channels and are independent of the beta reservoir and (b) the second and fourth feeder channels are connected to the beta reservoir via a second connector channel that is situated above or below the first and third feeder channels and are independent of the alpha reservoir. The distribution system is preferably a

25 microscale distribution system.

#### **BRIEF DESCRIPTION OF THE DRAWINGS**

Figure 1 shows a system of channels for addressing any of one hundred reaction cells with any of four fluids.

Figure 2 displays a distribution plate according to the

30 invention.

Figure 3 displays an expanded view of a portion of the distribution plate of Figure 1.

**Figure 4A** shows a capillary barrier between a first distribution channel and a buffer channel.

**Figure 4B** shows a capillary barrier between a first distribution channel and a buffer channel and another capillary barrier  
5 between a buffer channel and a vertical channel.

**Figure 5** shows in three dimensions various cut-away views of the feedthrough plate, distribution plate and reaction cell plate of a distribution system of the invention.

**Figure 6A** shows a cross-section along an EW axis through a  
10 distribution channel.

**Figure 6B** shows a cross-section along an EW axis through a first reservoir.

**Figure 7** is a top view of a part of a distribution plate.

**Figure 8** shows a voltage pulse pattern used to power an  
15 electrode-based pump useful in the liquid distribution system of the invention.

**Figure 9** schematically illustrates a liquid distribution system of the preferential flow liquid distribution system.

**Figures 10A and 10B** show cross-sectional views of a liquid distribution system of the preferential flow liquid distribution system.

**Figure 11** shows a schematic top view of a liquid distribution  
20 system of the preferential flow liquid distribution system.

**Figure 12** shows a top view of a liquid distribution system of the expansion valve liquid distribution system.

**Figures 13A - 13C** show cross-sectional views of various  
25 embodiments of the expansion valve liquid distribution system

**Figure 14** shows a top view of a portion of an electrode-based liquid distribution system.

**Figures 15A and 15B** illustrate reaction cell designs.

**Figures 16A - 16D** show various capillary barrier designs.

**Figure 17** shows a device for conducting field assisted  
30 bonding of plates.

**Figures 18A and 18B** show a channel device having

electrode-based pumps.

Figure 19 shows a liquid distribution system design pursuant to the hydrologic liquid distribution system.

Figure 20 shows a reaction cell having a heater and a  
5 thermocouple.

Figures 21A and 21B show a valve design.

### DEFINITIONS

The following terms shall have the meaning set forth below:

- **addressable** a reaction cell or channel is "addressable" by a reservoir or another channel if liquid from the reservoir or other channel can be directed to the reaction cell or channel.
  
- 10 ● **adjacent** "adjacent" as used in these situations: (i) a first structure in one of the plates is adjacent to a second structure in the same or another plate if the vertical projection of the first structure onto the plate of the second structure superimposes the first structure on the second or places it within about 250  $\mu\text{m}$  of the second; and (ii) groupings of two or more channels are adjacent to one another if each channel is in substantially the same horizontal plane, and all but the outside two channels in the grouping are adjacent (in the sense defined in (i) above) to two neighbor channels in the grouping. Preferably, under item (i), a first structure is adjacent to a second structure if the vertical projection of the first structure onto the plate of the second structure superimposes the first structure on the second or places it within about 150  $\mu\text{m}$  of the second.



- **capillary dimensions** dimensions that favor capillary flow of a liquid. Typically, channels of capillary dimensions are no wider than about 1.5 mm. Preferably channels are no wider than about 500  $\mu\text{m}$ , yet more preferably no wider than about 250  $\mu\text{m}$ , still more preferably no wider than about 150  $\mu\text{m}$ .
- **capillary barrier** a barrier to fluid flow in a channel comprising an opening of the channel into a larger space designed to favor the formation, by liquid in the channel, of an energy minimizing liquid surface such as a meniscus at the opening. Preferably, capillary barriers include a dam that raises the vertical height of the channel immediately before the opening into the larger space.
- **connected** the channels, reservoirs and reaction cells of the invention are "connected" if there is a route allowing fluid between them, which route does not involve using a reaction cell as part of the link.
- **continuous flow channel** a channel having an overflow outlet allowing for fluid to continuously flow through the channel.
- **directly connected** reservoirs and horizontal channels are "directly connected" if they are connected and either (1) no other channel is interposed between them or (2) only a single vertical channel is interposed between them.

- **expansion valve** an expandable chamber, associated with a fluid channel, which chamber (a) is filled with a gas or a liquid with a boiling point within about 10°C of the intended operating temperature of the liquid distribution system and (b) has an associated heater element for heating the expandable chamber to boil the liquid or expand the gas to cause sufficient expansion of the expandable chamber to fill a cross-section of the fluid channel.
- **hole diameter** because techniques for fabricating small holes often create holes that are wider at one end than the other (for instance, about 50 microns wider), the hole diameter values recited to herein refer to the narrowest diameter.
- **horizontal, vertical, EW, NS** indications of the orientation of a part of the distribution system refer to the orientation when the device is in use. The notations "EW axis" and "NS axis" are in reference to Figures 1, 2, 3 and 7, where an EW axis goes from right to left and is perpendicular to the long axis of the page and a NS axis is from top to bottom parallel to the long axis of the page.
- **independent** channels, reservoirs or reaction cells that are not connected.
- **offset** two sets of channels are "offset" when none of the channels in the first such set is adjacent to any of the channels in the second set.

- **open zone** a region of a channel that widens to decrease the flow-induced pressure of a fluid flowing through the channel.
- **perpendicular** channels in the distribution plate are perpendicular even if primarily located on separate horizontal planes if their vertical projections onto the same horizontal plane are perpendicular.
- **reservoir** unless a different meaning is apparent from the context, the terms "reservoir" and "fluid reservoir" include the horizontal extension channels (sometimes simply termed "extensions") directly connected to the reservoir or fluid reservoir.
- **second reservoir** these extension channels include the distribution channels that may branch off of these extension channels.
- 5 ● **extension channels**
- **substantially the length of one of the horizontal dimensions** at least about 70% of one of the major horizontal dimensions (e.g. the EW or NS dimensions illustrated in the Figures) of the distribution plate.

- **U-plumbing channel** a channel designed to connect at least two channels or reservoirs such that the liquid level in one of the connected channels or reservoirs will equalize with the liquid level in the other connected channel or reservoirs due to hydrological forces. U-plumbing channels typically have vertical channels that connect channels or reservoirs located in a higher vertical plane with a substantially horizontal channel segment of the U-plumbing channel located in a lower plane -- these vertical and horizontal segments together comprise the U-plumbing channel. The feeder channels of the invention are typically U-plumbing channels.

#### **DETAILED DESCRIPTION**

One version of the invention is a hydrologic liquid distribution system comprising: a distribution plate comprising: a least two first  
5 reservoirs having a common first fill level; at least one feeder channel connected to and extending from each of the first reservoirs, each feeder channel having a horizontal feeder channel segment, wherein the top of the horizontal feeder channel segment is below the first fill level; at least one  
10 distribution channel connected to each feeder channel having a second fill level at substantially the same elevation as the first fill level; and a first liquid level maintaining means for maintaining the liquid level in each first reservoir at the first fill level, wherein filling each first reservoir to the first fill level results in the filling of the connected feeder channels and filling the connected  
15 distribution channels to the second fill level. The distribution channels preferably have at least one capillary barrier.

The distribution plate is preferably coupled with a feedthrough plate that fits above the distribution plate and provides channels or conduits to allow for the passage of liquids or electrical leads through to the distribution plate. A detachable reaction cell plate is preferably coupled

underneath the distribution plate and contains one or more, more preferably two or more, reaction cells into which liquids from at least two reservoirs may be distributed via the distribution plate. The reaction cell plate preferably contains about 100 or more reaction cells, each addressable by at least two  
5 reservoirs. More preferably the reaction cell plate contains about 1,000 or more reaction cells, each addressable by at least two reservoirs. Yet more preferably the reaction cell plate contains about 10,000 or more reaction cells, each addressable by at least two reservoirs.

The distribution plate preferably has multiple first reservoirs.  
10 The first reservoirs can have a primary reservoir portion and one or more first reservoir extension channels, which preferably together extend along substantially the length of one of the horizontal dimensions of the distribution plate. Two or more such extended first reservoirs are preferably adjacent and parallelly arrayed along one side of the distribution plate. In some  
15 embodiments, it is desirable to relay liquid from two or more of such parallel, extended first reservoirs to each of two or more reaction cells arrayed along a substantially straight line (the "linear" reaction cells). To accomplish this liquid relay, preferably a first feeder channel extends from the parallel first reservoir nearest the edge of the distribution plate and underneath the  
20 interiorly located parallel first reservoirs, while separate, feeder channels, located adjacent to and parallel to the first feeder channel, extend from the interiorly located parallel first reservoirs passing beneath other first reservoirs as needed to maintain the segregation of the liquids in the reservoirs. In this preferred embodiment, arrayed adjacent to the location of each of the linear  
25 reaction cells are one distribution channel for each such first reservoir, each such distribution channel connected to a separate one of the parallel feeder channels. Thus, the distribution channels located adjacent to a reaction cell form a "bundle" of distribution channels. Using pumps located in each of the bundled distribution channels and conduits from each bundled distribution  
30 channel to the adjacent reaction cell, liquid from each of the separate first reservoirs can be distributed to any of the linear reaction cells.

Each distribution channel preferably includes at least one

pump, which preferably comprises two or three electrodes. To operate the pumps in an appropriate sequence, the distribution system of the invention is preferably connected to a controller that controls each of the pumps. The preferred two electrode pumps preferably are operated by applying a pulsed  
5 voltage program appropriate for moving the liquid sought to be pumped. Preferably, the controller includes a data storage device comprising a database of pumping programs designating parameters, such as the pulse length, voltage amplitude, pulse shape and voltage polarity, suitable for moving each of a plurality of liquids.

10 The invention further relates to a preferential flow liquid distribution system, which is suitable, for example, for conducting reactions for chemical syntheses or chemical reactions involved in an assay, the distribution system comprising: two or more continuous flow channels, each having a upstream end and a downstream end, wherein the continuous flow  
15 channels have an open zone at the downstream end; for each continuous flow channel, a branch channel extending off of that continuous flow channel in the open zone; and, for each continuous flow channel, an alpha constrictor for constricting flow in the open zone, the alpha constrictor located downstream of the branch channel inlet, wherein when a liquid flows through  
20 one of the continuous flow channels from the first to the second end a first ratio amount of fluid is diverted into the branch channel when the alpha constrictor is not operating and a second ratio amount, which is greater than the first ratio amount, flows into the branch channel when the alpha constrictor is in operation. Preferably, the branch channel inlets are within  
25 about 300 microns of the upstream point at which the open zone begins. Preferably, the distribution system has, for at least one branch channel, a beta constrictor for constricting flow through the branch channel. In another preferred embodiment, the distribution system has a buffer channel addressable by at least two continuous flow channels via their associated  
30 branch channels.

The invention additionally relates to a expansion valve liquid distribution system made up of a reaction cell, two or more feeder channels, a

separate conduit for each feeder channel connecting that feeder channel to the reaction cell, and an expansion valve for each conduit, wherein the expansion valve has an expanded state that fills a cross-section of the conduit and prevents fluid flow through the conduit and a contracted state that  
5 allows fluid flow through the conduit. In a preferred embodiment, conduits have two or more, preferably three or more, expansion valves which can be operated in concert to pump liquid from the connected feeder channel into the reaction cell.

The invention further relates to an electrode-based liquid  
10 distribution system made up of (a) one or more, preferably two or more, feeder channels each made up of a feeder channel inlet and a feeder channel outlet and, connected to each such feeder channel, a distribution channel, each feeder channel having a three-way junction connecting a feeder channel inlet, a feeder channel outlet and the connected distribution channel, the  
15 distribution channel connecting with a reaction cell, (b) for each such three-way junction, a first electrode-based pump in the feeder channel inlet or in the feeder channel outlet and (c) for each such three-way junction, a second electrode-based pump in the distribution channel, wherein the voltages applied to the first electrode-based pump and the second  
20 electrode-based pump can be chosen (i) so that fluid in one of the feeder channels can be moved from the feeder channel inlet to the feeder channel outlet of the feeder channel without substantial flow into the connected distribution channel or (ii) so that a substantial amount of flow proceeds via the connected distribution channel.

25 **A. A Basic Liquid Distribution System**

The invention relates to methods of addressing a large number of reaction cells 350 with a plurality of fluid reservoirs 200 (see Figures 1 and 2). In figure 1, reservoirs 200A - 200D are connected to reservoir extension channels 212A - 212D via first connector channels 211A -  
30 211D, respectively. The ceilings of first connector channels 211A - 211D are located in a lower horizontal plane than the floors of extension channels 212A - 212D, thereby assuring, for instance, that fluid from reservoir 200B does

not leak into the extension channel 212A connected to reservoir 200A. Each first connector channel 211A - 211D connects with its respective reservoir extension 212A - 212D via vertical channels (not illustrated). Connected to extension channels 212A - 212D are first, second, third, fourth and fifth sets  
5 213A - 213E of first, second, third and fourth feeder channels 216A - 216D. The ceilings of these feeder channels are located in a horizontal plane beneath the floors of the extension channels 212A - 212D. Via these extension channels, fluid from each of the four first fluid reservoirs 200A - 200D can be brought to a location adjacent to any of the one hundred reaction cells 350  
10 into which the fluid can be moved under the control of pumps or valves as described hereinbelow. Note that reaction cells 350 are located in a lower horizontal plane than first, second, third and fourth feeder channels 216A - 216D. Other geometries by which a large number of reaction cells can be addressed by separated fluid reservoirs are described below.

15 Features of other distribution systems described in this application can be applied to this embodiment, irrespective of under which subheading they are described. It will be understood by those of ordinary skill that while the embodiments of the invention are described with reference to channels that join at orthogonal angles, other angles are possible. In  
20 preferred embodiments of the invention, the operational flow rate (i.e., the flow rate when the appropriate flow-inducing mechanisms are activated) from a given reservoir (e.g. first fluid reservoir 200) to a given reaction cell 350 is from about  $0.01\mu\text{l}/\text{min}$  to about  $10\mu\text{l}/\text{min}$ , more preferably from about  $0.1\mu\text{l}/\text{min}$  to about  $0.3\mu\text{l}/\text{min}$ .

## 25 **B. Hydrologic Liquid Distribution System**

### *i. the distribution, feedthrough and reaction cell plates*

Typically, the liquid distribution system of the invention will be formed of at least three plates, a feedthrough plate 300, a distribution plate 310 and a reaction cell plate 320. The feedthrough plate 300 is  
30 typically bonded to the distribution plate 310 using one of the methods described below. The reaction cell plate 320 is typically removably fitted to the underside of the distribution plate 310, or the underside of intermediate



plate 330 (not illustrated) interposed between the distribution plate 310 and the reaction cell plate 320.

Figure 2 shows the layout of a distribution plate 310 according to the invention. Figure 3 shows an expanded view of a portion of a distribution plate 310 that better illustrates some of the features obscured by the scale of Figure 2. Typically, the structures indicated in solid lines will be formed in the top layer of the distribution plate 310, while the structures indicated with dotted lines will be formed in the bottom layer of the distribution plate 310, except that in Figure 2 the reaction cells 350 are indicated by boxes in solid lines even though these structures are located in a lower plane. Where appropriate, vertical channels connect the structures in the top of the distribution plate 310 with those in the bottom. For convenience, the axis from the top of the illustration to the bottom is designated the NS axis, while the axis from right to left is the EW axis.

At the top of Figure 2 are four first fluid reservoirs 200A, 200B, 200C and 200D, each having a defined fill level. Each of these first fluid reservoirs 200A, 200B, 200C and 200D has two first reservoir extensions 212 extending along substantially all of an EW axis of the distribution plate 310. The ceilings of the first reservoir extensions 212 preferably are at substantially the same elevation as the first fill level. At five staggered locations, A1, B1, C1, D1 and E1, along the EW axis of the first reservoir extensions 212 there are four first vertical channels 214 (see Figures 5 and 6B) that connect the first reservoir extensions 212 with four first horizontal feeder channel segments 216 that are formed in the bottom layer of the distribution plate 310. At each staggered location A1, B1, C1, D1 or E1, four adjacent first horizontal feeder channel segments 216, which are connected to separate first reservoir extensions 212, extend along an NS axis to ten positions, A2, B2, C2, D2, E2, F2, G2, H2, I2 and J2. Each position A2, B2, C2, D2, E2, F2, G2, I2 or J2 along the course of each such set of four adjacent horizontal feeder channel segments 216 is adjacent to a pair of reaction cells 350 (see Figures 5 and 6B). At these positions A2, B2, C2, D2, E2, F2, G2, H2, I2, or J2, the four adjacent first horizontal feeder channel

segments 216 are separately connected, via separate second vertical channels 225 (see Figures 4A, 4B, 5 and 6A), to each of four perpendicular first distribution channels 222 formed in the top layer of the distribution plate 310. The ceilings of the first distribution channels 222 define a second fill level that is typically substantially the elevation of the first fill level. The fill level of a distribution channel (e.g., the second fill level) is "substantially" the fill level of the connected reservoir (e.g., the first fill level) if they are offset vertically by no more than about 10% of the depth of the channel; even if the fill levels are further offset vertically they are still substantially the same if filling the reservoir to its fill level results in filling the connected distribution channel and the retention of fluid in the connected distribution channel (for instance, retention due to the capillary barriers described further below with reference to Figure 4A). The combination of a first vertical channel 214, connected to a horizontal feeder channel segment 216, in turn connected to a second vertical channel 225 makes up a first feeder channel 217 (not identified in the Figures).

If liquids are maintained at a defined first level in a first fluid reservoir 200, then substantially the same level will be maintained in the first distribution channels 222 connected to that first fluid reservoir 200 via first feeder channels 217. This equalization occurs due to the principle that two connected bodies of liquid will tend to seek the same level and, where the size of the channels allows, due to capillary flow. Liquids are maintained at a defined level in the first fluid reservoirs. In the illustrated embodiment, liquid is fed into the fluid reservoir 200 through channels in the feedthrough plate 300 and such liquid that is not needed to fill the fluid reservoirs to the defined level is drained through drains 380. First openings 381 (not shown) are formed in the bottom layer of the feedthrough plate 300 to create a liquid connection or sluice between the first fluid reservoirs 200 and the drains 380. Liquids are constantly fed into the first fluid reservoirs 200 (as well as the second fluid reservoirs 210 and third fluid reservoirs 220) typically by the use of an external pump 15 (not shown), such as the model number 205U multichannel cassette pump available from Watson-Marlow, Inc.

Alternatively, a defined level can be maintained by monitoring the level of liquid in the first fluid reservoirs 200 (or second fluid reservoirs 210 or third fluid reservoirs 220) and only activating the pumps feeding liquid to a given fluid reservoir when needed to maintain the defined level.

5                    Each set of four adjacent first distribution channels 222 are adjacent to two buffer channels 218, located to each side of the first distribution channels 222 along the EW axis. Liquid can be pumped from any first distribution channel 222 into the adjacent buffer channel 218 by activating the first pump 360 (indicated in Figure 3 by two filled dots  
10 representing the electrodes of one type of pump) of the first distribution channel 222. This pumping creates additional pressure that moves the liquid over capillary barrier 370 (see Figures 4A, 4B and 5) separating the first distribution channel 222 and the buffer channel 218. Between each first distribution channel 222, second distribution channel 224 or third distribution  
15 channel 226 and the adjacent buffer channel 218 and between each buffer channel 218 and its adjacent third vertical channel 390 (described below) there is such a capillary barrier 370 that inhibits liquid flow when the pumps are not activated. Second openings 362 (see Figures 4A and 4B) are formed in the bottom layer of the feedthrough plate 300 to create a liquid connection  
20 or sluice between the first distribution channels 222 and the buffer channels 218. From a buffer channel 218, liquid can be pumped using a second pump 361 (indicated in Figure 3 by two filled dots representing the electrodes of one type of pump) to a third vertical channel 390 that connects with a reaction cell in the reaction cell plate 320. Third openings 363 (see Figures  
25 4A and 4B) in the bottom layer of the feedthrough plate 300 or the distribution plate 310 serve to create a liquid connection or sluice between the buffer channels 218 and third vertical channels 390.

Figure 4A illustrates a capillary barrier 370, at which a meniscus 371 forms, at the junction between a first distribution channel 222  
30 containing liquid 11 and either a buffer channel 218 or a third vertical channel 390. The meniscus 371 formed at the outlet of first distribution channel 222 into buffer channel 218 will tend to inhibit seepage from the first distribution

channel 222, such as the seepage that can result from capillary forces. Figure 4B shows, in a variation of the distribution system illustrated in Figures 2 and 3, capillary barriers 370 at the junction between first distribution channel 222 and buffer channel 218 and at the junction between buffer channel 218 and third vertical channel 390. Also shown are first electrode 360A and second electrode 360B making up first pump 360 and third electrode 361A and fourth electrode 361B making up pump 361. In some embodiments there are vents (not illustrated) that extend through the feedthrough plate 300 at the tops of buffer channel 218 or third vertical channel 390.

Note that only a small cut-away of NS oriented horizontal feeder channel segments 216 are shown in Figures 4A and 4B. Typically, these channels extend inwardly and outwardly from the illustrated cut-away and connect with additional first distribution channels 222 situated to distribute liquid to other reaction cells 350.

Along the right side of the distribution plate 310 are ten second fluid reservoirs 210, each having a second reservoir extension 240 extending along an EW axis. Second distribution channels 224 form "L"-extensions off of second reservoir extensions 240 and are each positioned adjacent to a separate buffer channel 218, such that there are ten second distribution channels 224 extending off of each second reservoir extension 240. Each second distribution channel 224 has a pump 360 that can move liquid from a second distribution channel 224 to the adjacent buffer channel 218. Second openings 362 (not shown) in the bottom of feedthrough plate 300 serve to provide a sluice or route of liquid connection between the second distribution channels 224 and the buffer channels 218. Liquid moves from the buffer channels 218 to the reaction cells as described above. Located adjacent to each second reservoir 210 is a drain 380 (not shown) that operates to maintain a defined third fill level as described above.

As will be described further below in Section H in reference to Figures 16A - 16D, the capillary barriers 370 and sluices created by the second openings 362 or third openings 363 act as a combined valve and

pump. The capillary barriers 370 prevent flow to the reaction cell, which flow would be favored by capillary forces, until the first pumps 360 or second pumps 361 provide the extra pressure needed to overcome the capillary barriers 370. Narrowing the sluices can increase the capillary forces favoring flow, thereby reducing the amount of added pressure needed to overcome the capillary barriers 370. The use of the capillary barriers 370 allows flow control to be governed by the first pumps 360 or second pumps 361, which are typically controlled by controller 10.

Located along the bottom edge of the distribution plate illustrated in Figure 1 are ten third liquid fluid reservoirs 220. Horizontal feeder channel segments 230 are connected to the third fluid reservoirs 220 and to third distribution channels 226 via fourth vertical channels 227. The third distribution channels 226 have first pumps 360 which can move liquid into adjacent buffer channels 218 via openings 362 (not shown) in the feedthrough plate 300. Located adjacent to each third fluid reservoir 220 is a drain 380 (not shown) that operates to maintain a defined fourth fill level as described above. Third fluid reservoirs 220 and connected third distribution channels 226 operate in just the same way as first fluid reservoirs 200 and first distribution channels 222. Those of ordinary skill in the art will readily envision alternative geometries wherein a number of separate third fluid reservoirs 220 can interact with a given buffer channel 218 via a number of third distribution channels 226 positioned adjacent to the buffer channel 218. Located adjacent to each third reservoir 220 is a drain 380 (not shown) that operates to maintain a defined third fill level as described above.

Figure 5 shows perspective views of portions of feedthrough plate 300, distribution plate 310 and reaction cell plate 320.

Figure 6A shows a vertical cross-section along an EW axis that slices through a first distribution channel 222. Underneath the first distribution channel 222 can be seen four horizontal feeder channel segments 216, only one of which is connected to the first distribution channel via visible second vertical channel 225. Leads 303 and 304 which connect the electrodes of the first pumps 360 and second pumps 361 are illustrated.

Third vertical channel 390 connects buffer channel 218 to reaction cell 350, which has a drain 355.

Figure 6B shows a vertical cross-section along an EW axis that slices through a first fluid reservoir 200. From first fluid reservoirs  
5 extensions 212 can be seen two first vertical channels 214 that each connect to a separate horizontal feeder channel segment 216. Drain 380 for first fluid reservoir 200 is indicated by dotted lines. In the illustrated distribution system, first fluid reservoir 200 opens to the top of feedthrough plate 300 via fourth openings 302.

10 The operation of the liquid distribution system can be described with reference to Figure 7. Liquid can be distributed to first reaction cell 350AA (not shown) connected to third vertical channel 390A from any of first, second or third fluid reservoirs 200A, 200B, 200C, 200D, 210A or 220A. If "liquid A" is maintained at first fluid level in fluid reservoir  
15 200A, liquid A will flow through the connected vertical channels 214 into the connected horizontal feeder channel segments 216A, 216A2, 216A3, 216A4 and 216A5 and into the connected distribution channels 222A1, 222A2, and so on. From first distribution channel 222A1, liquid A is pumped into first buffer channel 218AA using pump 360A under the control of controller 10  
20 (not shown). From first buffer channel 218AA, liquid A is pumped into first reaction cell 350AA via third vertical channel 390A using pump 361A under the control of controller 10.

When a distribution plate 310 according to the invention makes use of a buffer channel 218 and the buffer channel 218 lacks a vent to  
25 the outside atmosphere, the relationship between the pumping rate of a first pump 360 that pumps liquid into the buffer channel 218 and the pumping rate of a second pump 361 that pumps liquid from the buffer channel 218 to a reaction cell 350 can be manipulated to advantage. When a first pump 360 moves liquid from, for instance, distribution channel 222A1 (Figure 7), a  
30 pressure increase is created in buffer channel 218 which inhibits flow past the capillary barriers for distribution channels 222B1, 222C1, 222D1, 224AA and 226AA. A delay in the corresponding activation of second pump 361 will

result in this cross-contamination inhibiting pressure being maintained. The buffer channel 218 further serves to dilute any accidental overflows from distribution channels containing reagents not intended for the adjacent reaction cell 350. This dilution will typically reduce the concentration of reactive reagents beneath the concentration effective in the reaction process that is intended for the adjacent reaction cell 350.

Note that in the illustrated embodiment, each of six solutions or solvents can be distributed to each of one hundred reaction cells 350 from first, second and third fluid reservoirs 200A, 200B, 200C, 200D, 210 and 220. Each of the ten second fluid reservoirs 210, or each of the ten third fluid reservoirs 220, can contain a separate solution or solvent intended for use in the ten associated reaction cells that can be addressed by the fluid reservoir. The four first fluid reservoirs 200A, 200B, 200C and 200D each can address any of the one hundred reaction cells 350. Further flexibility is available by flushing a given fluid reservoir with a new solution or solvent when appropriate during a protocol.

Note that the buffer channels 218 are optional. Buffer channels 218 can be avoided by providing for direct conduits from the outlets of distribution channels (which outlets are preferably capillary barriers 370) to the appropriate reaction cell 350.

The fluid reservoirs (e.g. first, second and third fluid reservoirs 200, 210 and 220) are typically simply expanded (i.e. wider) portions of the attached extension channels. Preferably, the liquid in the fluid reservoirs is maintained within  $\pm 10\%$  of the difference between the floor of the fluid reservoir and its fill level. Replenishment of the liquid in the reservoirs can be continuous, step-wise on a defined schedule, or based on sensor data feed to controller 10. The drains 380 are designed to remove any excess fluid added to the reservoir by use of external pump 15. The fluid reservoirs, filled to the respective fill level, preferably have a volume from about  $1\ \mu\text{l}$  to about  $5\ \mu\text{l}$ , more preferably about  $0.25\ \mu\text{l}$ . Thus, in the more preferred embodiment, the volume in the fluid reservoirs will preferably be  $2.5\ \mu\text{l} \pm 0.25\ \mu\text{l}$ . Appropriate peristaltic pumps, such as the model number 205U

multichannel cassette pump available from Watson-Marlow, Inc., can deliver liquid at rates as low as 1  $\mu$ l per second. Such pumps need only be activated for a fraction of a second to adequately recharge a fluid reservoir.

The above discussion describes the distribution system as  
5 being formed with a feedthrough plate 300, distribution plate 310 and  
reaction cell plate 320. However, it will be clear that additional plates can  
conveniently be incorporated into the distribution system. For instance, a  
intermediate plate 330 is, in a preferred embodiment, permanently bonded  
underneath the distribution plate 310 and interposed between the distribution  
10 plate 310 and the reaction cell plate 320. The use of the intermediate plate  
330 allows for much greater flexibility in the design of the channels the form  
the distribution system.

ii. the pumps

15 Any pumping device of suitable dimensions can be used as  
the internal first pumps 360 or second pumps 361 in the liquid distribution  
system of the invention. Such pumps can include microelectromechanical  
systems (MEMS) such as reported by Shoji et al., "Fabrication of a Pump for  
Integrated Chemical Analyzing Systems," *Electronics and Communications in*  
20 *Japan, Part 2*, 70: 52-59, 1989 or Esashi et al., "Normally closed microvalve  
and pump fabricated on a Silicon Wafer," *Sensors and Actuators*, 20:  
163-169, 1989 or piezo-electric pumps such as described in Moroney et al.,  
"Ultrasonically Induced Microtransport," *Proc. MEMS*, 91: 277-282, 1991.  
Preferably, however, the first pumps 360 and second pumps 361 have no  
25 moving parts. Such first pumps 360 or second pumps 361 can comprise  
electrode-based pumps. At least two types of such electrode-based pumping  
has been described, typically under the names "electrohydrodynamic  
pumping" (EHD) and "electroosmosis" (EO). EHD pumping has been  
described by Bart et al., "Microfabricated Electrohydrodynamic Pumps,"  
30 *Sensors and Actuators*, A21-A23: 193-197, 1990 and Richter et al., "A  
Micromachined Electrohydrodynamic Pump," *Sensors and Actuators*,  
A29:159-168, 1991. EO pumps have been described by Dasgupta et al.,



"Electroosmosis: A Reliable Fluid Propulsion System for Flow Injection Analysis," *Anal. Chem.*, 66: 1792-1798, 1994.

EO pumping is believed to take advantage of the principle that the surfaces of many solids, including quartz, glass and the like, become  
5 charged, negatively or positively, in the presence of ionic materials, such as salts, acids or bases. The charged surfaces will attract oppositely charged counter ions in solutions of suitable conductivity. The application of a voltage to such a solution results in a migration of the counter ions to the oppositely  
10 charged electrode, and moves the bulk of the fluid as well. The volume flow rate is proportional to the current, and the volume flow generated in the fluid is also proportional to the applied voltage. Typically, in channels of capillary dimensions, the electrodes effecting flow can be spaced further apart than in EHD pumping, since the electrodes are only involved in applying force, and not, as in EHD, in creating charges on which the force will act. EO pumping  
15 is generally perceived as a method appropriate for pumping conductive solutions.

EHD pumps have typically been viewed as suitable for moving fluids of extremely low conductivity, e.g.,  $10^{-14}$  to  $10^{-9}$  S/cm. It has now been demonstrated herein that a broad range of solvents and solutions  
20 can be pumped using appropriate solutes than facilitate pumping, using appropriate electrode spacings and geometries, or using appropriate pulsed or d.c. voltages to power the electrodes, as described further below.

The electrodes of first pumps 360 and second pumps 361 used in the liquid distribution system preferably have a diameter from about  
25 25 microns to about 100 microns, more preferably from about 50 microns to about 75 microns. Preferably, the electrodes protrude from the top of a channel to a depth of from about 5 % to about 95 % of the depth of the channel, more preferably from about 25 % to about 50 % of the depth of the channel. Usually, as a result the electrodes, defined as the elements that  
30 interact with fluid, are from about 5 microns to about 95 microns in length, preferably from about 25 microns about to 50 microns. Preferably, a pump includes an alpha electrode 364 (such as first electrode 360A or third

electrode 361A) and a beta electrode 365 (such as third electrode 360B and fourth electrode 361B) that are preferably spaced from about 100 microns to about 2,500 microns apart, more preferably, from about 250 microns to about 1000 microns apart, yet more preferably, from about 150 microns to about 250 microns apart. The separation of electrodes is measured from the center points of the electrodes as they first protrude into their associated fluid channel. In a particularly preferred embodiment, a gamma electrode 366 (not shown) is spaced from about 200 microns to about 5,000 microns, more preferably from about 500 microns to about 1,500 microns, yet more preferably about 1,000 microns from the farther of the alpha electrode 364 and the beta electrode 365. In an alternative preferred embodiment, the pump has two additional electrodes comprising a gamma electrode 366 (not shown) and a delta electrode 367 that are spaced from about 200 microns to about 5,000 microns, more preferably from about 500 microns to about 1,500 microns, yet more preferably about 1,000 microns apart. Where the electrodes are located in fluid channels that have bends, the distances are measured along a line that defines the center line of the fluid channel. In contexts where relatively low conductivity fluids are pumped, voltages are applied across the alpha electrode 364 and the beta electrode 365, while in contexts where relatively more highly conductive fluids are pumped the voltage is induced between gamma electrode 366 and one of alpha electrode 364, beta electrode 365 or delta electrode 367. The latter circumstance typically applies for solvents traditionally pumped with EO pumping, although this invention is not limited to any theory that has developed around the concepts of EHD or EO pumping. No firm rules dictate which electrode combination is appropriate for a given solvent or solution; instead an appropriate combination can be determined empirically in light of the disclosures herein.

The voltages used across alpha and beta electrodes 364 and 365 when the pump is operated in d.c. mode are typically from about 50 V to about 2,000 V, preferably from about 100 V to about 750 V, more preferably from about 200 V to about 300 V. The voltages used across gamma

electrode 366 and alpha, beta or delta electrodes 364, 365 or 367 when the pump is operated in d.c. mode are typically from about 50 V to about 2,000 V, preferably from about 100 V to about 750 V, more preferably from about 200 V to about 300 V. The voltages used across alpha and beta electrodes 5 364 and 365 when the pump is operated in pulsed mode are typically from about 50 V to about 1,000 V, preferably from about 100 V and about 400 V, more preferably from about 200 V to about 300 V. The voltages used across gamma electrode 366 and the alpha, beta or gamma electrode 364, 365 or 367 when the pump is operated in pulsed mode are typically from about 50 V 10 to about 1,000 V, preferably from about 100 V and about 400 V, more preferably from about 200 V to about 300 V. Preferably, the ratio of pumping to current will be such that no more than about one electron flows into the solution adjacent to a first pump 360 or second pump 361 for every 1,000 molecules that move past the pump 360 or 361, more preferably for 15 every 10,000 molecules that move past the pump 360 or 361, yet more preferably for every 100,000 molecules that move past the pump 360 or 361.

It is believed that an electrode-based internal pumping system can best be integrated into the liquid distribution system of the 20 invention with flow-rate control at multiple pump sites and with relatively less complex electronics if the pumps are operated by applying pulsed voltages across the electrodes. Figure 8 shows an example of a pulse protocol where the pulse-width of the voltage is  $\tau_1$  and the pulse interval is  $\tau_2$ . Typically,  $\tau_1$  is between about 1  $\mu$ s and about 1 ms, preferably between about 0.1 ms and 25 about 1 ms. Typically,  $\tau_2$  is between about 0.1  $\mu$ s and about 10 ms, preferably between about 1 ms and about 10 ms. A pulsed voltage protocol is believed to confer other advantages including ease of integration into high density electronics (allowing for hundreds of thousands of pumps to be embedded on a wafer-sized device), reductions in the amount of electrolysis 30 that occurs at the electrodes, reductions in thermal convection near the electrodes, and the ability to use simpler drivers. The pulse protocol can also use pulse wave geometries that are more complex than the block pattern

illustrated in Figure 8.

Another procedure that can be applied is to use a number of electrodes, typically evenly spaced, and to use a travelling wave protocol that induces a voltage at each pair of adjacent electrodes in a timed manner that first begins to apply voltage to the first and second electrodes, then to the second and third electrodes, and so on. Such methods are described in Fuhr et al., *J. Microelectrical Systems*, 1: 141-145, 1992. It is believed that travelling wave protocols can induce temperature gradients and corresponding conductivity gradients that facilitate electric field-induced fluid flow. Such temperature gradients can also be induced by positioning electrical heaters in association with the electrode-based first pumps 360 and second pumps 361.

While not wishing to be restricted to theory, several theoretical concepts are believed to play a role in the mechanics of EHD pumping. The forces acting on a dielectric fluid are believed to be described by:

$$\vec{F} = q\vec{E} + \vec{P} \cdot \nabla \vec{E} - \frac{1}{2} E^2 \nabla \epsilon + \nabla \left[ \frac{1}{2} \rho \frac{\partial e}{\partial \rho} E^2 \right]$$

where  $F$  is the force density,  $q$  is the charge density,  $E$  is the applied field,  $P$  is the polarization vector,  $\epsilon$  is the permittivity and  $\rho$  is the mass density. Of the terms in the equation, the first and third are believed to be the most significant in the context of EHD pumping of fluids. The first term ( $qE$ ) relates to the Coulomb interaction with a space-charge region. The third term ( $\frac{1}{2} E^2 \nabla \epsilon$ ) relates to the dielectric force which is proportional to the gradient in permittivity.

In low fields, i.e., the Ohmic region where current is linearly proportional to voltage, the primary source of charges that will be acted upon by the electric field are believed to be primarily due to ions from additives, ions from impurities and ions formed by autodissociation of molecules in the fluid. In intermediate fields, i.e. from beyond the Ohmic region to about 2 V/ $\mu\text{m}$ , the charges are believed to be primarily formed by dissociation and

electrolytic processes in the fluid. In higher fields, the charges are believed to be determined by injection processes at the electrodes, which electrodes inject homocharges.

For the purposes of this application, positive (+) flow shall  
5 be flow in the direction of the negative electrode, and negative (-) flow shall be flow in the direction of the positive electrode.

In a preferred embodiment of the invention, the controller 10 has a device for storing data and stores the values of voltage and polarity suitable for pumping a number of solvents.

10 Experimental results indicate that the properties of fluid flow (like direction of flow) correlate well with the solvent's ability to stabilize and solvate the charged species injected or induced from the electrodes. The direction of flow is believed to be determined by the preference of the solvent to solvate either positive charges or negative ions. This solvation preference  
15 is believed to imply a greater shell of solvent molecules that will be dragged in an electric field, creating fluid movement, when a field is applied to the electrodes of a first pump 360 or a second pump 361. For example, a preferred solvation of positive charges correlates with a preference for fluid flow from the anode to the cathode (i.e., the positive direction). The degree  
20 of such a solvation preference for a solvent is believed to depend on the ability of the molecules within the solvent to accept or donate hydrogen bonds. In one aspect of the invention, for liquids whose pumping behavior has not yet been characterized, the controller will store initial pumping parameters estimated using on the Linear Solvation Energy relationships  
25 established by R.W. Taft and co-workers. See, Kamlet et al., *J. Org. Chem.*, 48: 2877-2887, 1983 and Kamlet et al., *Prog. Phys. Org. Chem.*, 13: 485, 1981. These workers have categorized solvents in terms of the following parameters:  $\pi$ , the ability of the solvent to stabilize a charge or dipole by virtue of its dielectric properties;  $\alpha$ , the hydrogen bond donating  
30 ability of the solvent; and  $\beta$ , the hydrogen bond accepting ability of the solvent. These parameters are more fully defined in the above-cited Kamlet et al. publications.

Using a one mm capillary of circular cross-section, a pair of 50 micron rod-shaped, platinum electrodes perpendicularly inserted to a depth of 500 microns into the capillary with a 500 micron separation powered by a 400 V field, the direction of flow was determined for several solvents. The direction of flow and the  $\alpha$ ,  $\beta$ ,  $\pi$ ,  $\epsilon$  and dipole moment values are as follows:

Solvent	direction	$\alpha$	$\beta$	$\pi$	$\epsilon$	dipole moment
ethanol	-	0.83	0.77	.54	24.55	1.69
tetrahydro-furan	+	0	0.55	.58	7.58	1.75
chloroform	-	0.44	0	.58	4.806	1.01
acetone	+	0.08	0.48	.71	20.7	2.69
methanol	-	0.93	0.62	.6	32.7	2.87
2-propanol	+/-	0.76	0.95	.48	19.92	1.66
acetonitrile	+	0.19	0.31	.75	37.5	3.92
N-methyl-pyrrolidone	+	0	0.77	.92	32.0	4.09
diethyl ether	+	0	0.47	0.27	4.335	1.15
1,2 dichloro ethane	-	0	0	0.81	10.36	1.2
DMF	+	0	0.69	.88	36.71	3.86

It is believed that the  $\alpha$  and  $\beta$  values reflect the ability of the solvent under an electric field to solvate a negative or positive charged species, with the magnitude of  $\alpha - \beta$  correlating with (-) flow, and the magnitude of  $\beta - \alpha$  correlating with (+) flow. According to one aspect of the invention, the preferred direction of flow of a liquid can be reversed from that predicted as above if the fluid has a difference in  $\alpha$  and  $\beta$  values that is small but not zero and the electrode pair used creates an asymmetric field, such that the acting force on either positive or negative charged species is enhanced. One such electrode pair has an alpha electrode 364 with a sharp point pointing in the direction of intended flow and a beta electrode 365 that

lines the walls of the channel in which it is located. Such an electrode-based pump, fabricated in a 1 mm capillary, has been shown to be effective to pump 2-propanol in the direction pointed to by the alpha electrode 364 either when the voltage applied to the electrodes implied a (-) direction of flow or, with somewhat weaker flow, when the voltage applied to the electrodes implied a (+) direction of flow.

The pumping parameters of a liquid can be calibrated using a plug of the liquid disposed in a capillary that has an electrode-based pump and is angled uphill. If optical devices are associated with the capillary for monitoring the position of the plug, the velocity of pumped flow uphill and the velocity of gravity driven downhill motion can be measured. With these velocities and the angle of the capillary, the pressure applied to the liquid can be calculated. (Fluid resistance,  $R = (8 \cdot \mu \cdot l) / \pi r^4$ , where  $\mu$  defines viscosity and  $l$  = the length of the fluid plug; Pressure,  $P = RA(v_{up} - v_{down})$ , where  $A$  = cross-sectional area). The efficiency of the pump can also be calculated ( $\eta = (q \cdot \rho \cdot Q \cdot N_A) / m \cdot I$ , where  $q$  = charge of  $e^-$ ,  $\rho$  = density of liquid,  $Q$  = flow rate =  $v_{up} \cdot A$ ,  $m$  = mass of liquid, and  $I$  = current). The velocities can be measured with multiple single point observations of the location of either the front or rear interfaces of the plug using fixed LEDs and optical detectors or in a continuous mode using a light and a silicon photodiode position sensor, such as a SL15 or SC10 position sensor available from UDT Sensors, Inc., Hawthorne, CA. With the latter method, the correlation between the signal produced at the difference amplifier connected to the position sensor must be calibrated prior to experimental use.

The pumping parameters for a number of solvents have been determined in the 1 mm capillary described above, as follows:

Solvent	Flow rate, Q $\mu\text{l}/\text{sec}$	Pressure, P $\text{N}/\text{m}^2$	electrical efficiency, $\eta$ , molecules/ $e^-$
acetone	14.56	16.33	$1.9 \times 10^6$
methanol	24.46	26.32	$9.7 \times 10^4$
1-propanol	16.39	74.89	$4.2 \times 10^5$
5 diethyl ether	18.44	20.45	$5.8 \times 10^8$
1,2 dichloroethane	14.24	46.55	$2.9 \times 10^7$

Another aspect of pumping is the observation that fluids that are resistant to pumping at a reasonable field strength can be made more susceptible to electrode-based pumping by adding a suitable flow-enhancing additive. Preferably, the flow-enhancing additive is miscible with the resistant fluid and can be pumped at high pressure, P, high flow rate, Q, and good electrical efficiency,  $\eta$  (i.e., molecules pumped per electron of current). Generally, the flow-enhancing additive comprises between about 0.05 % w/w and about 10 % w/w of the resistant fluid, preferably between about 0.1 % w/w and about 5 % w/w, more preferably between about 0.1 % w/w and about 1 % w/w. Carbon tetrachloride and cyclohexane do not pump using the electrode pump situated in a capillary described above at a voltage of 2,000 V. By adding 0.5 % w/w acetone or methanol as a flow-enhancing additive, both of these fluids can be pumped at a voltage of 1,000 V. In some cases, it is desirable to reverse the preferred flow direction of a liquid by mixing with it a flow-enhancing additive that strongly pumps in the desired direction. In all cases, additives are selected on the basis of their pumping characteristics and their compatibility with the chemistries or other processes sought to be achieved in the liquid distribution system.

The electrode-based pumps of the invention can be operated to as a valve to resist flow in a certain direction by operating the pumps to counter the unwanted flow. To power the electrode-based pumps, one or more digital drivers, consisting of, for example, a shift register, latch, gate and switching device, such as a DMOS transistor, permits simplified electronics so that fluid flow in each of the channels can be controlled



independently. Preferably, each digital driver is connected to multiple switching devices that each can be used to control the pumping rate of a separate electrode-based pump.

Features of other distribution systems described in this application can be applied to this embodiment, irrespective of under which subheading they are described.

### **C. Preferential Flow Liquid Distribution System**

Another embodiment of the distribution system wherein a plurality of microscaled reaction cells can be separately addressed by a number of reagent liquids uses a continuous flow system is illustrated schematically in Figure 9. Features of other distribution systems described in this application can be applied to this embodiment, irrespective of under which subheading they are described.

Figure 9 illustrates a first continuous flow channel 400A, a second continuous flow channel 400B, a third continuous flow channel 400C and a fourth continuous flow channel 400D, each continuous flow channel having an upstream end U and a downstream end D. Fluid can be pushed through first through fourth continuous flow channels 400A-400D with the assistance of one or more external pumps 171. Third pumps 460 (not shown), which can be electrode-based pumps, can provide further pumping within the first through fourth continuous flow channels 400A-400D. Constricted zones 401A-401D at the upstream end of the first through fourth continuous flow channels 400A-400D have a first cross-sectional area. Open zones 402A-402D at the downstream end of the first through fourth continuous flow channels 400A-400D have a second cross-sectional area that is greater than the first cross-sectional area. At the upstream end of the open zones 402A-402D, are first branch channel 410A, second branch channel 410B, third branch channel 410C and fourth branch channel 410D, respectively. Each of these branch channels 410A-410D preferably has a smaller cross-sectional area than that of the open zones 402A-402D and each flows into a buffer channel 440. In the open zones 402A-402D, there are first alpha constrictor 420AA, second alpha constrictor 420AB, third alpha

constrictor 420AC, and fourth alpha constrictor 420AD, respectively.

A constrictor, such as an alpha constrictor, can be a micromachined valve or transducer that is thermally, electromagnetically or pressure actuated, an electrode-based pump operating in flow-blocking mode,  
5 or another constrictor recognized in the art. Constrictors operate to reduce flow at a portion of a channel, or, preferably, to shut off flow.

The downstream outlets of the continuous flow channels 400A-400D connect with a common bypass 430 which connects to first drain 431A and second drain 431B.

10 Branch channels 410A-410C have a first beta constrictor 420BA, second beta constrictor 420BB, third beta constrictor 420BC and fourth beta constrictor 420BD, respectively. From buffer channel 440, there extends a reaction cell conduit 442, a first buffer overflow 441A and a second buffer overflow 441B. Reaction cell conduit 442 has a gamma  
15 constrictor 420C. First and second buffer overflows 441A and 441B have first delta constrictor 420DA and second delta constrictor 420DB, respectively.

When a "liquid A" flows through first continuous flow channel 400A and first alpha constrictor 420AA is not in operation, liquid A  
20 will tend to flow to the common bypass 430 via the open zone portion of the first continuous flow channel 400A having relatively large cross-sectional area rather than flow through relatively narrow branch channel 410A. First beta constrictor 420BA can be operated to restrict or block flow in branch channel 410A, further assuring greater flow through to the common bypass 430. To  
25 direct liquid A to the reaction cell 350, first alpha constrictor 420AA is operated, while first beta constrictor 420BA is not, resulting in greater flow into first branch channel 410A. The entry of liquid A into buffer channel 440 can result in the application of upward pressure at second through fourth branch channels 410B-410D, depending upon the rate of outflow through  
30 reaction cell conduit 442 or first or second buffer overflows 441A or 441B. This pressure can be used to inhibit cross contamination with fluids from second, third or fourth continuous flow channels 400B-400D.

All constrictors 420 preferably can operate to stop liquid flow in their respective channels, particularly first through fourth beta constrictors 420BA through 420BD and gamma constrictor 420C.

Figure 10A shows a cross-sectional view of continuous flow channel 400A operated to direct flow into branch channel 410A, while Figure 10B illustrates the continuous flow channel 400A operated to direct flow into the common bypass 430. A reaction cell 350 and a reaction cell drain 355 are also illustrated.

Figure 11 shows how the first through fourth continuous flow channels 400A-400D can be connected to a larger grid having first through fourth primary feed channels 470A-470D. First through fourth primary feed channels 470A-470D are located on a higher or lower horizontal plane than first through fourth continuous flow channels 400A-400D, allowing the two sets of channels to be interconnected. In one preferred embodiment, the inlets of each of first through fourth continuous flow channels 400A-400D have third pumps 460 (not illustrated) that facilitate drawing fluid from the first through fourth primary feeder channels 470A-470D.

#### D. Expansion Valve Liquid Distribution System

The expansion valve liquid distribution system has a reaction cell, two or more feeder channels, a separate conduit connecting each feeder channel to the reaction cell, and an expansion valve for each conduit, wherein the expansion valve has an expanded state that fills a cross-section of the conduit and prevents fluid flow through the conduit and a contracted state that allows fluid flow through the conduit. This embodiment differs from other embodiments in that the distribution system is preferably constructed of plastic, rather than glass or a silicon-based material. Preferred plastics include polyethylene, polypropylene, liquid crystal engineering plastics, polyvinylidene fluoride and polytetrafluoroethylene. Plastics with low moisture vapor transmission rates (e.g., polyethylene, polyvinylidene fluoride and polytetrafluoroethylene) are particularly preferred. Laminates such as a laminate of polyethylene and a polyester such as poly(ethyleneterephthalate)

are also preferred for their vapor barrier properties. The channels or conduits of this embodiment are preferably as described below in Section I, which describes fabrication methods. However, this embodiment can more readily be used with larger scale features, such as larger channels and reaction cells.

- 5 Features of other distribution systems described in this application can be applied to this embodiment, irrespective of under which subheading they are described.

Figure 12 shows a schematic having fifth through eighth primary supply channels 580A through 580D, respectively. Fifth primary supply channel 580A connects to first alpha feeder channel 570A1, second alpha feeder channel 570A2, and so on. Sixth through eighth primary supply channels, 580B through 580D, respectively, are also connected to feeder channels. Focusing on second alpha feeder channel 570A2, second beta feeder channel 570B2, second gamma channel 570C2 and second delta feeder channel 570D2, these are each connected to a number of alpha distribution channels 500A, beta distribution channels 500B, gamma distribution channels 500C and delta distribution channels 500D, respectively. For instance, second alpha feeder channel 570A2 is connected to eleventh alpha distribution channel 500A11, twelfth alpha distribution channel 500A12, and so on. Sets of four distribution channels 500, e.g. eleventh alpha distribution channel 500A11, eleventh beta distribution channel 500B11, eleventh gamma distribution channel 500C11, and eleventh delta distribution channel 500D11, are connected to a given reaction cell 350, e.g., reaction cell 350.

- 25 As illustrated below, each distribution channel 500 has an expansion valve which can be activated to block flow from the feeder channels 570 into the reaction cell 350 connected via the distribution channel 500. In one preferred embodiment, fluid in the primary supply channels 580 and feeder channels 570 is maintained a constant pressure using upstream pumps and downstream pressure release valves.

30 Figure 13A shows a cross-section through eleventh alpha distribution channel 500A11. Three of the plates that form the distribution

system, first plate 591, second plate 592 and third plate 593, are illustrated. Second alpha feeder channel 570A2, second beta feeder channel 570B2, second gamma feeder channel 570A2 and second delta feeder channel 570 D2 can be formed in a molding process used to form first plate 591. Eleventh  
5 alpha distribution channel 500A11 is primarily formed with parts of first plate 591 and second plate 592 and can be formed during the molding process used to form these plates. The portion 501A11 of eleventh alpha distribution channel 500A11 connecting to second alpha feeder channel 570A2 can be formed using a drilling process, such as a laser drilling process. The portion  
10 502A11 (see Fig. 13B) of eleventh alpha distribution channel 500A11 that connects to reaction cell 350B1 is typically formed during the molding of second plate 592. Expansion valve 580 includes a low modulus, elastomeric film 581 such as a hydrocarbon elastomer, acrylonitrile-based elastomer or polyurethane films, which films include natural latex films, ethylene-propylene  
15 rubber and acrylonitrile-butadiene-styrene copolymer films. The elastomeric film can, for example, be bonded to the substrate using an adhesive such as a thermal setting acrylic, polyurea or polysulfide adhesive or it can be bonded by thermal compression bonding or ultrasonic welding. Elastomeric film 581 covers a fluid chamber 582 that is filled with a gas, such as air or argon, or  
20 with a low-boiling liquid, such as freon or another refrigerant. Situated sufficiently near fluid chamber 582 is an heating element 583, which is preferably controlled by controller 10. The heating element 583 functions to heat the gas or liquid in fluid chamber 582 to cause the expansion of the expansion valve 580. Reaction cell 350B1 has a drain 355B1.

25 Heating elements 583 can be any number of heating devices known to the art including electrical resistance heaters and infrared light sources, including infrared diode lasers, such as edge-emitting diode laser arrays available from David Sarnoff Research Center, Princeton, NJ or the 1300 nm or 1590 nm lasers available from LaserMax Inc., Rochester, NY. If  
30 the heating element 583 is an infrared light source, the materia that intervenes between the heating element 583 and the fluid chamber 583 preferably transmits at least about 50%, more preferably 80%, of the infrared

light from the heating element 583.

Figure 13B shows a comparable version of a cut-away view of eleventh alpha distribution channel 500A11 where the expansion valve 580 is positioned differently.

5                   Figure 13C shows a cut-away of a preferred embodiment where eleventh alpha distribution channel has a first expansion valve 580A, a second expansion valve 580B and a third expansion valve 580C. These three valves can be operated sequentially to create a pumping force that moves liquid into the reaction cell 350B1. For instance, at time one, eleventh  
10 distribution channel 500A11 is filled with a liquid and first expansion valve 580A is expanded. At time two, first expansion valve 580A remains expanded and second expansion valve 580C begins to expand, pushing liquid into the reaction cell 350B1. At time three, second expansion valve 580B remains expanded and first expansion valve 580A begins to contract drawing  
15 liquid from second alpha feeder channel 570A2 to fill the volume formerly occupied by the expanded valve. Also at time three, third expansion valve 580C begins to expand, forcing liquid to flow into reaction cell 350B1. At time four, third expansion valve 580C remains expanded and second expansion valve 580B begins to contract at the about the same time first  
20 expansion valve 580A begins to expand. At time five, first expansion valve 580A is expanded, while the other two expansion valves, 580B and 580C, are contracted, setting the stage for a new pumping cycle.

#### E. Electrode-based Liquid Distribution System

Figure 14 shows a top view of a liquid distribution system of  
25 the electrode-based liquid distribution system showing how channels from a number of feeder channels, e.g., alpha through delta feeder channels 670A through 670D, respectively, can connect to a fifth vertical channel 628 that connects to a given reaction cell 350.

In Figure 14, alpha feeder channel 670A, beta feeder channel  
30 670B, gamma feeder channel 670C and delta feeder channel 670D connect to alpha first distribution channel 622A, alpha second distribution channel 624A, beta second distribution channel 624B, and beta first distribution

channel 622B, respectively. Alpha first distribution channel 622A, alpha second distribution channel 624A, beta second distribution channel 624B, and beta first distribution channel 622B have an alpha first electrode-based pump 660A, a beta first electrode-based pump 660B, a gamma first  
5 electrode-based pump 660C and a delta first electrode-based pump 660D, respectively. The alpha first distribution channel 622A connects to fifth vertical channel 628 via alpha second connector channel 623A and alpha third connector channel 625A. The beta first distribution channel 622B connects to fifth vertical channel 628 via beta second connector channel  
10 623B and beta third connector channel 625B. Note that alpha second and beta second connector channels 623A and 623B are in a lower plane than their connected alpha first distribution channel 622A and beta first distribution channel 622B, respectively. Alpha second distribution channel 624A and beta second distribution channel 624B each connect directly with  
15 fifth vertical channel 628.

Note that the "N" portions (indicated in the figure) of alpha, beta, gamma and delta feeder channels 670A-670D, respectively, are referred to as the "feeder channel inlets", while the "S" portions are referred to as the "feeder channel outlets". The inlets of alpha, beta, gamma and delta feeder  
20 channels 670A-670D, have an alpha second electrode-based pump 667A, a beta second electrode-based pump 667B, a gamma second electrode-based pump 667C and a delta second electrode-based pump 667D, respectively. The outlets of alpha, beta, gamma and delta feeder channels 670A-670D, have an alpha third electrode-based pump 668A, a beta third electrode-based  
25 pump 668B, a gamma third electrode-based pump 668C and a delta third electrode-based pump 668D, respectively. The voltages used to operate the three electrode-based pumps in the channels that form the three-way junctions (made up of a feeder channel inlet, a feeder channel outlet and a distribution channel) can be adjusted to either allow flow into the distribution  
30 channel or to block flow into the distribution channel. Preferably, at each three-way junction, each electrode of the first electrode-based pump 660, second electrode-based pump 667 and third electrode-based pump 668 that

is nearest the junction is connected to a common voltage source or ground.

In a preferred embodiment, capillary barriers, for instance located at the four junctions (unnumbered) with fifth vertical channel 628 can be used to limit unintended flow into fifth vertical channel 628. In another  
5 preferred embodiment, the alpha and beta first distribution channels 622A and 622B and the alpha and beta second distribution channels 624A and 624B have narrower channel widths than their connected feeder channels 670, so that flow through the distribution channels 622 or 624 is less favored than flow through the feeder channels 670, particularly when the first  
10 electrode-based pump 660 in the distribution channels are operated to pump against the unwanted flow. Preferably, one or more of the distribution channels (e.g., alpha first distribution channel 622A) have a channel width at the opening with the three-way junction that is about 50% or less of the width the connected feeder channel 670, more preferably the width is about  
15 40% or less of the width the connected feeder channel 670.

Features of other distribution systems described in this application can be applied to this embodiment, irrespective of under which subheading they are described.

#### F. Controller

20 The controller 10 will typically be an electronic processor. However, it can also be a simpler device comprised of timers, switches, solenoids and the like. The important feature of controller 10 is that it directs the activity of the first pumps 360 and second pumps 361 and, optionally, the activity of external pumps 171. A circuit of thin film transistors (not  
25 shown) can be formed on the liquid distribution system to provide power to the wells via leads and electrodes, and to connect them with the driving means such as the controller 10, so as to move liquids through the array. Pins can also be formed substrate which are addressable by logic circuits that are connected to the controller 10 for example.

#### 30 G. Reaction Cells and Reaction Cell Plate

Reaction cells 350 are typically depressions formed in the upper layers of a reaction cell plate 320. The drain 355 to a reaction cell 350



can be open at the bottom of the reaction cell 350, in which case drainage is controlled kinetically and by negative pressure from the connected channels. Alternatively, the drain 355 may be adjacent to the reaction cell 350 and open at a height greater than the height of the floor of the reaction cell 350, as illustrated in Figure 15A. In Figure 15A, drain 355 is connected to reaction cell 350 by sluice 351. In this case, flushing volumes, which are substantial volumes relative to the volume of the reaction cell but minuscule in absolute amount, are passed through the reaction cell 350 to remove all of a given reactant previously directed into the reaction cell 350. In another alternative, the reaction cell 350 is connected to a alpha first horizontal drain channel 356A and beta first horizontal drain channel 356B, having an alpha drain pump 357A and beta drain pump 357B, respectively, which can be an electrode-based pumps, as illustrated in Figure 15B. The alpha and beta first horizontal drain channels 356A and 356B can be connected to alpha vertical drain channel 358A and beta vertical drain channel 358B, which in turn are connected to an alpha and beta second horizontal drain channel 359A and 359B, respectively. Alpha and beta second horizontal drain channel 359A and 359B open into the alpha drain 355A and beta drain 355B. The alpha and beta pumps 357 are operated under the control of the controller 10, which operates the pumps as appropriate to drain the reaction cell 355. Note that this latter drainage structure includes a form of a capillary barrier 370. Where alpha and beta pumps 357A and 357B are electrode-based pumps, one can be operated so that a - flow would drain the reaction cell 350 and the other so that a + flow would drain the reaction cell 350. In this way, no matter what the flow preference of the liquid in the reaction cell 350, one drain mechanism would push fluid out of the reaction cell 350, while the other merely pushed a limited volume of fluid into the reaction cell 350, yielding a net draining effect.

Another way by which the reaction cell 350 can be controllably drained is to use a bottom drain 355 having an outlet channel that has constrictor, such as one of the constrictors described above with reference to the second preferred embodiment.

Drains are optional, since in some uses the amount of liquid moved into a reaction cell 350 is less than the reaction cell's volume. If drains are absent, however, vents are required. Vents for the reaction cells 350 are appropriate in other contexts.

5                   The reaction cell plate can be reversibly bonded to the next higher plate by, for instance, assuring that the two surfaces are smoothly machined and pressing the two plates together. Or, for example, a deformable gasket, such as a teflon, polyethylene or an elastomeric film (such as a natural rubber, ABS rubber, or polyurethane elastomer film) gasket is  
10 interposed between the plates. One way to maintain a force adhering the plates against the gasket is to have a number of vacuum holes cut through the bottom plate and the gasket and applying a vacuum at these locations. Generally, the seal should be sufficient so that the pump used to form the vacuum can be shut down after initially forming the vacuum. The gasket is  
15 preferably from about 0.0x5 mils to about 1 mil, more preferably from about 0.1 mils to about 0.3 mils in thickness.

Fluid exiting the bottom of the reaction cell plate 320 can, for instance, simply collect in a catch pan or it can diffuse into a porous substrate such a sintered glass, glass wool, or a fabric material. Alternately,  
20 a fifth plate 340 is attached to the underside of the reaction cell and has channels that connect the outlets of the reaction cells 350 to individual collection reservoirs from which fluid can be sampled. For instance, the fifth plate 340 is wider than the reaction cell plate 320 and the collection reservoirs are located at the top surface of the fifth plate 340 in the area not  
25 covered by the reaction cell plate 320.

Preferably, synthetic processes conducted in the reaction cells 350 of the liquid distribution system will take place on insoluble supports, typically referred to as "beads", such as the styrene-divinylbenzene copolymerizate used by Merrifield when he introduced solid phase peptide  
30 synthetic techniques. Merrifield, *J. Am. Chem. Soc.* 85: 2149, 1963. See, also Barany et al., "Recent Advances in Solid-Phase Synthesis," in *Innovation and Perspectives in Solid Phase Synthesis: Peptides, Polypeptides, and*

*Oligonucleotides*, Roger Epton, Ed., collected papers of the 2nd International Symposium, 27-31 August, 1991, Canterbury, England, p. 29. These supports are typically derivatized to provide a "handle" to which the first building block of an anticipated product can be reversibly attached. In the

5 peptide synthesis area, suitable supports include a p-alkoxybenzyl alcohol resin ("Wang" or PAM resin) available from Bachem Bioscience, Inc., King of Prussia, PA), substituted 2-chlorotriyl resins available from Advanced Chemtech, Louisville, KY, and polyethylene glycol grafted poly styrene resins (PEG-PS resins) are available from PerSeptive Biosystems, Framingham, MA or

10 under the tradename TentaGel, from Rapp Polymere, Germany. Similar solid phase supports, such as polystyrene beads, are also used in the synthesis of oligonucleotides by the phosphotriester approach (see Dhristodoulou, "Oligonucleotide Synthesis: Phosphotriester Approach," in *Protocols for Oligonucleotide Conjugates*, S. Agrawal, Ed., Humana Press, N.J., 1994), by

15 the phosphoramidite approach (see Beaucage, "Oligodeoxynucleotide Synthesis: Phosphoramidite Approach," in *Protocols for Oligonucleotide Conjugates*, S. Agrawal, Ed., Humana Press, N.J., 1994), by the H-phosponate approach (see Froehler, Oligodeoxynucleotide Synthesis: H-Posponate Approach," in *Protocols for Oligonucleotide Conjugates*, S.

20 Agrawal, Ed., Humana Press, N.J., 1994), or by the silyl-phosphoramidite method (see Damha and Ogilvie, Oligodeoxynucleotide Synthesis: "Silyl-Phosphoramidite Method," in *Protocols for Oligonucleotide Conjugates*, S. Agrawal, Ed., Humana Press, N.J., 1994). Suitable supports for oligonucleotide synthesis include the controlled pore glass (cpg) and

25 polystyrene supports available from Applied Biosystems, Foster City, CA. Solid supports are also used in other small molecule and polymeric organic syntheses, as illustrated in oligocarbamate synthesis for organic polymeric diversity as described by Gorden et al., *J. Medicinal Chem.* 37: 1385-1401, 1994.

30 Preferably, the reaction cells 350 are rectangular with horizontal dimensions of about 400 microns to about 1200 microns, more preferably about 500 microns to about 1000 microns, yet more preferably

about 640 microns, and a depth of about 200 microns to about 400 microns. Where beads will be used in the reaction cells 350, the depth of the reaction cells 350 is preferably at least about 50 microns greater than the swelled diameter of the beads. The support beads typically used as in solid-phase  
5 syntheses typically have diameters between about 50 microns and about 250 microns, and reactive site capacities of between about 0.1 mmoles/g and about 1.6 mmoles/g. Typically, between about 1 and about 10 of such beads are loaded into a reaction cell 350 to provide a desired capacity of between about 1 nmole and about 10 nmole per reaction cell 350. Recently, beads  
10 have become available that have a diameter that ranges between about 200 microns and about 400 microns, depending on the solvent used to swell the beads and the variation in size between the individual beads, and a reactive site capacity of between about 5 nmole and about 20 nmole per bead have become available. These large beads include the beads sold by Polymer  
15 Laboratories, Amhearst, MA. Desirable reactive site functionalities include halogen, alcohol, amine and carboxylic acid groups. With these large beads, preferably only one bead is loaded into each reaction cell 350.

Another option for creating a solid support is to directly derivatize the bottom of the reaction cell 350 so that it can be reversibly  
20 coupled to the first building block of the compound sought to be synthesized. The chemistry used to do this can be the same or similar to that used to derivatize controlled pore glass (cpg) beads and polymer beads. Typically, the first step in this process is to create hydroxyl groups (if they do not already exist on the support) or amino groups on the support. If hydroxyl groups  
25 exist or are created, they are typically converted to amino groups, for instance by reacting them with gamma-aminopropyl triethoxy silane. Flexible tethers can be added to the amino groups with cyclic acid anhydrides, reactions with polymerized alkylene oxides and other methods known to the art. Examples of such methods are described in Fields et al., "Synthetic  
30 Peptides: A User's Guide," W.H. Freeman and Co., Salt Lake City, UT, 1991.

Methods of creating reactive sites include, for the case where the reaction cell plate 320 is made of plastic, exposing the bottom of

the reaction cells 350 to a reactive plasma, such as that created by a glow-discharge in the presence of ammonia or water, to create  $\text{NH}_2$  groups. Such procedures are described in "Modification of Polymers," Carraher and Tsuda, eds., American Chem. Soc., Washington, DC, 1980. Another  
5 method, useful with glass, ceramic or polymeric substrates, is depositing a film of silicon monoxide by vapor deposition at low temperature to create hydroxyl functionalities. Glass surfaces can be treated with alkali, for instance with KOH or NaOH solutions in water or water/alcohol mixtures, to expose hydroxyl functional groups. Non-annealed borosilicate glass surfaces,  
10 including coatings of non-annealed borosilicate glass created by chemical vapor deposition, can be etched, for instance with hydrofluoric acid dissolved in water, to dissolve the regions that are rich in boron, which process creates a porous structure with a large surface area. This porous structure can be treated with alkali to expose hydroxyl groups. The degree of reactive site  
15 substitution on such surfaces is preferably at least about 83 nmoles per  $\text{cm}^2$ , more preferably at least about 124 nmoles per  $\text{cm}^2$  (implying a substitution in 500 micron by 500 micron reaction cell 350 of at least about 0.31 nmole), yet more preferably at least about 256 nmoles per  $\text{cm}^2$ .

The above described methods for using the bottom of the  
20 reaction cells 350 as a solid support can be supplemented by methods that increase the surface area of the bottom of the reaction cells 350. One method is to create columnar structures of silicon monoxide, for instance by thermal evaporation of  $\text{SiO}_x$ . Another such method is to insert into the reaction cells fabrics, such as non-woven glass or plastic (preferably fiberglass  
25 or polypropylene fiber) fabrics and plasma treating the fabric to create reactive sites.

Another method uses spin-on glass, which creates a thin film of nearly stoichiometric  $\text{SiO}_2$  from a sil-sesquioxane ladder polymer structure by thermal oxidation. Sol-gel processing creates thin films of glass-like  
30 composition from organometallic starting materials by first forming a polymeric organometallic structure in mixed alcohol plus water and then careful drying and baking. When the sol-gel system is dried above the critical

temperature and pressure of the solution, an aerogel results. Aerogels have chemical compositions that are similar to glasses (e.g. SiO<sub>2</sub>) but have extremely porous microstructures. Their densities are comparably low, in some cases having only about one to about three percent solid composition,  
5 the balance being air.

#### H. Capillary barriers

Capillary barriers have been described above with reference to Figures 4A and 4B. However, more complex design considerations than were discussed above can, in some cases, affect the design of the capillary  
10 barrier. In some cases it is desirable to narrow the sluice formed by second opening 362 or third opening 363 to increase the impedance to flow (i.e., the frictional resistance to flow) as appropriate to arrive at an appropriate flow rate when the associated first pump 360 or second pump 361 is activated. Such a narrowing is illustrated by comparing the sluice of Figure 16A with the  
15 narrowed sluice of Figure 16D. The problem that this design alteration can create is that narrower channels can increase capillary forces, thereby limiting the effectiveness of channel breaks.

Thus, in one preferred embodiment, a channel break further includes one or more upwardly oriented sharp edges 369, as illustrated in  
20 Figures 16B and 16C. More preferably, a channel break includes two or more upwardly oriented sharp edges 369. In Figure 16B, portion 362A of opening 362 is cut more deeply into first plate 300 to create an open space useful for the operation of upwardly oriented sharp edges 369.

#### I. Fabrication of Plates, Channels, Reservoirs and Reaction Cells

25 The liquid distribution systems of the invention can be constructed a support material that is, or can be made, resistant to the chemicals sought to be used in the chemical processes to be conducted in the device. For all of the above-described embodiments, the preferred support material will be one that has shown itself susceptible to microfabrication  
30 methods that can form channels having cross-sectional dimensions between about 50 microns and about 250 microns, such as glass, fused silica, quartz, silicon wafer or suitable plastics. Glass, quartz, silicon and plastic support

materials are preferably surface treated with a suitable treatment reagent such as a siliconizing agent, which minimize the reactive sites on the material, including reactive sites that bind to biological molecules such as proteins or nucleic acids. As discussed earlier, the expansion valve liquid distribution system is preferably constructed of a plastic. In embodiments that require relatively densely packed electrical devices, a non-conducting support material, such as a suitable glass, is preferred. Corning borosilicate glass, and Corning 7740 borosilicate glass, available from Corning Glass Co., Corning, NY, are among the preferred glasses.

10                   The liquid distribution system of the invention is preferably constructed from separate plates of materials on which channels, reservoirs and reaction cells are formed, and these plates are later joined to form the liquid distribution system. This aspect of the invention is described in some detail with respect to the hydrologic liquid distribution system. Preferably, 15 the reaction cell plate, e.g. reaction cell plate 320, is the bottom plate and is reversibly joined to the next plate in the stack. The other plates forming the distribution system, which preferably comprise two to three plates are preferably permanently joined. This joiner can be done, for instance, using adhesives, or techniques such as glass-glass thermal bonding.

20                   One preferred method of permanently joining the plates is to first coat the plate with a layer of glass glaze generally having a thickness between about 50 microns and about 500 microns, more preferably between about 75 microns and about 125 microns. The above thicknesses contemplate that substantial amounts of channel structure will be formed in 25 the glaze layer. Otherwise, the glaze generally has a thickness between about 1 microns and about 100 microns, more preferably between about 10 microns and about 25 microns. These methods are preferably applied to join glass plates. Suitable glazes are available from Ferro Corp., Cincinnati, OH. The glazed plate is treated to create channels, reservoirs, or reaction cells as 30 described below. The glazed plate is positioned against another plate, which preferably is not glazed, and the two plates are heated to a temperature of about the softening temperature of the glaze or higher, but less than the

softening temperature for the non-glaze portion of the plates.

Another preferred method of permanently joining glass plates uses a field assisted thermal bonding process. It has now been discovered that glass-glass sealing using field assist thermal bonding is possible despite  
5 the low conductivity of glass if a field assist bonding material is interposed between the plates to be bonded.

To the top or bottom surface of one glass plate a layer of a field assist bonding material is applied. Preferably, the field assist bonding material layer has a thickness between about 50 nm and about 1,000 nm,  
10 more preferably, between about 150 nm and about 500 nm. The field assist bonding material can be a material capable of bonding glass substrates using the method described herein. Preferably, the field assist bonding material is silicon or silica. More preferably, the field assist bonding material is silicon.

The field assist bonding material can be applied to a plate, for  
15 instance, by chemical vapor deposition or by a sputtering process where surface molecules are emitted from a cathode when the cathode is bombarded with positive ions from a rare gas discharge and the surface molecules collide with and bond to a nearby substrate. Pursuant to the present invention, silicon layers of between about 150 nm and about 500 nm  
20 thickness have been bonded to glass plates under conditions that can be expected to generate an outer surface layer of silicon dioxide, such as an about 20Å layer, although the sealing process is believed to be effective in the absence of this layer. The coated plate is treated, as needed, to create channels, reservoirs, or reaction cells using the method described below.  
25 Alternatively, the plate was so treated prior to coating with the field-assist bonding material. The coated plate is then positioned against another plate, which preferably is not coated, and placed in a field assisted bonding device 700 such as that illustrated in Figure 17. The field assisted bonding device 700 has a heating device 710, such as a heating plate. The field assisted  
30 bonding device 700 further has an electrode 720 and a ground 730 that allows a voltage to be applied across the first plate 740 and the second plate 750, to which has been applied a layer of silicon 760. Arrows 770 indicate



the electric field orientation. Generally, the field assisted bonding is conducted under a normal atmosphere.

The plates are brought to a temperature that is effective, when an appropriate electric field is applied across the plates, to accelerate

5 the bonding process. While not wishing to be bound by theory, it is believed that the combination of a cathode applied to the first glass plate 740 and the greater exchange-site mobility of ions (such as sodium ions) caused by the elevated temperature causes an ion depletion on the face of the first glass plate 740 opposite that to which the cathode is applied. The ion depletion, it

10 is believed, causes a surface charge at the bottom surface of first glass substrate 740, which correlates with the creation of a strong localized electrostatic attraction for the second substrate 750. It is clear that this process creates strong bonding between the substrates and, it is believed that this is due to the formation of chemical bonds between the silica of the first

15 glass substrate 740 and the silicon coated onto the second glass substrate 750. Preferably, the temperature is brought to from about 200°C to about 600 °C, more preferably from about 300°C to about 450°C. During the process an voltage typically from about 200 V to about 2,500 V, preferably from about 500 V to about 1500 V, is applied across the first glass plate 740

20 and second glass plate 750. The voltage most suitably applied varies with the thickness of the glass plates. The voltage pulls the first glass plate 740 and second glass plate 750, including the silicon layer 760 applied to one of the plates, into intimate contact. Typically, hermetic sealing is achieved within minutes to about an hour, depending on the planar dimensions of the

25 glass plates. The time required to achieve adequate sealing varies with, among other things, the smoothness of the plates, the electrical field strength, the temperature, and the dimensions of the plates. Bonding between the plates is typically apparent visually, since it is accompanied by the disappearance of the interface between the plates and the formation of

30 gray color at the bonded regions that can be seen when an observer looks through the thinner dimensions of the two plates.

The method described above can be used to bond a glass

substrate to another glass substrate and to a third glass substrate simultaneously.

Those of ordinary skill will recognize that while a hot plate is illustrated as providing the heating for the thermal assisted bonding, other heating devices, including ovens, may be used. It will also be realized that it is desirable to match, when possible, the coefficients of thermal expansion of the substrates to be bonded.

The reservoirs, reaction cells, horizontal channels and other structures of the fluid distribution system can be made by the following procedure. A plate, that will for instance make up one of feedthrough plate 300, distribution plate 310, reaction cell plate 320 or intermediate plate 330, is coated sequentially on both sides with, first, a thin chromium layer of about 500Å thickness and, second, a gold film about 2000 angstroms thick in known manner, as by evaporation or sputtering, to protect the plate from subsequent etchants. A two micron layer of a photoresist, such as Dynakem EPA of Hoechst-Celanese Corp., Bridgewater, NJ, is spun on and the photoresist is exposed, either using a mask or using square or rectangular images, suitably using the MRS 4500 panel stepper available from MRS Technology, Inc., Acton, MA. After development to form openings in the resist layer, and baking the resist to remove the solvent, the gold layer in the openings is etched away using a standard etch of 4 grams of potassium iodide and 1 gram of iodine (I<sub>2</sub>) in 25 ml of water. The underlying chromium layer is then separately etched using an acid chromium etch, such as KTI Chrome Etch of KTI Chemicals, Inc., Sunnyvale, CA. The plate is then etched in an ultrasonic bath of HF-HNO<sub>3</sub>-H<sub>2</sub>O in a ratio by volume of 14:20:66. The use of this etchant in an ultrasonic bath produces vertical sidewalls for the various structures. Etching is continued until the desired etch depth is obtained. Vertical channels are typically formed by laser ablation.

The various horizontal channels of the distribution system embodiments typically have depths of about 50 microns to about 250 microns, preferably from about 50 microns to about 100 microns, more preferably from about 50 microns to about 80 microns. The widths of the

horizontal channels and the diameters of the vertical channels are typically from about 50 microns to about 200 microns, preferably from about 100 microns to about 200 microns, more preferably from about 120 microns to about 150 microns.

5 **J. Fabrication of Electrode-Based Pumps**

In many embodiments, the liquid distribution systems of the invention require the formation of numerous electrodes for pumping fluids through the liquid distribution system. These electrodes are generally fabricated in the top glass plate of the liquid distribution system. Typically  
10 each pair of electrodes is closely spaced (e.g. 50 to 250 microns separation). The electrodes are fabricated with diameters of preferably about 25 microns to about 150 microns, more preferably about 50 microns to about 75 microns. In preferred embodiments, the liquid distribution system has 10,000 reaction cell 350 with each reaction cell 350 having 6 - 10 associated  
15 electrode-based pumps. Thus, a liquid distribution system can require about 200,000 to about 300,000 electrodes. To produce such structures using mass production techniques requires forming the electrodes in a parallel, rather than sequential fashion. A preferred method of forming the electrodes involves forming the holes in the plate (e.g., feedthrough plate 300) through  
20 which the electrodes will protrude, filling the holes with a metallic thick film ink (i.e., a so-called "via ink", which is a fluid material that sinters at a given temperature to form a mass that, upon cooling below the sintering temperature, is an electrically conductive solid) and then firing the plate and ink fill to convert the ink into a good conductor that also seals the holes  
25 against fluid leakage. The method also creates portions of the electrodes that protrude through the plate to, on one side, provide the electrodes that will protrude into the liquids in fluid channels and, on the other side, provide contact points for attaching electrical controls.

For example, holes are drilled in 500 micron thick plates of  
30 borosilicate glass using an excimer laser. Holes having diameters between 50 and 150 microns are then filled with thick film inks, using an commercial Injection Via-fill Machine (Pacific Trinetics Model #VF-1000, San Marcos,

CA). It has been unexpectedly discovered that only select formulations of via inks sufficiently function to fill such high aspect ratio holes such that the fired ink adheres to the sides of the holes, does not crack during the firing process, and seals the holes against fluid flow. One parameter that is important to so  
5 forming sealed, conductive conduits through high aspect holes is selecting metal powder and glass powder components for the via ink that have sufficiently fine dimensions. One suitable formulation uses: 12-507 Au powder (Technic Inc., Woonsocket, RI), 89.3 % w/w; F-92 glass (O. Hommel Co., Carnegie, PA), 5.7 % w/w; 15 % w/v ethyl cellulose N-300  
10 (N-300, Aqualon, Wilmington, DE) in Texanol™ (monoisobutarate ester of 2,2,4-trimethyl-1,3-pentandiol, Eastman Chemical Products, Kingsport, TN), 2.4% w/w; 15 % w/v Elvacite 2045™ (polyisobutyl methacrylate) in Terpeneol T-318 (mixed tertiary terpene alcohols, Hercules Inc., Wilmington, DE), 2.1 % w/w; and Duomeen TDO™ (N-tallow alkyl trimethylenediamine  
15 oleates, Akzo Chemicals, Chicago, IL), 0.5 % w/w. The gold powder from Technic, Inc. has an average particle diameter of 0.9 microns. Another suitable formulation uses: Ag Powder Q powder (Metz, South Plainfield, NJ), 80.8 % w/w; F-92 glass (O. Hommel Co. Carnegie, PA), 5.2 % w/w; VC-1 resin (37% w/w Terpeneol T-318, 55.5% w/w butyl carbitol, 7.5% w/w  
20 ethylcellulose N-300, Aqualon, Wilmington, DE), 3.7 % w/w; 15 % w/v ethyl cellulose N-300 in Texanol™, 4.0% w/w; 15 % w/v Elvacite 2045™ (polyisobutyl methacrylate) in Terpeneol T-318, 4.1 % w/w; Duomeen TDO™, 0.6 % w/w; and Terpeneol, 1.6 % w/w. These formulations were fired at 550°C to form high aspect ratio conductive conduits.

25                   When the size of the glass or metal powders increases, good filling properties (lack of cracking, good sealing against liquids, good adherence to sides of hole) can often still be obtained by decreasing the amount of organic in the via ink.

                  The devices used to insert via inks into holes in a plate  
30 typically include a metal stencil with openings corresponding to the openings in the plate. Via ink is applied above the stencil, which rests on the plate, and a bladder device is used to pressurize the ink to force it to fill the holes.

After filling, the plate with its via ink-filled holes is removed for further processing, as described below.

Prior to firing, much of the organic component is evaporated away by, for example, placing the ink-filled plate in a oven (e.g. at 100 °C) for one to five minutes. Preferably, the firing is conducted at a temperature from about 450°C to about 700°C, more preferably from about 500°C to about 550°C. However, the upper end of the appropriate firing temperature range is primarily dictated by the temperature at which the plate being treated would begin to warp. Accordingly, with some types of plates much higher temperatures could be contemplated.

To assure that there is conductive material that protrudes above and below the glass plate after firing, the top and bottom surface of the plate can be coated with a sacrificial layer of thicknesses equaling the length of the desired protrusions. The sacrificial layers can be applied before or after the holes are formed in the plate. If before, then the holes are formed through both the glass plate and the sacrificial layers. If after, then (a) corresponding openings through the sacrificial layers can be created by creating a gas pressure difference from one side of the plate to the other, which pressure difference blows clear the sacrificial material covering the holes or (b) such openings through at least the top sacrificial layer are created when the pressure of the ink pushes through the sacrificial layer and into the holes (leaving an innocuous amount of sacrificial layer material in the holes). An appropriate sacrificial layer burns away during the firing process.

Sacrificial layers can be made coating a plate with, for instance, 5 - 25 w/w % mixtures of ethyl cellulose resin (e.g., Ethyl Cellulose N-300, Aqualon, Wilmington, DE) dissolved in Terpeneol T-318™ or Texanol™, or 5 - 50 % w/w mixtures of Elvacite 2045™ in Terpeneol T-318™. After firing, the surfaces of the electrode can be enhanced plating metals, such as nickel, silver, gold, platinum, rhodium, etc. The depositions can be performed using standard electrolytic and/or electroless plating baths and techniques.

Preferably, where a plate that is to contain etched openings will be processed to include electrodes, the etching occurs first, followed by

coating with the sacrificial layer and forming the electrode holes.

In an alternate method of manufacture, for each pump, two or more metal wires, for example gold or platinum wires about 1-10 mils in diameter, are inserted into the openings in the channel walls about, e.g., 150  
5 microns apart. The wires were sealed into the channels by means of a conventional gold or platinum via fill ink made of finely divided metal particles in a glass matrix. After applying the via fill ink about the base of the wire on the outside of the opening, the channel is heated to a temperature above the  
10 flow temperature of the via fill ink glass, providing an excellent seal between the wires and the channel. The via ink, which is used to seal the holes, can be substituted with, for instance, solder or an adhesive.

#### I. Miscellaneous Features

In the case where the temperature of a particular well is to be monitored or changed, a means of heating or cooling the well is built into  
15 the well, as will be further explained below with reference to Fig. 20. The first well 36 in this example has deposited on its bottom surface a thin film 57 of a suitable metal oxide, such as tin oxide or indium tin oxide. The thin film 57 is connected by means of an electrically conductive metal connection  
20 58 to the end or outer edge of the well 36. The tin oxide coating 57 serves as a heater element for the well 36. The sides of the well 36 have a surface bimetal film 59 and leads 60, suitably made of chromel-alumel alloys, forming a thermocouple to measure the temperature in the well when a source of current is applied to the tin oxide coating 57 and to the leads 58. A voltage applied to the well 36 via electrodes 56 deposited on the backside as shown  
25 regulates the temperature in the well. The amount of current applied can be regulated by the controller 10 in response to the temperature measured through the leads 60.

In some applications of the liquid distribution system a significant vapor pressure may develop in reaction cell 350, causing a back  
30 pressure into the distribution plate 310. Thus preformed valves 70 (see Figure 21A) formed of bimetallic materials as described by Jerman et al, "Understanding Microvalve Technology", Sensors, September 1994 pp 26-36

can be situated in third vertical channel 390. These materials have a thermal expansion mismatch. When the temperature in the reaction cell 350 is low, the ball valve 62 is in its normal position permitting free flow of fluids into the well 36 (see Figure 21A). As the temperature in the well 36 increases, the ball valve 62 moves to a cooler position (Figure 21B) blocking the third vertical channel 390 to isolate the reaction cell 350, thereby preventing fluids from passing into and out of the first well 36. Alternatively, a conventional check valve having a bearing, such as a bearing made of quartz or polytetrafluoroethylene polymer can be used to isolate the reaction cell 350. Where it is important to have the capability to have fluid flow counter to the direction established by the check valve, the check valve can have an insulating or magnetic bearing, which can be moved to allow such counter-flow with externally applied electrostatic-or magnetic fields.

## 15 **EXAMPLES**

### **Example 1 - Liquids pumped with a simple electrode-based pump**

Using the 1 mm capillary with a two electrode-pump described above in Section B.ii., a number liquids have been tested, including the following solvents:

Solvent	Flow direction	voltage applied
N-methyl-pyrrolidinone (NMP)	+	1470
Dimethyl formamide (DMF)	+	390
Dichloromethane (DCM)	-	686
Methanol (MeOH)	-	489
Isopropanol (IPA)	+	
Acetone	+	
Acetonitrile	+	

The following solutions in NMP, at 0.1M unless otherwise indicated, have

been tested:

Reagent	Flow direction
trans-4-(trifluoromethyl)- cinnamic acid	-
5-benzimidazolecarboxylic acid	-
N,N-dicyclohexylcarbodiimide	+
isobutylamine	+
2-(1H-benzotriazole-1-yl)- 1,1,3,3-tetramethyluronium hexafluorophosphate (HBTU)	No flow at 0.1M, flow occurs lower concentrations (0.01 - 0.1M)

The following solutions in DMF, all at 0.1M excepting piperidine, which was 20% v/v, have been tested:



	Reagent	Flow direction*
	p-carboxybenzenesulfonamide	- P
	4-fluorophenylacetic acid	- P
	4-methoxyphenylacetic acid	- P
5	m-trifluoromethylbenzoic acid	- P
	3-(4-methoxyphenyl)propionic acid	-
	4-bromocinnamic acid	- P
	terephthalic acid	- P
10	isophthalic acid	- P
	1,3-phenylenediacetic acid	- P
	1,4-phenylenediacetic acid	- P
	3-(4-carboxyphenyl) propionic acid	- P
15	1,4-phenylenedipropionic acid	- P
	4,4'-oxybis (benzoic acid)	- P
	4,4'-dicarboxybenzophenone	- P
	piperidine	+
	1,3-diisopropylcarbodiimide	+
20	allylamine	+
	butylamine	+
	isoamylamine	+
	propylamine	+
	isobutylamine	+
25	cyclohexylamine	+
	heptylamine	+
	benzylamine	+
	phenylamine	+ P
	3-amino-1-propanol	+ P
30	2-aminoethanol	+

	Reagent	Flow direction*
	4-(aminomethyl) pyridine	+ P
	4-(2-aminoethyl) morpholine	+ P
	1-(3-aminopropyl) imidazole	+
	triphenylphosphine	+
5	4-(aminopropyl) morpholine	+
	9-fluorenemethanol	+
	p-nitrobenzyl alcohol	+
	p-(methylthio) benzyl alcohol	-
	o-aminobenzyl alcohol	+
10	2-methoxybenzyl alcohol	+
	2-(trifluoromethyl) benzyl alcohol	+
	2-amino-3-phenyl-1-propanol	+ P
	diethylazodicarboxylate	- P
	4-dimethylaminopyridine	+ P
15	carbazole	+
	azobenzene	+
	3,4-dihydroxybenzoic acid	- P
	4-methylmorpholine N-oxide	+
	3-cyanobenzoic acid	No flow
20	4-nitrophenylacetic acid	No flow, at 0.1M, flow occurs lower concentrations (0.01 - 0.1M)
	2-(1H-benzotriazole-1-yl)-1,1,3,3-tetramethyluronium hexafluorophosphate (HBTU)	No flow, at 0.1M, flow occurs lower concentrations (0.01 - 0.1M)
25	2,3-dichloro-5,6-dicyano-1,4-benzquinone	+ weak
	tetrapropylammonium perruthenate	No flow

Reagent	Flow direction <sup>*</sup>
l-oxo-2,2,6,6-tetramethylpiperdinium chloride	No flow
5-benzimidazolecarboxylic acid	N.D. <sup>δ</sup>
4-(aminomethyl) benzoic acid	N.D.
4-(aminomethyl) benzoic acid	N.D.
N,N-diisopropylethylamine	N.D.
isobuylamine	N.D.
glutathione (SH)	N.D.

<sup>\*</sup> Those directional indicators ("+" or "-") followed by a "P" indicate that flow was achieved using a pulsed voltage program pursuant to Figure 8, where  $\tau_1 = 0.1 - 1$  ms and  $\tau_2 = 3.0 - 10$  ms.

<sup>δ</sup> "N.D.", in this table and the tables below, indicates either that the solute was immiscible with the solvent or that visual inspection suggested that it had decomposed.

The following solutions in DCM, at 0.1M unless otherwise indicated , have been tested:

Reagent	Flow direction*
allylamine	-
5 butylamine	-
cyclohexylamine	-
1-(3-aminopropyl) imidazole	-
diethylazodiacboxylate	-
TP Palladium	-
10 isobutylamine	-
isoamylamine	-
propylamine	-
1-(3-aminopropyl)imidazole	-
p-carboxybenzenesulfonamide	N.D.
15 2-(1H-benzotriazole-1-yl)- 1,1,3,3-tetramethyluronium hexafluorophosphate (HBTU)	N.D.

20 Those directional indicators ("+" or "-") followed by a "P" indicate that flow was achieved using a pulsed voltage program pursuant to Figure 8, where  $\tau_1 = 0.1 - 1$  ms and  $\tau_2 = 3.0 - 10$  ms.

The following solutions in methanol, all at 0.1M, have been tested:

Reagent	Flow direction*
4-fluorophenylacetic acid	-
9-fluorene-methanol	- P
5 p-(methylthio) benzyl alcohol	-
(R) sec-phenethyl alcohol	-
3-cyanobenzoic acid	No flow
4-nitrophenylacetic acid	- weak
allylamine	No flow
10 2-aminoethanol	No flow
2-(1H-benzotriazole-1-yl)- 1,1,3,3-tetramethyluronium hexafluorophosphate (HBTU)	N.D.
isobutylamine	N.D.
15 isomylamine	N.D.

\* Those directional indicators ("+" or "-") followed by a "P" indicate that flow was achieved using a pulsed voltage program pursuant to Figure 8, where  $\tau_1 = 0.1 - 1$  ms and  $\tau_2 = 3.0 - 10$  ms.

#### Example 2 - An electrode-pump based preferential flow system

A channel system was fabricated on two inch by two inch by 20 mil plates of 211 Corning glass (Corning Glass Co., Corning, NY) to confirm that liquids can be switched to a desired flow pathway by controlling the voltages applied to certain electrode-based pumps. As illustrated in Figures 18A and 18B, first channel 804 (2,600  $\mu\text{m}$  long by 150  $\mu\text{m}$  wide by 100  $\mu\text{m}$  deep), second channel 805 (550  $\mu\text{m}$  long by 100  $\mu\text{m}$  wide by 100  $\mu\text{m}$  deep), third channel 806 (800  $\mu\text{m}$  long by 275  $\mu\text{m}$  wide by 100  $\mu\text{m}$  deep), fourth channel 807 (200  $\mu\text{m}$  long by 100  $\mu\text{m}$  wide by 100  $\mu\text{m}$  deep), fifth channel 808 (550  $\mu\text{m}$  long by 100  $\mu\text{m}$  wide by 100  $\mu\text{m}$  deep) and sixth channel 809 (2,600  $\mu\text{m}$  long by 150  $\mu\text{m}$  wide by 100  $\mu\text{m}$  deep) were fabricated on channel plate 810 (not shown). Also fabricated on the channel

plate 810 were first well 800A, second well 800B and third well 800C, which were connected by the channels. An electrode plate 820 was overlaid and sealed to the channel plate 810 by field assisted thermal bonding. The electrode plate 820 had openings into first well 800A and second well 800B  
5 (not illustrated). Third well 800C included a center drain 855. The electrode plate 820 further had platinum electrodes, fabricated by inserting 25  $\mu\text{m}$  wires. The electrodes included first platinum electrode 801A, second platinum electrode 801B, third platinum electrode 801C, fourth platinum electrode 802A, fifth platinum electrode 802B, third platinum electrode 802C,  
10 and the two electrodes comprising gamma electrode-based pump 803. First platinum electrode 801A, second platinum electrode 801B and third platinum electrode 801C make up alpha electrode-based pump 801, while fourth platinum electrode 802A, fifth platinum electrode 802B and sixth electrode 802C make up beta electrode-based pump 802.

15 Figure 18A shows methanol flowing from first well 800A to second well 800B, while bypassing third well 800C. This is done by applying 160 V to alpha electrode-based pump 801. Figure 18B shows methanol flowing from second well 800B to third well 800C while bypassing first well 800A. This is done by applying 200 V to beta electrode-based pump 802,  
20 100 V to gamma electrode-based pump 803 and 120 V to alpha electrode-based pump 801, where the polarity at beta and gamma electrode-based pumps 802 and 803 favored flow into the third well 800C, and the polarity at alpha electrode-based pump 801 favored flow away from first well 800A.

25 **Example 3 - Electrode-based pumping past capillary barriers**

Figure 19 shows a prototype liquid distribution system fabricated pursuant to the hydrologic liquid distribution system. The distribution system was constructed from three plates of Corning 7740 glass, Corning Glass, Inc., Corning, NY which plates became top plate 910,  
30 intermediate plate 920 and bottom plate 930. The top of intermediate plate 920 was coated with silicon as described above. In top plate 910 were formed, by laser drilling, first hole 901A, second hole 901B, third hole 902A,

fourth hole 902B, fifth hole 903A, sixth hole 903B, seventh hole 904A and eighth hole 904B, which holes each had a diameter of 75  $\mu\text{m}$ . First and second holes 901A and 901B were used to form first model electrode-based pump 961. Third and fourth holes 902A and 902B were used to form  
5 second prototype electrode-based pump 962. Fifth and sixth holes 903A and 903B were used to form third prototype electrode-based pump 963. Seventh and eighth holes 904A and 904B were used to form fourth model prototype electrode-based pump 964. The electrodes in each of first through fourth prototype electrode-based pumps, 961 - 964, were separated by 200  $\mu\text{m}$ .  
10 By etching, alpha opening 905, beta opening 906 and gamma opening 907 were formed on the underside of top plate 910. By laser drilling, ninth hole 908 and tenth hole 909, each with a diameter of 150  $\mu\text{m}$ , were formed through upper plate 910.

In intermediate plate 920 were formed first prototype  
15 channel 911 (made up of segments 911A - 911D) and second prototype channel 912 (made up of segments 912A - 912D). First and second prototype channels 911 and 912 having a depth of 80  $\mu\text{m}$  and a width of 150  $\mu\text{m}$ . The entries into these two prototype channels 911 and 912 are provided by ninth hole 908 and tenth hole 909, respectively. First reaction  
20 cell access hole 913 and second reaction cell access hole 914, each with a diameter of 150  $\mu\text{m}$ , were laser drilled through the intermediate plate 920. In the underside of intermediate plate 920, a delta opening 915 was formed, which delta opening 915 connects the reaction cell 950 to first and second prototype drain holes 921 and 922.

25 In the bottom plate 930, the reaction cell 950 was formed by etching. First prototype drain hole 921 and second prototype drain hole 922 were laser drilled through bottom plate 920. The top plate 910 and intermediate plate 920 were bonded together by field assisted thermal bonding.

30 When methanol was introduced into first prototype channel 911, the liquid was stopped from flowing into reaction cell access hole 913 by the capillary barrier formed by the structure at alpha opening 905.

Correspondingly, the capillary barrier formed by the structure at beta opening 906 prevented methanol flow into the reaction cell access hole 914. Flow into the reaction cell access holes 913 or 914, by either route, could be initiated by activating the appropriate pumps. For instance, to pump  
5 methanol through first prototype channel 911, first prototype electrode-based pump 901 and second prototype electrode-based pump 902 were biased by applying 200 V. Flow through the prototype channel 911 was observed.

#### Example 4 - Combinatorial Synthesis of Oligonucleotide

This synthesis begins with a number of polystyrene  
10 beads onto which is synthesized, by the phosphoramidite method, a protected oligonucleotide having a sequence (5' to 3'): GGAGCCATAGGACGAGAG. See, for instance, Caruthers et al., *Methods in Enzymology* 211: 3-20, 1992, for further discussion of oligonucleotide synthetic methods. The functionalized polystyrene beads, available from Bacham Bioscience (King of  
15 Prussia, PA) are inserted into each of the reaction cells of a microscale liquid distribution system having 4 X 4 reaction cells. The liquid distribution system has four first reservoirs, reservoir-1, reservoir-2, reservoir-3 and reservoir-4, each of which can address any reaction cell in the 4 X 4 array. The liquid distribution system has four second reservoirs, reservoir-5, reservoir-6,  
20 reservoir-7 and reservoir-8, each of which second reservoirs can address the four reaction cells along a given row (i.e., the reaction cells aligned along an EW axis). Further, the liquid distribution system has four third reservoirs, reservoir-9, reservoir-10, reservoir-11 and reservoir-12, each of which third reservoirs can address any of the four reaction cells in the corresponding  
25 column (i.e., reaction cells aligned along an NS axis).

The following process steps are executed:

1. Each of the reaction cells in the distribution system is washed with acetonitrile from reservoir-1.
2. 3% trichloro acetic acid (TCA) in  
30 dichloromethane, from reservoir-2, is pumped through all of the reaction cells. This solution is effective to remove the dimethoxytrityl protecting groups at the 5' ends of the oligonucleotides on the beads.



3. All of the reaction cells in the liquid distribution system are again flushed with acetonitrile from reservoir-1.
4. To the four reaction cells connected to reservoir-5, a mixture of 0.1M protected adenine phosphoramidite in acetonitrile is added.  
5 This addition is effective to attach protected adenosine groups to the 5' ends of the oligonucleotides in the four reaction cells connected to reservoir-5. To the four reaction cells connected to reservoir-6, a mixture of 0.1M protected cytosine phosphoramidite in acetonitrile is added. This addition is effective to attach protected cytosine groups to the 5' ends of the oligonucleotides in the  
10 four reaction cells connected to reservoir-6. To the four reaction cells connected to reservoir-7, a mixture of 0.1M protected guanosine phosphoramidite in acetonitrile is added. This addition is effective to attach protected guanosine groups to the 5' ends of the oligonucleotides in the four reaction cells connected to reservoir-7. To the four reaction cells connected  
15 to reservoir-8, a mixture of 0.1M protected thymidine phosphoramidite in acetonitrile is added. This addition is effective to attach protected thymidine groups to the 5' ends of the oligonucleotides in the four reaction cells connected to reservoir-7.
5. The reaction cells are washed with acetonitrile  
20 from reaction cells from reservoir-1.
6. The reaction cells are flushed with acetic anhydride:2,6-lutidine:tetrahydrofuran 1:1:8 from reservoir-3. This solution is effective to cap any oligonucleotide chains that did not react with the added monomer.
7. The reaction cells are flushed with 1.1 M  
25 tetrabutylperoxide in dichloromethane. This step is effective to oxidize the phosphite triester, which links the newly added monomer to the oligonucleotide, to a phosphate triester.
8. Steps 1-3 are repeated.
9. To the four reaction cells connected to  
30 reservoir-9, a mixture of 0.1M protected adenine phosphoramidite in acetonitrile is added. This addition is effective to attach protected adenosine ' ,

groups to the 5' ends of the oligonucleotides in the four reaction cells connected to reservoir-9. To the four reaction cells connected to reservoir-10, a mixture of 0.1M protected cytosine phosphoramidite in acetonitrile is added. This addition is effective to attach protected cytosine

5 groups to the 5' ends of the oligonucleotides in the four reaction cells connected to reservoir-10. To the four reaction cells connected to reservoir-11, a mixture of 0.1M protected guanosine phosphoramidite in acetonitrile is added. This addition is effective to attach protected guanosine

10 groups to the 5' ends of the oligonucleotides in the four reaction cells connected to reservoir-11. To the four reaction cells connected to reservoir-12, a mixture of 0.1M protected thymidine phosphoramidite in acetonitrile is added. This addition is effective to attach protected thymidine

15 groups to the 5' ends of the oligonucleotides in the four reaction cells connected to reservoir-12.

20 The above outlined process is effective to generate 16 separate oligonucleotides, each with a distinct dinucleotide sequence at the 5' end. Similar synthetic methods can be applied to create various combinatorial molecules, including peptides and other molecules such as those having potential pharmacological activity or those useful for diagnostic or other analytical application.

IN THE CLAIMS:

1. A distribution system comprising an alpha reservoir and a beta reservoir , a first set of parallel and adjacent first and second feeder channels and a second set of parallel and adjacent third and fourth  
5 feeder channels which are offset from the first and second feeder channels, wherein (a) the first and third feeder channels are connected to the alpha reservoir by a first connector channel that is situated above or below the second and fourth feeder channels and are independent of the beta reservoir and (b) the second and fourth feeder channels are connected to the beta  
10 reservoir by a second connector channel that is situated above or below the first and third feeder channels and are independent of the alpha reservoir.
2. The distribution system of claim 1, wherein the first and second feeder channels are each connected to a first set of two or more  
15 reaction cells and the third and fourth feeder channels are each connected to a second set of two or more reaction cells.
3. The distribution system of claim 2, wherein the feeder channels of the first and second feeder channel sets are parallel to each other.  
20
4. A liquid distribution system comprising:
  - (a) a distribution plate comprising:
    - a least two first reservoirs having a common  
first fill level;  
25 at least one feeder channel connected to and extending from each of the first reservoirs, each feeder channel having a horizontal feeder channel segment, wherein the top of the horizontal feeder channel segment is below the first fill level;  
at least one distribution channel connected to  
30 each feeder channel and having a second fill level at substantially the same elevation as the first fill level; and  
a first liquid level maintaining means for

maintaining the liquid level in each first reservoir at the first fill level,  
wherein filling each first reservoir to the first fill level  
results in the filling of the connected feeder channels and filling the connected  
distribution channels to the second fill level.

5

5. The distribution system of claim 4, wherein in the  
distribution plate one feeder channel from each of the at least two first  
reservoirs are parallel and adjacent to one another.

10

6. The distribution system of claim 5, wherein each of  
the parallel feeder channels is connected to a separate distribution channel  
positioned perpendicular to the horizontal feeder channel segments of the  
parallel feeder channels, and each of the connected distribution channels are  
parallel and adjacent to one another.

15

7. The distribution system of claim 6, comprising in the  
distribution plate at least four first reservoirs and at least two sets of parallel,  
adjacent feeder channels, wherein each of the feeder channels in each set is  
connected to a separate reservoir, and wherein each set of parallel, adjacent  
20 feeder channels is connected to at least two sets of adjacent, perpendicular  
distribution channels.

8. The distribution system of claim 4, wherein in the  
distribution plate the horizontal feeder channel segments connected to the  
25 first reservoirs are substantially parallel to one another and wherein the  
distribution plate comprises one or more second reservoirs, each having a  
third fill level, a second liquid level maintaining means for maintaining the  
liquid level in each second reservoir at the third fill level, and an second  
reservoir extension channel the top of which is at substantially the same  
30 elevation as the third fill level.

9. The distribution system of claim 8, wherein the second

reservoir extension channels are substantially perpendicular to the horizontal feeder channel segments and one or more of the second reservoir extension channels each cross above at least one horizontal feeder channel segment.

5                    10. The distribution system of claim 9, further comprising one or more buffer channels, wherein at least one buffer channel is positioned adjacent to at least two first distribution channels and at least one second reservoir extension channel.

10                   11. The distribution system of claim 4, further comprising:  
                       (b) a controller; and  
                       (c) a feedthrough plate attached to the top of the distribution plate comprising supply channels extending through the feedthrough plate to the first reservoirs and electrical leads extending through  
 15 the feedthrough plate,

   wherein the distribution plate comprises pumps at each distribution channel connected to the controller by the electrical leads extending through the feedthrough plate.

20                   11. The distribution system of claim 11, further comprising:  
                       (d) a reaction well plate having one or more reaction cells that can be positioned below the distribution plate,

   wherein the distribution plate comprises conduits by  
 25 which liquid can be moved from the distribution channels to the reaction cells under the control of the pumps.

                      12. The distribution system of claim 11, wherein the first liquid level maintaining means comprises an overflow release channel  
 30 connected to each first reservoir that drains any liquid above the first fill level.

                      13. The distribution system of claim 11, wherein the

pumps in the distribution plate each comprise a first electrode and a second electrode and the controller can direct a pulsed voltage to the pumps to cause pumping.

5                   14. The distribution system of claim 13, wherein the controller comprises an electrical data storage device comprising a database of pumping programs for pumping one or more liquids.

10                   15. The distribution system of claim 13, wherein one or more of the pumps further comprise a third electrode and, for the three electrode pumps, the controller can (i) direct a pulsed voltage across the first and second electrodes or (ii) across the first and third electrodes.

15                   16. A liquid distribution system comprising:  
(a) a reservoir,  
(b) a channel addressable by the reservoir having a capillary barrier.

20                   17. The liquid distribution system of claim 16, wherein the capillary barrier comprises a dam.

18. The liquid distribution system of claim 16, wherein the capillary barrier comprises one or more upwardly oriented sharp edges.

25                   19. The liquid distribution system of claim 1, further comprising a pump associated with the channel for pumping liquid past the capillary barrier.

30                   20. The liquid distribution system of claim 19, further comprising a reaction well and a conduit from the outlet of the capillary barrier to the reaction well.

21. The liquid distribution system of claim 19, wherein the pump is an electrode-based pump.

22. A liquid distribution system comprising:  
5 one or more continuous flow channels, each having a upstream end and a downstream end, wherein the continuous flow channels have an open zone at the downstream end,  
for each continuous flow channel, a branch channel extending off of that continuous flow channel in the open zone, and  
10 for each continuous flow channel, an alpha constrictor for constricting flow in the open zone located downstream of the branch channel inlet,  
wherein when a liquid flows through one of the continuous flow channels from the upstream to the downstream end a first  
15 ratio amount of fluid is diverted into the branch channel when the alpha constrictor is not operating and a second ratio amount, which is greater than the first ratio amount, flows into the branch channel when the alpha constrictor is in operation.

20 23. The distribution system of claim 22, further comprising, for at least one branch channel, a beta constrictor for constricting flow through the branch channel.

24. The distribution system of claim 22, wherein the  
25 system has two or more continuous flow channels and further comprising a buffer channel addressable by at least two continuous flow channels via their associated branch channels.

25. The distribution system of claim 24, further comprising  
30 a reaction cell and wherein the buffer channel is connected to a reaction cell conduit to the reaction cell and to an overflow conduit.

26. The distribution system of claim 25, wherein the reaction cell conduit has a gamma constrictor and the overflow conduit has a delta constrictor.

5                   27. A distribution system comprising:  
                    a reaction cell,  
                    two or more feeder channels,  
                    a separate conduit for each feeder channel connecting  
                    that feeder channel to the reaction cell, and  
10                   a expansion valve for each conduit, wherein the  
                    expansion valve has an expanded state that fills a cross-section of the conduit  
                    and prevents fluid flow through the conduit and an contracted state that  
                    allows fluid flow through the conduit.

15                   28. The distribution system of claim 27 further comprising  
                    at least about two cells, each separately addressable by two or more feeder  
                    channels via conduits each having a bubble expansion valve.

20                   29. The distribution system of claim 27, wherein at least  
                    one conduit has two or more expansion valves.

                    30. The distribution system of claim 29, wherein at least  
                    one conduit has three or more expansion valves which can be operated in  
                    concert to pump liquid from the connected feeder channel into the reaction  
25                   cell.

                    31. A liquid distribution system comprising:  
                    one or more feeder channels each made up of a feeder  
                    channel inlet and a feeder channel outlet and, connected to each such feeder  
30                   channel, a distribution channel, each feeder channel having a three-way  
                    junction connecting a feeder channel inlet, a feeder channel outlet and the  
                    connected distribution channel, the distribution channel connecting with a



reaction cell;

for each such three-way junction, a first electrode-based pump in the feeder channel inlet or in the feeder channel outlet; and

5 for each such three-way junction, a second electrode-based pump in the distribution channel,

wherein the voltages applied to the first electrode-based pump and the second electrode-based pump can be chosen (a) so that fluid in one of the feeder channels can be moved from the feeder channel inlet to the feeder channel outlet of the feeder channel with a first amount of flow into  
10 the connected distribution channel or (b) so that a second amount of flow which is greater than the first amount proceeds via the connected distribution channel.

32. The distribution system of claim 31, wherein for at  
15 least one such three-way junction there is a third electrode-based pump in whichever of the feeder channel inlet or feeder channel outlet lacks the first electrode-based pump.

33. The distribution system of claim 31, wherein one or  
20 more distribution channels have a capillary barrier.

34. The distribution system of claim 31, wherein the opening of one or more distribution channels at the three-way junction has a width that is about 50% or less of the width of the connected feeder channel.  
25

35. A liquid distribution system suitable for conducting reactions for chemical syntheses or chemical reactions involved in an assay, the distribution system comprising a reaction cell, a channel connected to the reaction cell and a pump situated in the channel comprising a first electrode,  
30 second electrode and third electrode.

36. The distribution system of claim 35, wherein the first

electrode and second electrode are spaced between about 100 microns and 2500 microns apart, and the spacing between the third electrode and the nearest of the first or second electrodes is between about 100 microns and 1000 microns.

5

37. The distribution system of claim 35, wherein the first electrode and second electrode are spaced between about 250 microns and 1000 microns apart, and the spacing between the third electrode and the nearest of the first or second electrodes is between about 250 microns and 1000 microns.

10

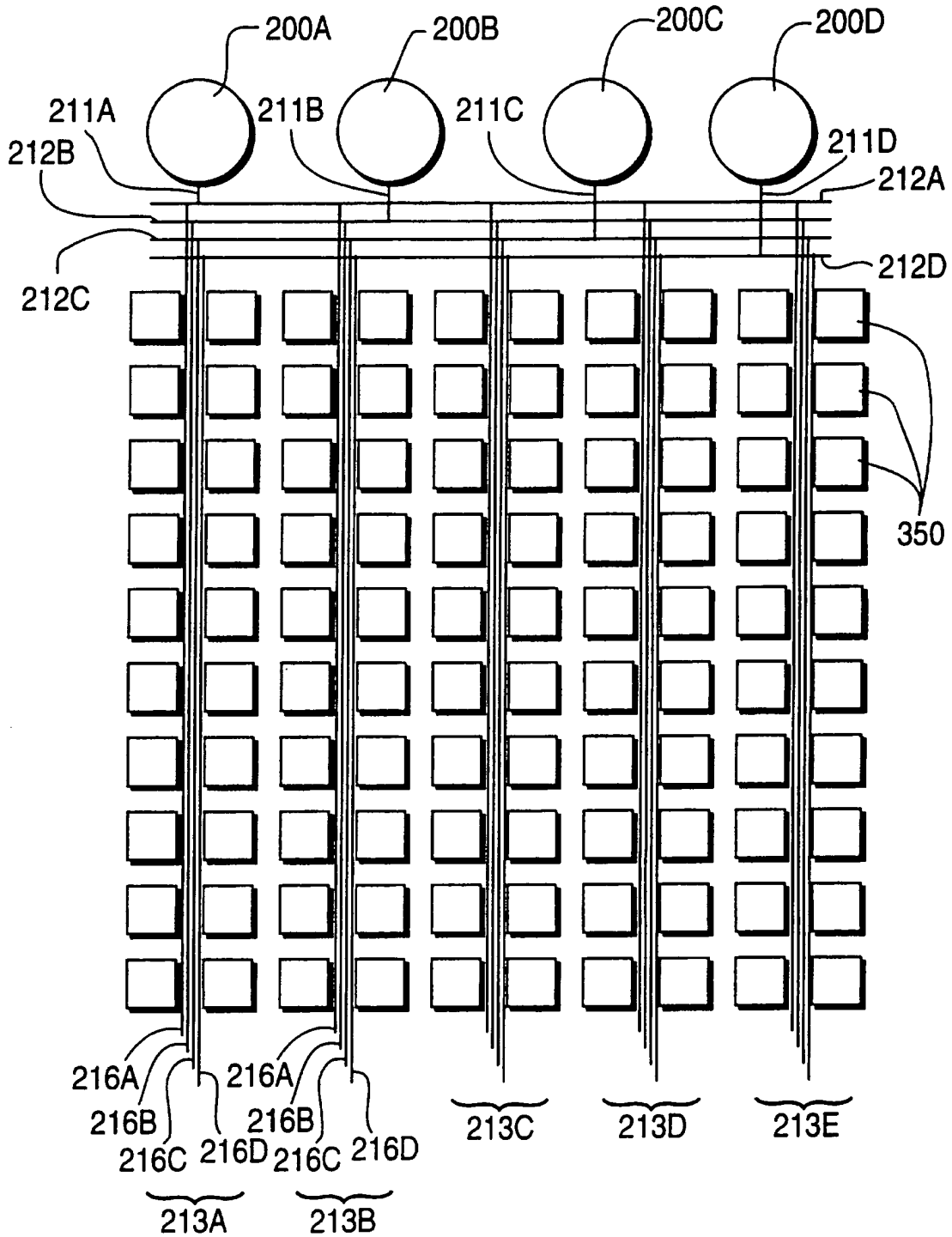
38. The distribution system of claim 35, further comprising a controller that controls the operation of the pump, wherein the controller can operate any pair of electrodes in the pump.

15

39. The distribution system of claim 38, wherein the controller comprises an information storage means which stores pumping protocols for one or more liquids, each of which stored protocols include a designation of an appropriate pair of pump electrodes for pumping the liquid of the protocol.

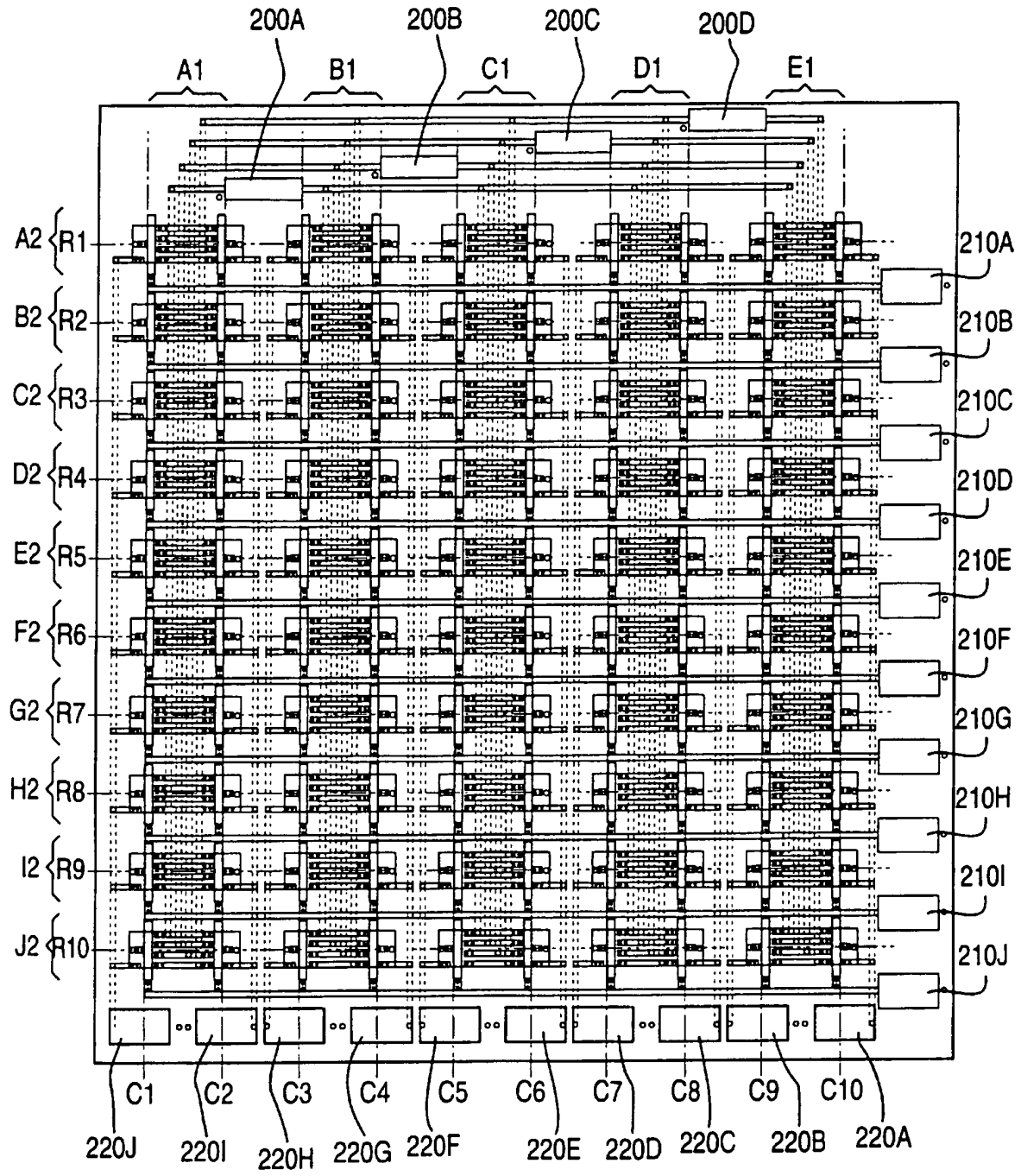
20

1/16



**FIG. 1**

**SUBSTITUTE SHEET (RULE 26)**



**FIG. 2**

**SUBSTITUTE SHEET (RULE 26)**

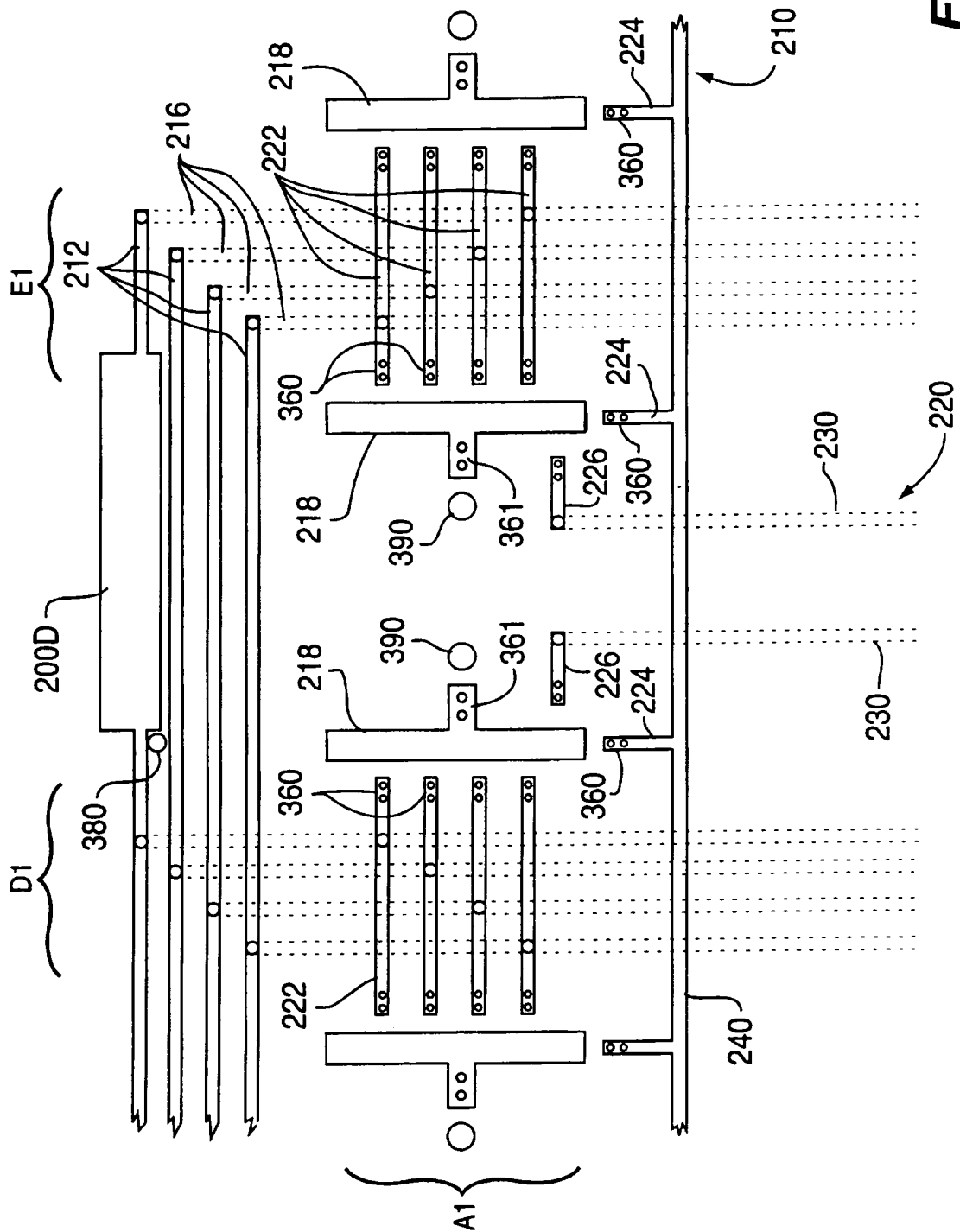
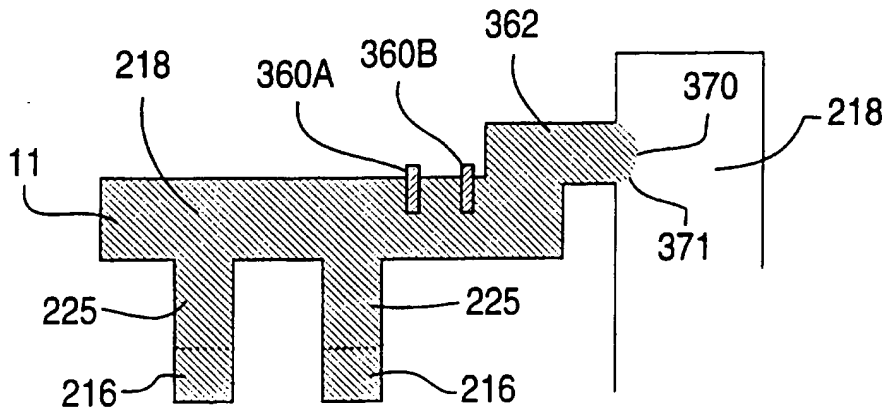
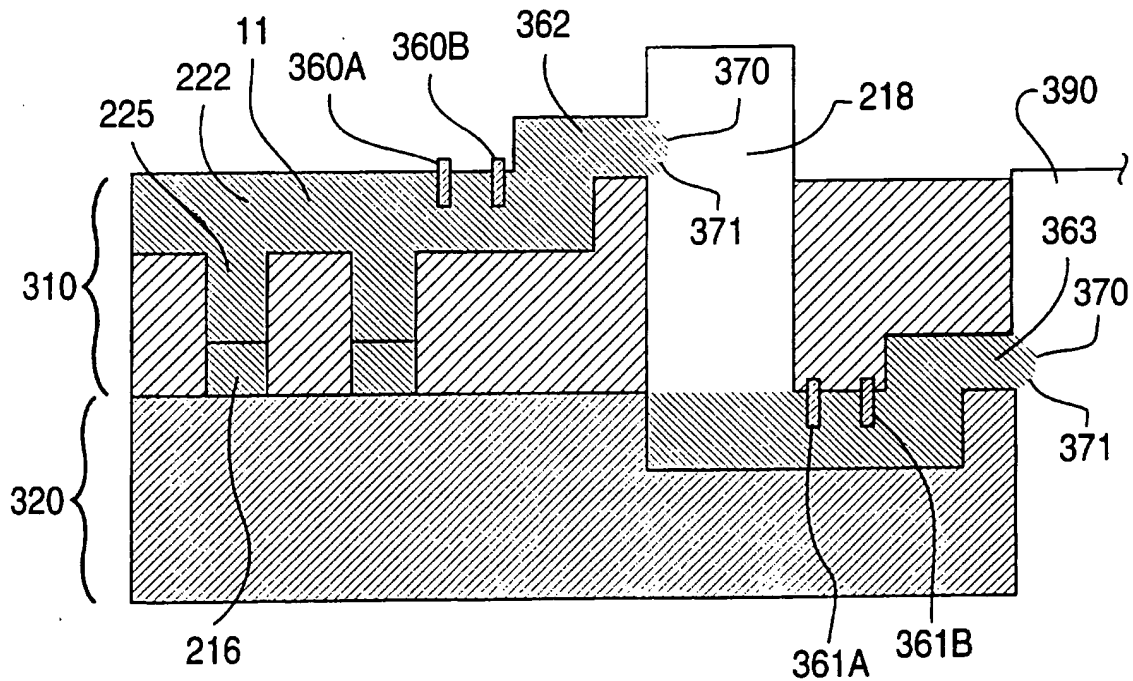


FIG. 3

4/16

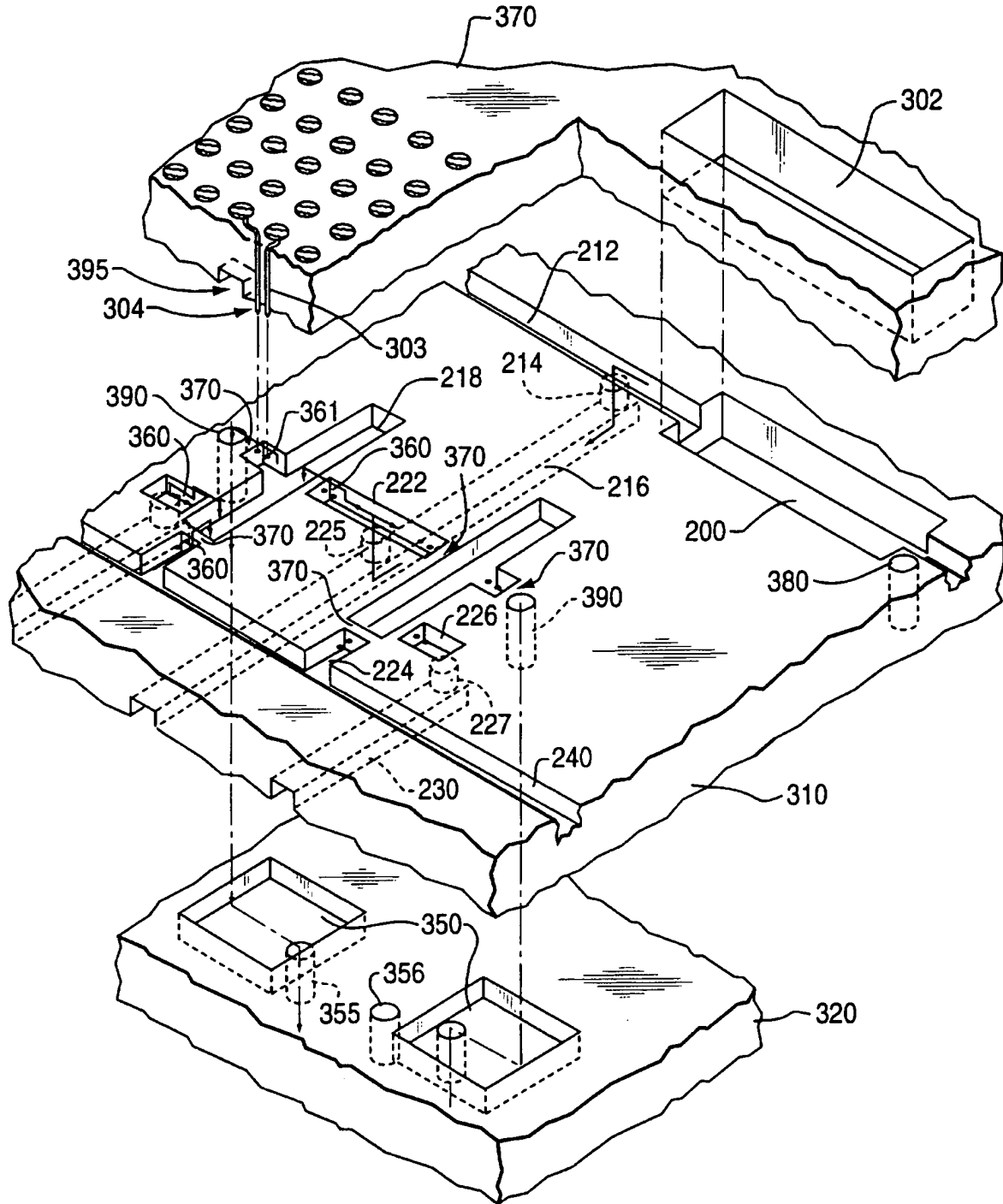


**FIG. 4A**



**FIG. 4B**

5/16



**FIG. 5**

**SUBSTITUTE SHEET (RULE 26)**

FIG. 6A

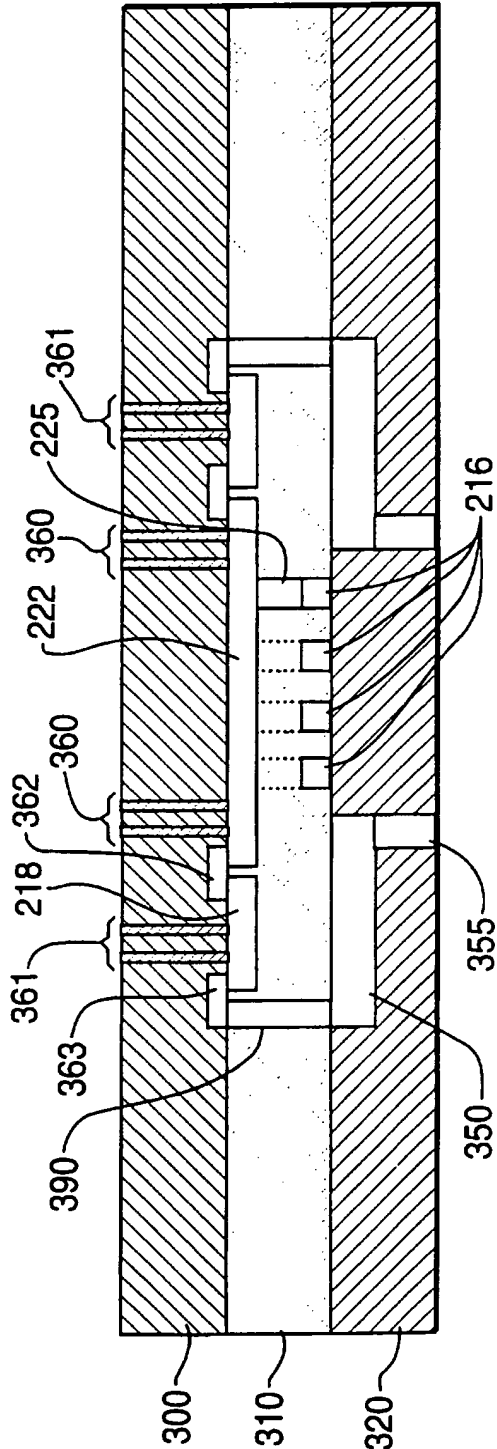
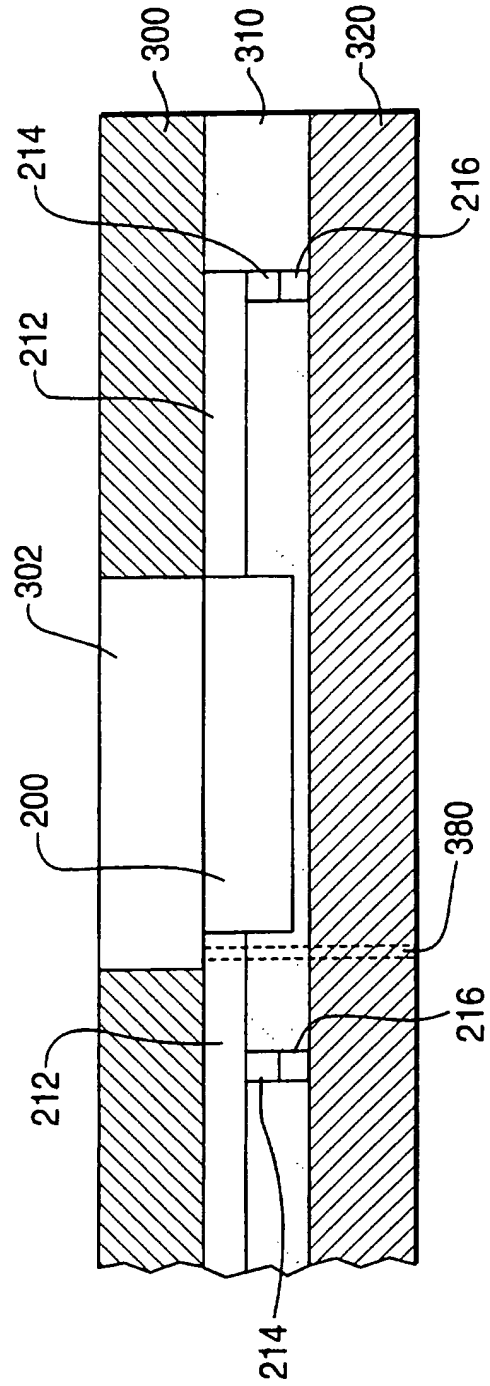


FIG. 6B





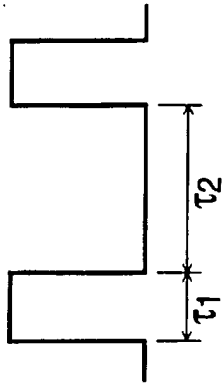


FIG. 8

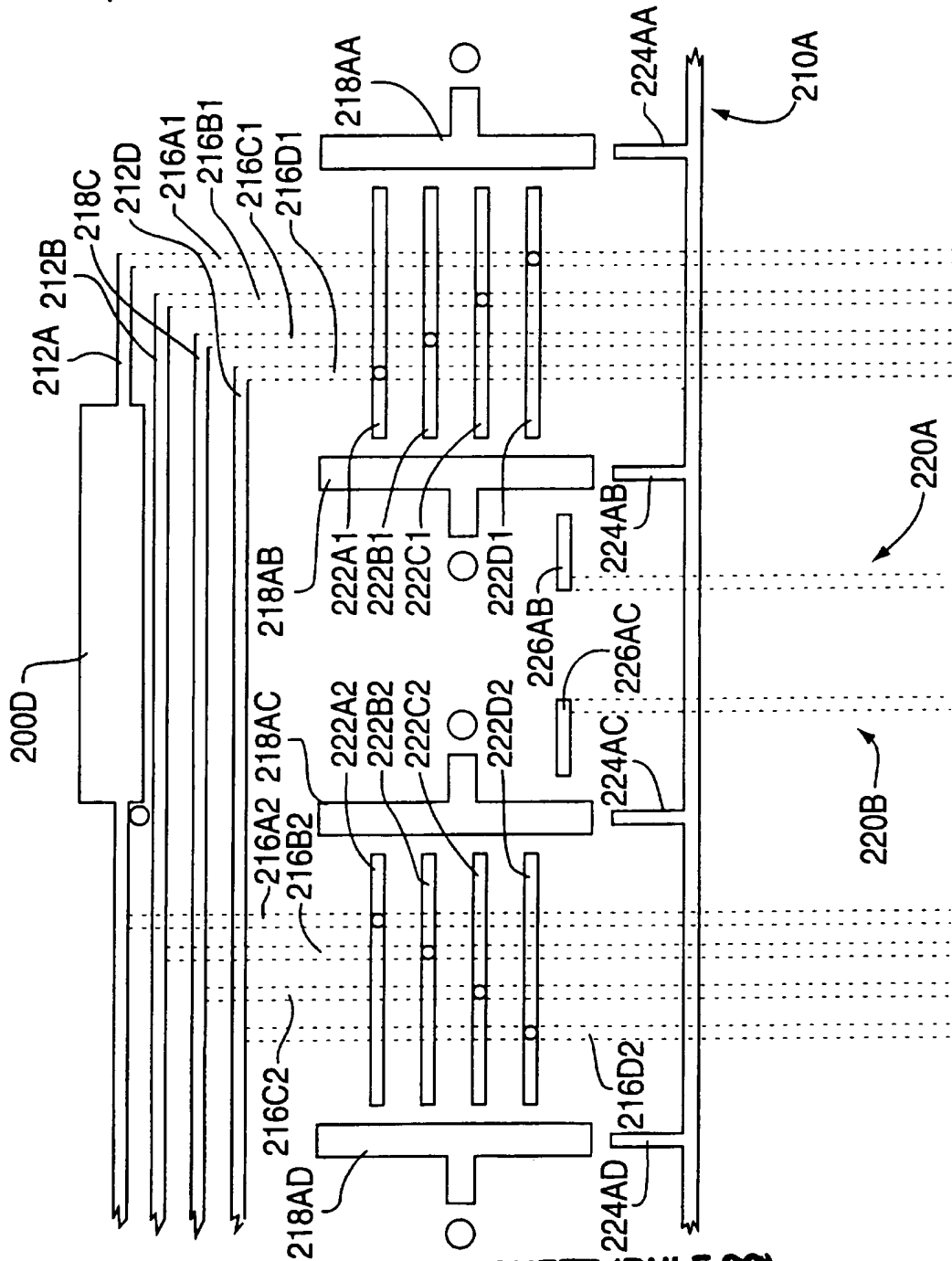


FIG. 7

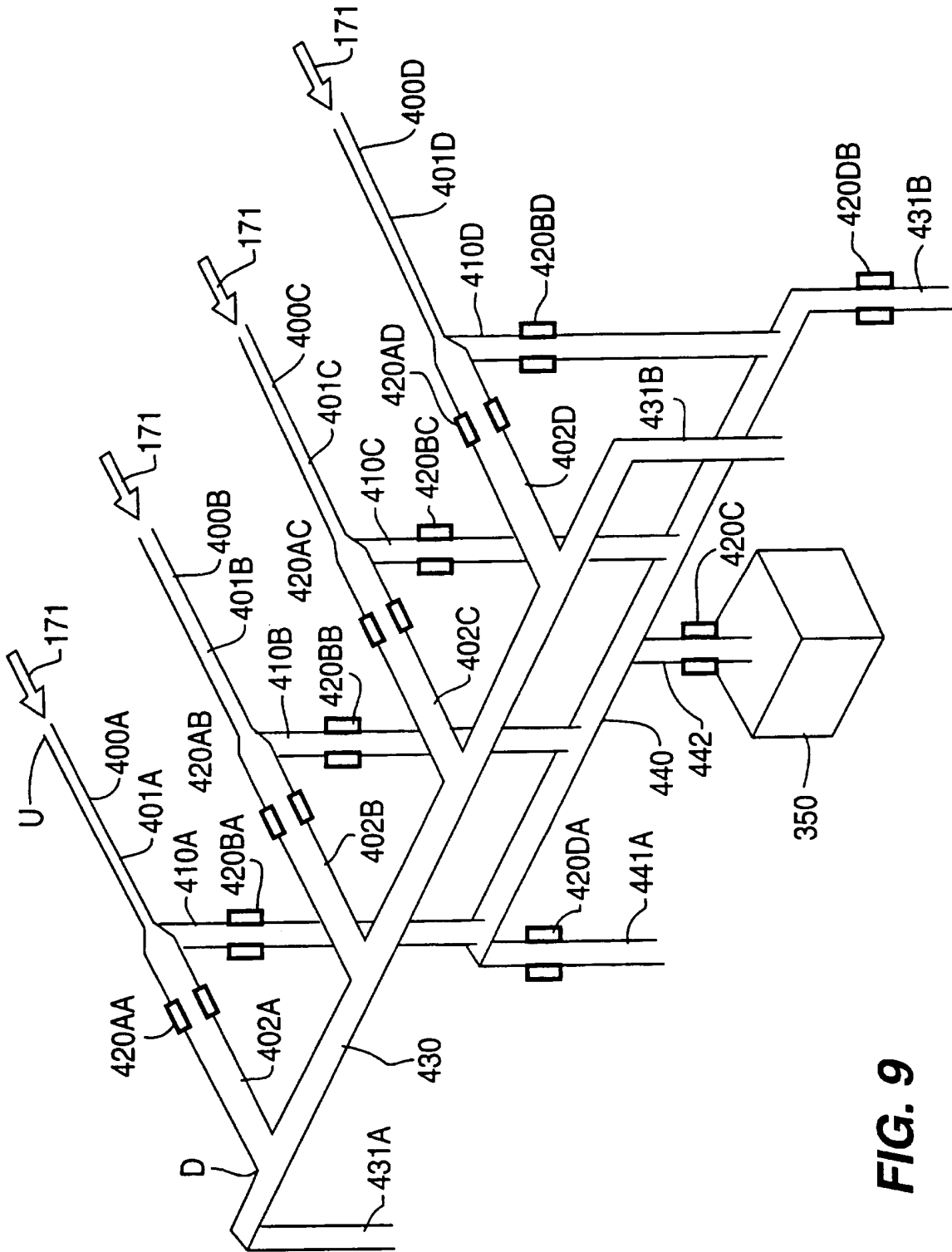


FIG. 9

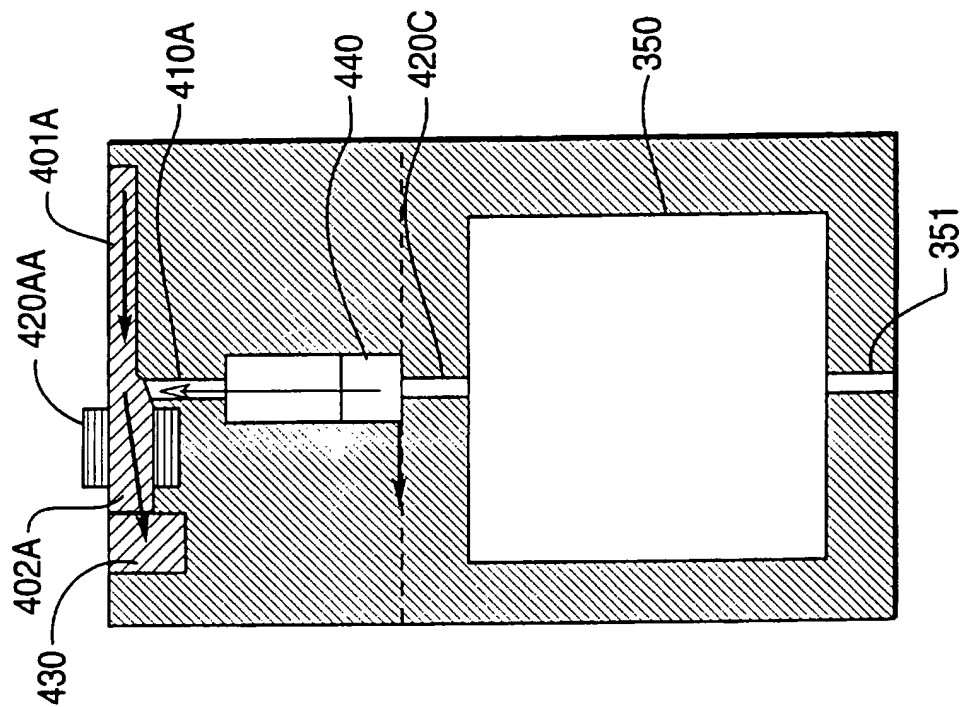


FIG. 10A

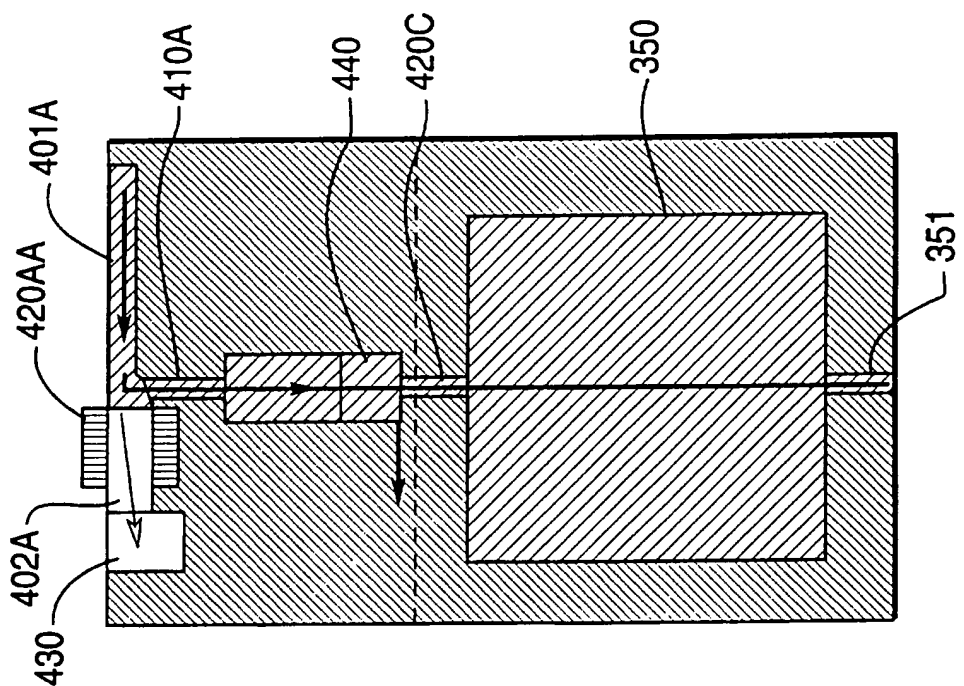
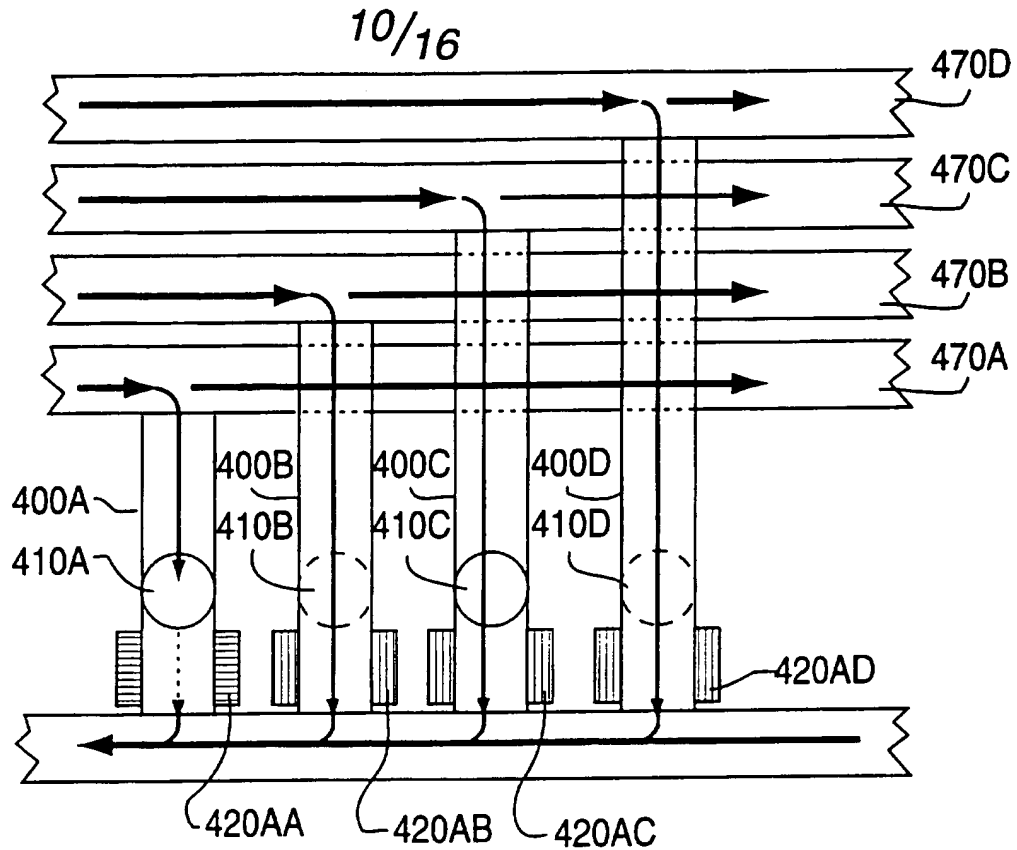
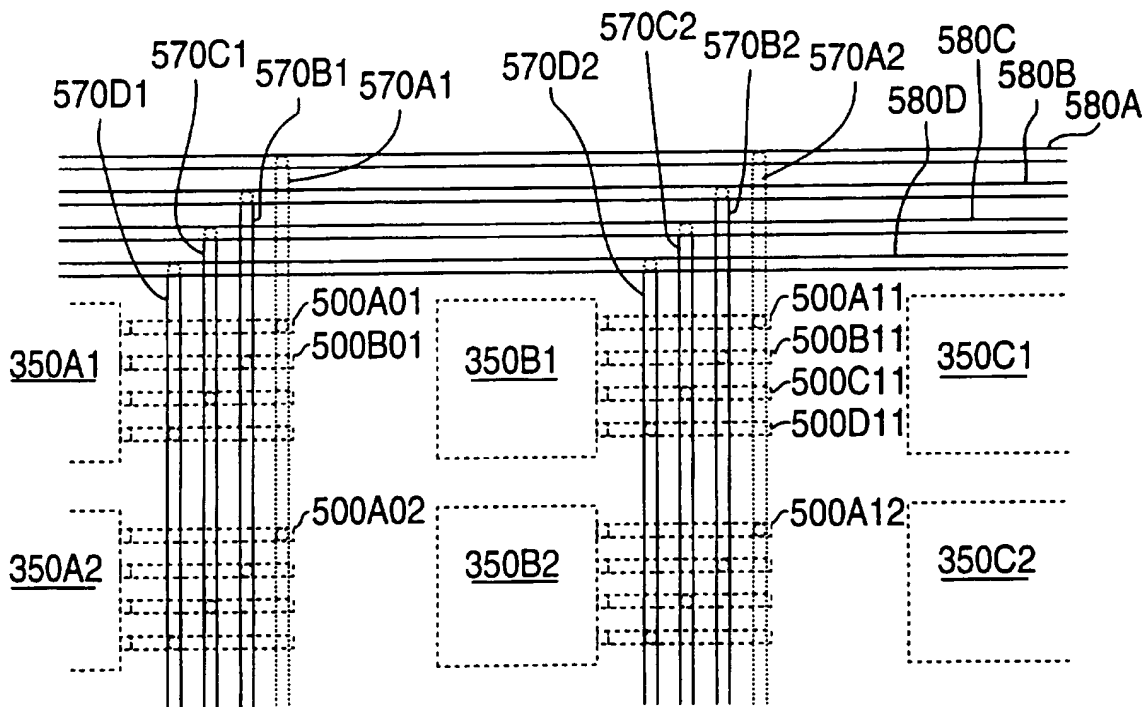


FIG. 10B

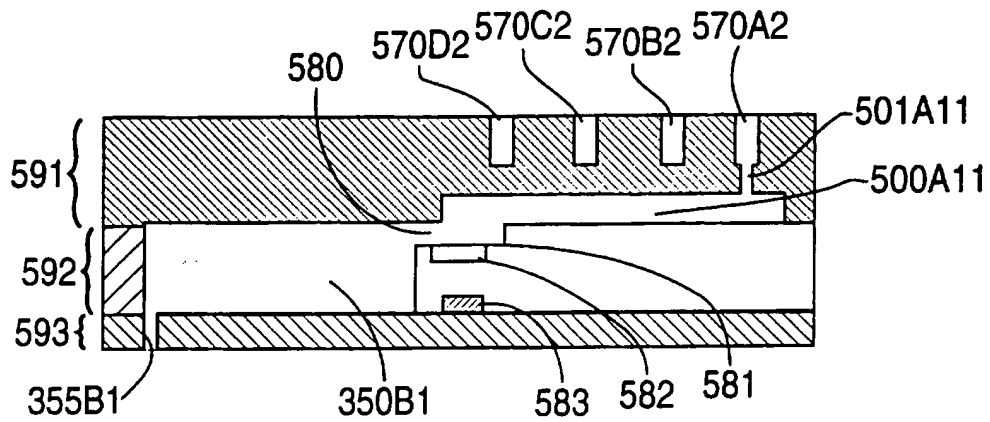


**FIG. 11**

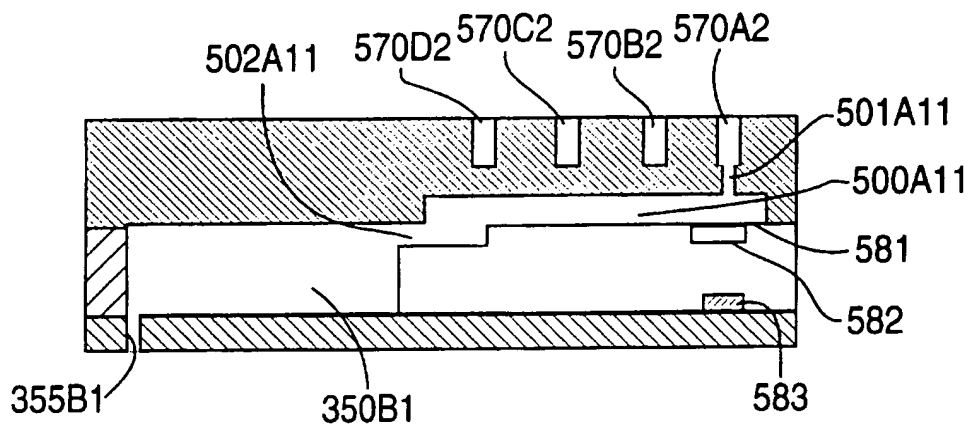


**FIG. 12**  
**SUBSTITUTE SHEET (RULE 26)**

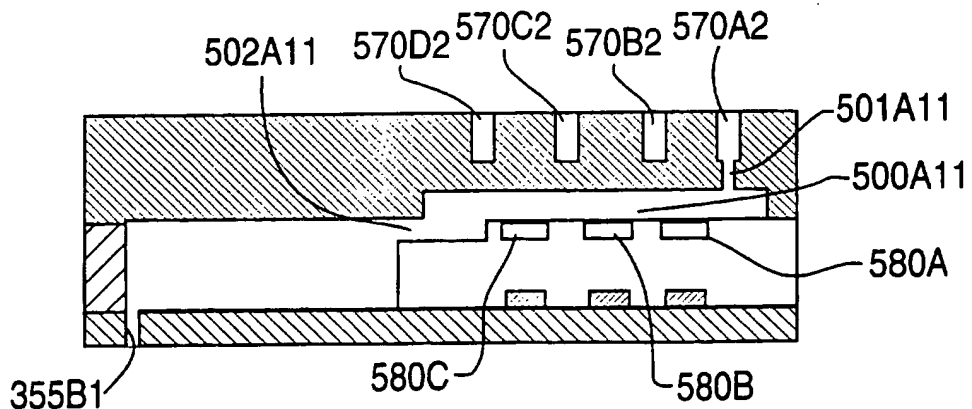
11/16



**FIG. 13A**

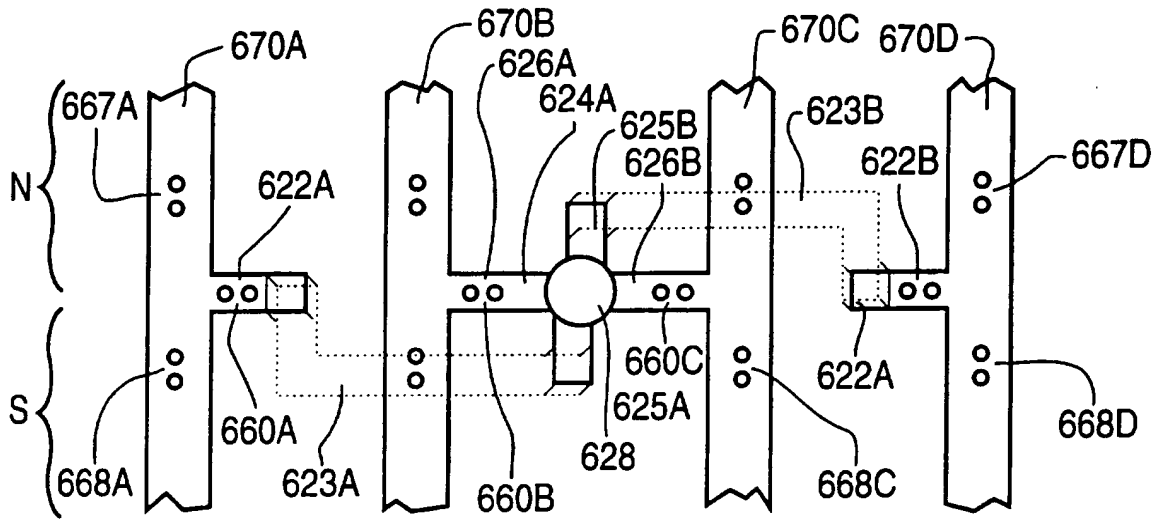


**FIG. 13B**

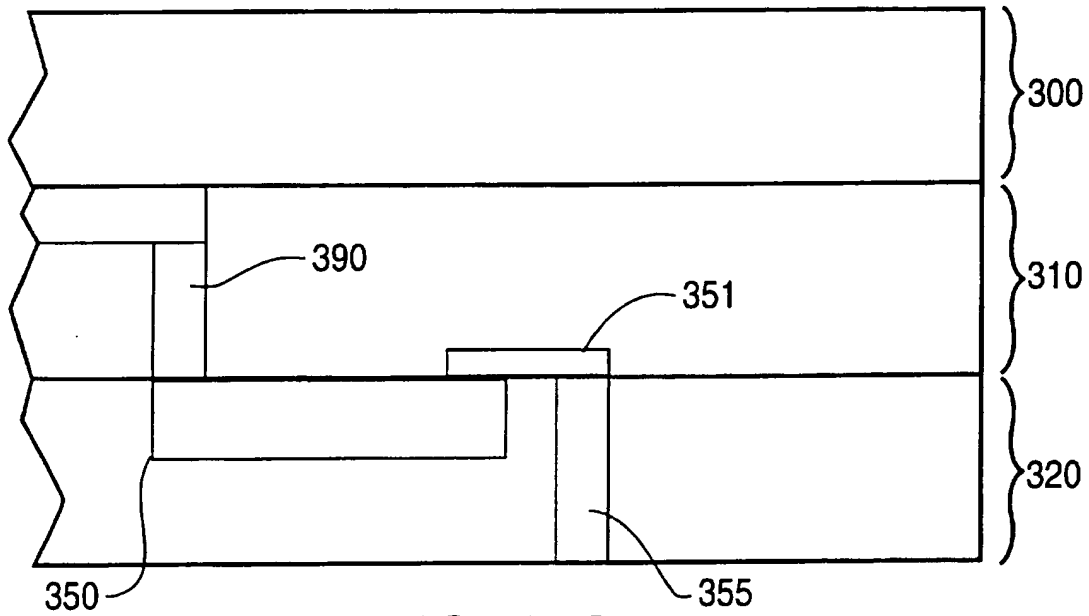


**FIG. 13C**

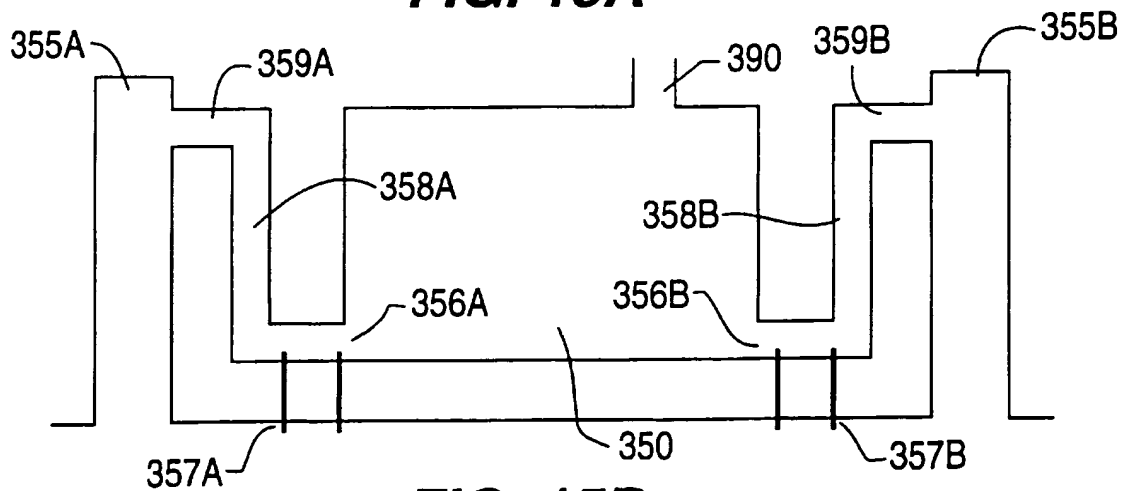
**SUBSTITUTE SHEET (RULE 26)**



**FIG. 14**



**FIG. 15A**



**FIG. 15B**  
**SUBSTITUTE SHEET (RULE 26)**

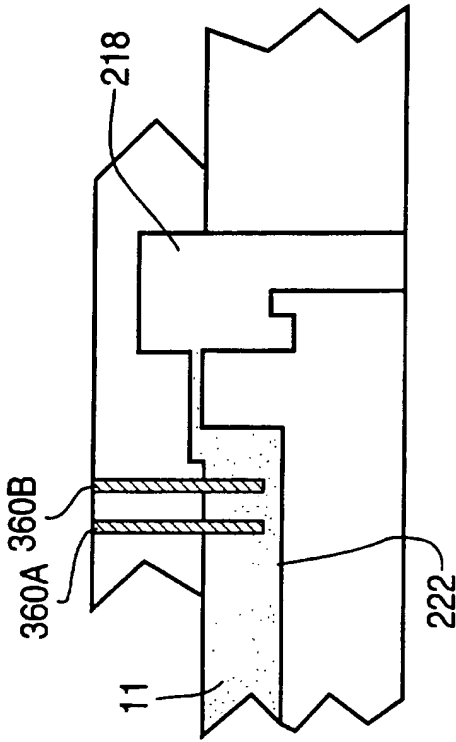


FIG. 16D

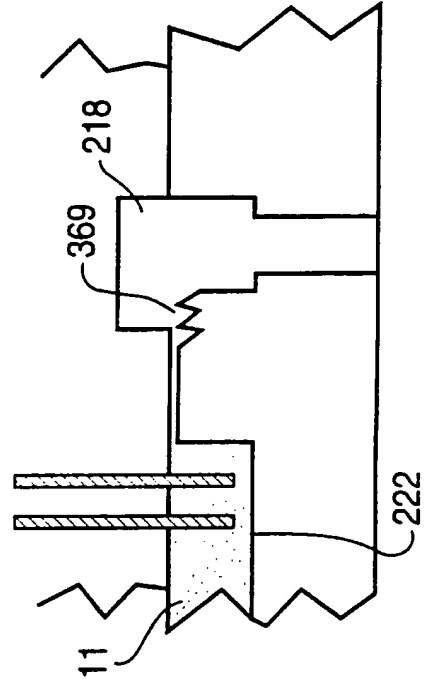


FIG. 16C

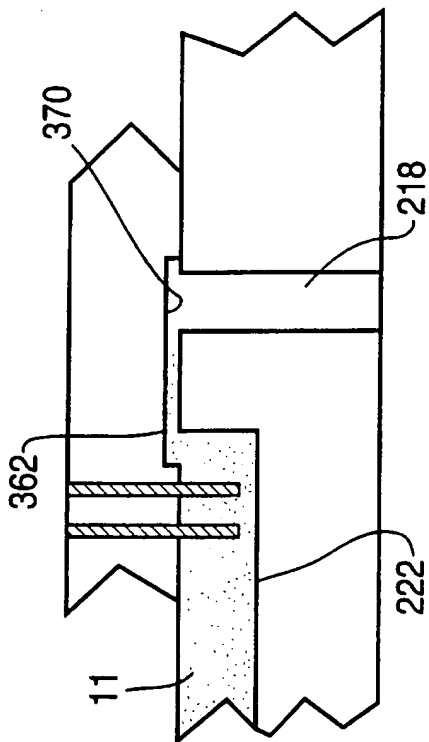


FIG. 16A

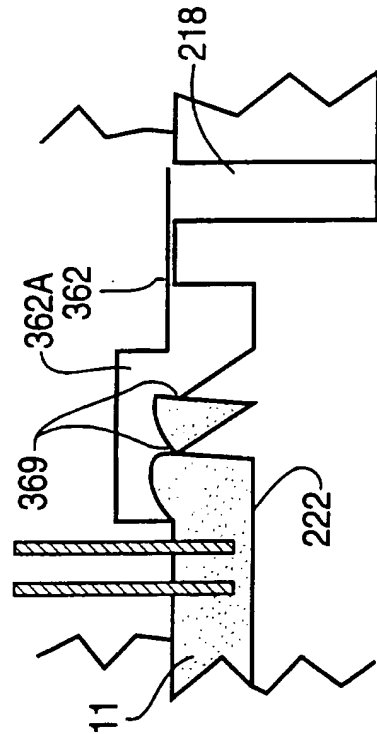
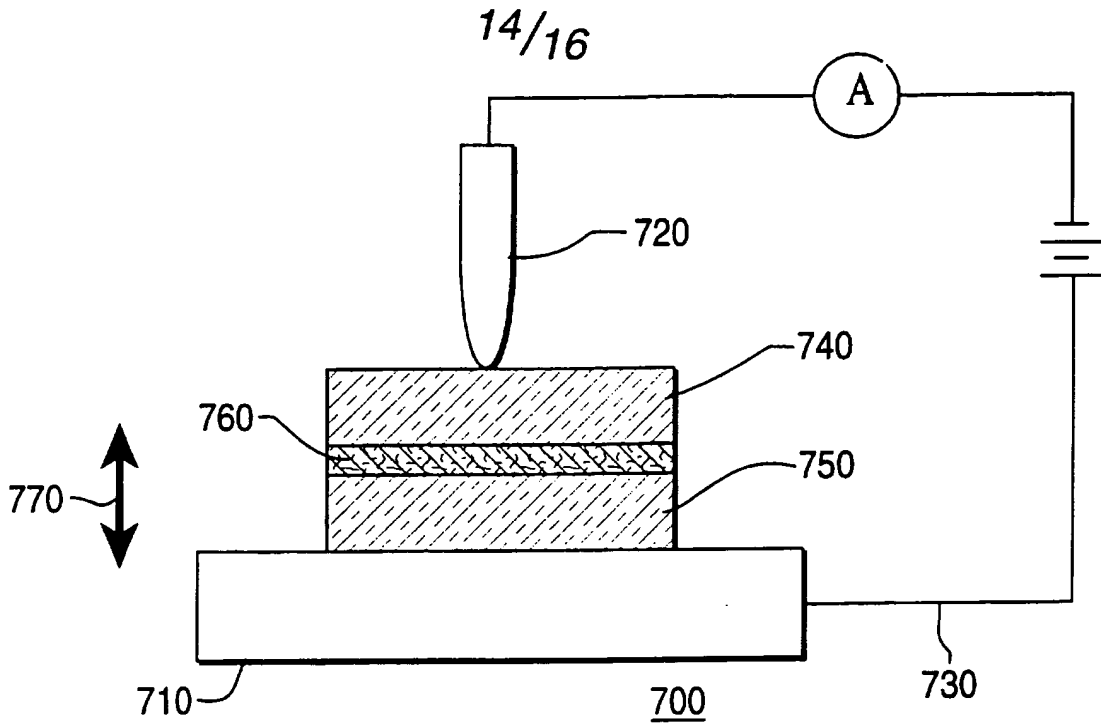
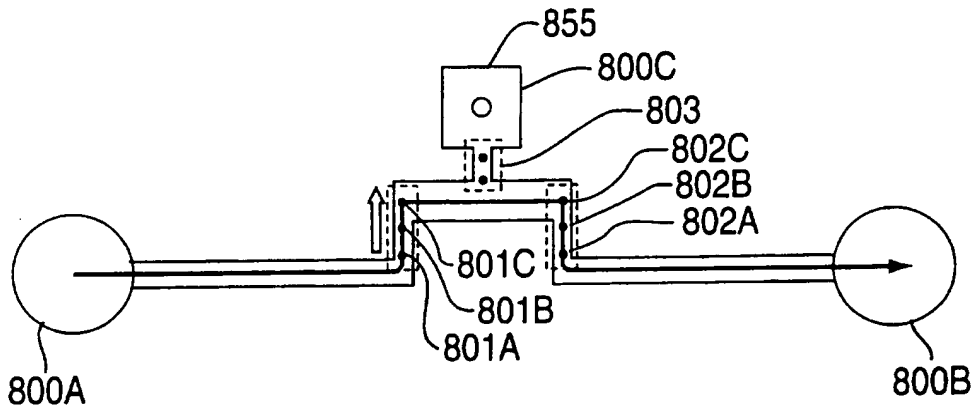


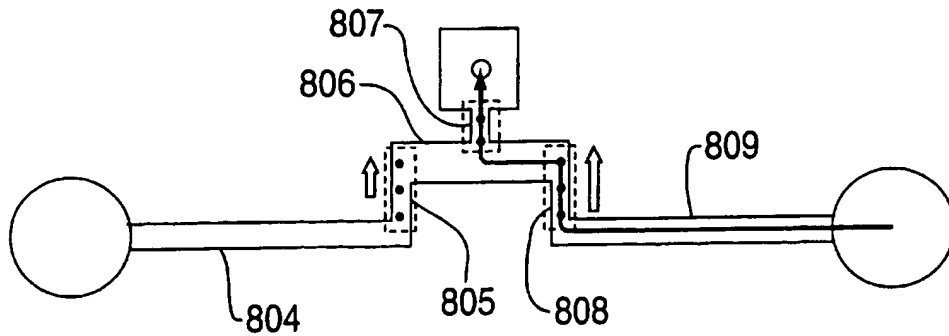
FIG. 16B



**FIG. 17**



**FIG. 18A**



**FIG. 18B**  
**SUBSTITUTE SHEET (RULE 26)**



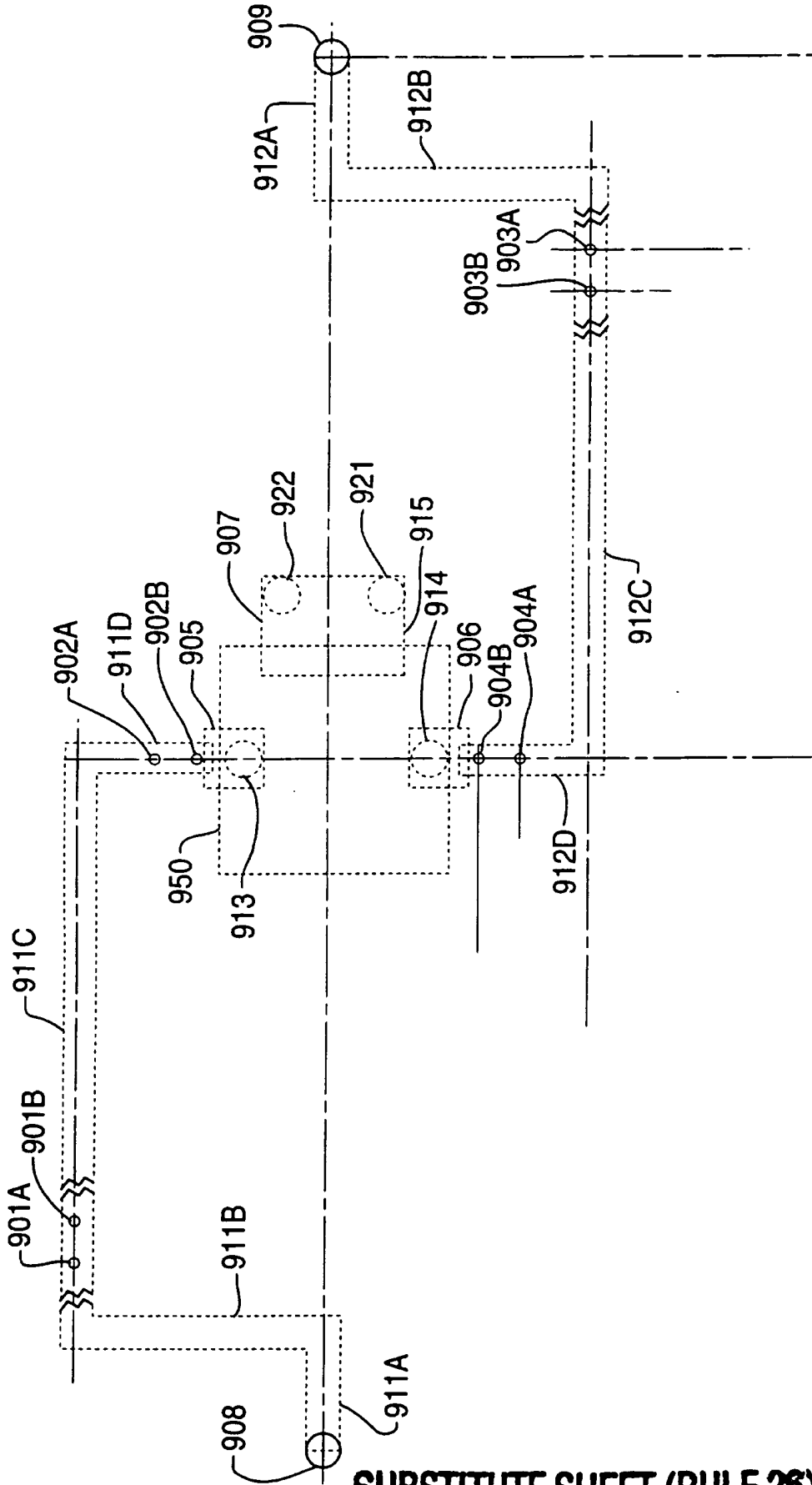
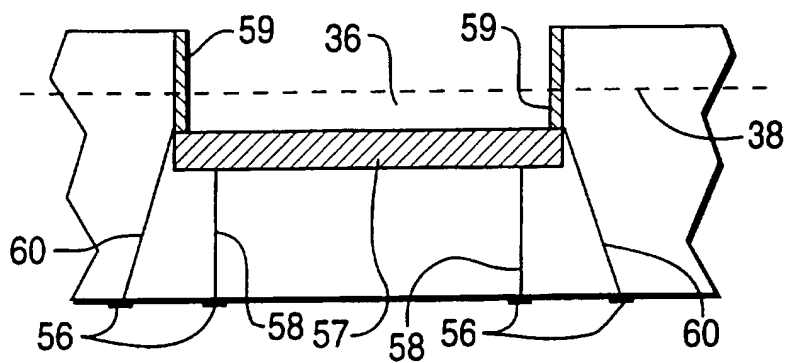
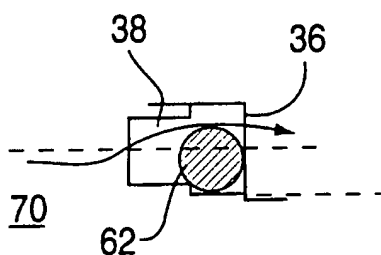


FIG. 19

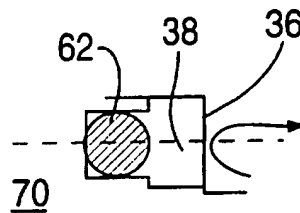
16/16



**FIG. 20**



**FIG. 21A**



**FIG. 21B**

INTERNATIONAL SEARCH REPORT

International application No.  
PCT/US95/14590

**A. CLASSIFICATION OF SUBJECT MATTER**  
 IPC(6) :H02K 44/02, 44/04; H01J 41/18; F04D 33/00  
 US CL :204/687; 417/48,50,53  
 According to International Patent Classification (IPC) or to both national classification and IPC

**B. FIELDS SEARCHED**  
 Minimum documentation searched (classification system followed by classification symbols)  
 U.S. : 204/687; 417/48,50,53

Documentation searched other than minimum documentation to the extent that such documents are included in the fields searched  
 NONE

Electronic data base consulted during the international search (name of data base and, where practicable, search terms used)  
 NONE

**C. DOCUMENTS CONSIDERED TO BE RELEVANT**

Category*	Citation of document, with indication, where appropriate, of the relevant passages	Relevant to claim No.
A	US, A, 5,180,288 (RICHTER ET AL.) 19 JANUARY 1993, SEE CLAIMS AND FIGURES 1-7.	1-39
A	US, A, 4,412,785 (ROMAN) 01 NOVEMBER 1983, SEE FIGURES 1-4B AND CLAIMS 1-5.	1-39

Further documents are listed in the continuation of Box C.  See patent family annex.

* Special categories of cited documents:	*T	later document published after the international filing date or priority date and not in conflict with the application but cited to understand the principle or theory underlying the invention
*A* document defining the general state of the art which is not considered to be of particular relevance	*X*	document of particular relevance; the claimed invention cannot be considered novel or cannot be considered to involve an inventive step when the document is taken alone
*E* earlier document published on or after the international filing date	*Y*	document of particular relevance; the claimed invention cannot be considered to involve an inventive step when the document is combined with one or more other such documents, such combination being obvious to a person skilled in the art
*L* document which may throw doubts on priority claim(s) or which is cited to establish the publication date of another citation or other special reason (as specified)	*G*	document member of the same patent family
*O* document referring to an oral disclosure, use, exhibition or other means		
*P* document published prior to the international filing date but later than the priority date claimed		

Date of the actual completion of the international search 20 FEBRUARY 1996	Date of mailing of the international search report 25 MAR 1996
---	---

Name and mailing address of the ISA/US Commissioner of Patents and Trademarks Box PCT Washington, D.C. 20231 Facsimile No. (703) 305-3230	Authorized officer  ARUN S. PHASGE Telephone No. (703) 308-0661
---	--



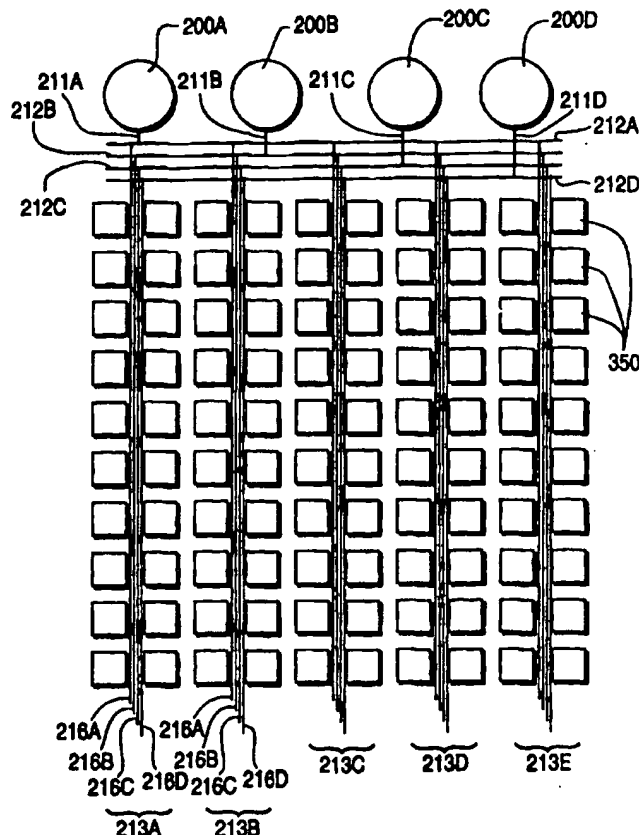
INTERNATIONAL APPLICATION PUBLISHED UNDER THE PATENT COOPERATION TREATY (PCT)

<p>(51) International Patent Classification <sup>6</sup> : <b>H02K 44/02, 44/04, H01J 41/18, F04D 33/00</b></p>	<p>A1</p>	<p>(11) International Publication Number: <b>WO 96/15576</b> (43) International Publication Date: 23 May 1996 (23.05.96)</p>
<p>(21) International Application Number: PCT/US95/14590 (22) International Filing Date: 9 November 1995 (09.11.95) (30) Priority Data: 08/338,703 10 November 1994 (10.11.94) US 08/469,238 6 June 1995 (06.06.95) US 08/483,331 7 June 1995 (07.06.95) US (71) Applicant: DAVID SARNOFF RESEARCH CENTER, INC. [US/US]; 201 Washington Road, CN5300, Princeton, NJ 08543-5300 (US). (72) Inventors: ZANZUCCHI, Peter, J.; 13 Jill Drive, Lawrenceville, NJ 08648 (US). CHERUKURI, Satyam, C.; 90 Cranbury Neck Road, Cranbury, NJ 08512 (US). MCBRIDE, Sterling, E.; 4124 Fieldcrest Court, Lawrenceville, NJ 08638 (US). DEMERS, Robert, R.; 26 Evans Drive, Cranbury, NJ 08512 (US). LEVINE, Aaron, W.; 6 Springwood Drive, Lawrenceville, NJ 08648 (US). (74) Agents: BURKE, William, J. et al.; David Saroff Research Center, Inc., 201 Washington Road CN5300, Princeton, NJ 08543-5300 (US).</p>	<p>(81) Designated States: AM, AU, BB, BG, BR, BY, CA, CN, CZ, EE, FI, GE, HU, IS, JP, KG, KP, KR, KZ, LK, LR, LT, LV, MD, MG, MN, MX, NO, NZ, PL, RO, RU, SG, SI, SK, TJ, TM, TT, UA, UZ, VN, European patent (AT, BE, CH, DE, DK, ES, FR, GB, GR, IE, IT, LU, MC, NL, PT, SE), OAPI patent (BF, BJ, CF, CG, CI, CM, GA, GN, ML, MR, NE, SN, TD, TG), ARIPO patent (KE, LS, MW, SD, SZ, UG). <b>Published</b> <i>With international search report.</i> <i>With amended claims.</i> Date of publication of the amended claims: 25 July 1996 (25.07.96)</p>	

(54) Title: LIQUID DISTRIBUTION SYSTEM

(57) Abstract

The present invention provides a liquid distribution system, which is useful in a number of contexts, including in accomplishing various synthetic, diagnostic and drug screening reactions. The distribution system can comprise an alpha reservoir (200A) and a beta reservoir (200B), a first set of parallel and adjacent first and second feeder channels (211A-211B) and a second set of parallel and adjacent third and fourth feeder channels (211C-211D) which are offset from the first and second feed channels (211A-211B), wherein (a) the first (211A) and third (211C) feeder channels are connected to the alpha reservoir (200A) via a first connector channel (211A) that is situated above or below the second (211B) and fourth feeder channels (211D) and are independent of the beta reservoir and (b) the second (211B) and fourth feeder channels (211D) are connected to the beta reservoir via a second connector channel (211B) that it situated above or below the first and third feeder channels (211A and 211C) and are independent of the alpha reservoir (200A). The distribution system is preferably a microscale distribution system. Various particular mechanisms for controlling flow into a liquid distribution system are described.



**FOR THE PURPOSES OF INFORMATION ONLY**

Codes used to identify States party to the PCT on the front pages of pamphlets publishing international applications under the PCT.

AT	Austria	GB	United Kingdom	MR	Mauritania
AU	Australia	GE	Georgia	MW	Malawi
BB	Barbados	GN	Guinea	NE	Niger
BE	Belgium	GR	Greece	NL	Netherlands
BF	Burkina Faso	HU	Hungary	NO	Norway
BG	Bulgaria	IE	Ireland	NZ	New Zealand
BJ	Benin	IT	Italy	PL	Poland
BR	Brazil	JP	Japan	PT	Portugal
BY	Belarus	KE	Kenya	RO	Romania
CA	Canada	KG	Kyrgystan	RU	Russian Federation
CF	Central African Republic	KP	Democratic People's Republic of Korea	SD	Sudan
CG	Congo	KR	Republic of Korea	SE	Sweden
CH	Switzerland	KZ	Kazakhstan	SI	Slovenia
CI	Côte d'Ivoire	LI	Liechtenstein	SK	Slovakia
CM	Cameroon	LK	Sri Lanka	SN	Senegal
CN	China	LU	Luxembourg	TD	Chad
CS	Czechoslovakia	LV	Latvia	TG	Togo
CZ	Czech Republic	MC	Monaco	TJ	Tajikistan
DE	Germany	MD	Republic of Moldova	TT	Trinidad and Tobago
DK	Denmark	MG	Madagascar	UA	Ukraine
ES	Spain	ML	Mali	US	United States of America
FI	Finland	MN	Mongolia	UZ	Uzbekistan
FR	France			VN	Viet Nam
GA	Gabon				

## AMENDED CLAIMS

[received by the International Bureau on 6 May 1996 (06.05.96);  
original claims 1-40 replaced by amended claims 1-60 (9 pages)]

reservoir extension channels are substantially perpendicular to the horizontal feeder channel segments and one or more of the second reservoir extension channels each cross above at least one horizontal feeder channel segment.

- 5                    10.    The distribution system of claim 9, further comprising one or more buffer channels, wherein at least one buffer channel is positioned adjacent to at least two first distribution channels and at least one second reservoir extension channel.
- 10                   11.    The distribution system of claim 4, further comprising:  
                  (b)    a controller; and  
                  (c)    a feedthrough plate attached to the top of the  
distribution plate comprising supply channels extending through the  
feedthrough plate to the first reservoirs and electrical leads extending through  
15 the feedthrough plate,  
                  wherein the distribution plate comprises pumps at  
each distribution channel connected to the controller by the electrical leads  
extending through the feedthrough plate.
- 20                   12.    The distribution system of claim 11, further  
comprising:  
                  (d)    a reaction well plate having one or more reaction cells  
that can be positioned below the distribution plate,  
                  wherein the distribution plate comprises conduits by  
25 which liquid can be moved from the distribution channels to the reaction cells  
under the control of the pumps.
13.    The distribution system of claim 11, wherein the first  
liquid level maintaining means comprises an overflow release channel  
30 connected to each first reservoir that drains any liquid above the first fill level.
14.    The distribution system of claim 11, wherein the

pumps in the distribution plate each comprise a first electrode and a second electrode and the controller can direct a pulsed voltage to the pumps to cause pumping.

5                   15. The distribution system of claim 14, wherein the controller comprises an electrical data storage device comprising a database of pumping programs for pumping one or more liquids.

10                   16. The distribution system of claim 14, wherein one or more of the pumps further comprise a third electrode and, for the three electrode pumps, the controller can (i) direct a pulsed voltage across the first and second electrodes or (ii) across the first and third electrodes.

15                   17. A liquid distribution system comprising:  
(a) a reservoir,  
(b) a channel addressable by the reservoir having a capillary barrier.

20                   18. The liquid distribution system of claim 17, wherein the capillary barrier comprises a dam.

25                   19. The liquid distribution system of claim 17, wherein the capillary barrier comprises one or more upwardly oriented sharp edges.

30                   20. The liquid distribution system of claim 1, further comprising a pump associated with the channel for pumping liquid past the capillary barrier.

35                   21. The liquid distribution system of claim 20, further comprising a reaction well and a conduit from the outlet of the capillary barrier to the reaction well.

22. The liquid distribution system of claim 21, wherein the pump is an electrode-based pump.

23. A liquid distribution system comprising:  
5 one or more continuous flow channels, each having a upstream end and a downstream end, wherein the continuous flow channels have an open zone at the downstream end,  
for each continuous flow channel, a branch channel extending off of that continuous flow channel in the open zone, and  
10 for each continuous flow channel, an alpha constrictor for constricting flow in the open zone located downstream of the branch channel inlet,  
wherein when a liquid flows through one of the continuous flow channels from the upstream to the downstream end a first  
15 ratio amount of fluid is diverted into the branch channel when the alpha constrictor is not operating and a second ratio amount, which is greater than the first ratio amount, flows into the branch channel when the alpha constrictor is in operation.

20 24. The distribution system of claim 23, further comprising, for at least one branch channel, a beta constrictor for constricting flow through the branch channel.

25 25. The distribution system of claim 23, wherein the system has two or more continuous flow channels and further comprising a buffer channel addressable by at least two continuous flow channels via their associated branch channels.

30 26. The distribution system of claim 25, further comprising a reaction cell and wherein the buffer channel is connected to a reaction cell conduit to the reaction cell and to an overflow conduit.



27. The distribution system of claim 26, wherein the reaction cell conduit has a gamma constrictor and the overflow conduit has a delta constrictor.

5                   28. A distribution system comprising:  
                    a reaction cell,  
                    two or more feeder channels,  
                    a separate conduit for each feeder channel connecting  
                    that feeder channel to the reaction cell, and  
10                   a expansion valve for each conduit, wherein the  
                    expansion valve has an expanded state that fills a cross-section of the conduit  
                    and prevents fluid flow through the conduit and an contracted state that  
                    allows fluid flow through the conduit.

15                   29. The distribution system of claim 28 further comprising  
                    at least about two cells, each separately addressable by two or more feeder  
                    channels via conduits each having a bubble expansion valve.

                    30. The distribution system of claim 28, wherein at least  
20                   one conduit has two or more expansion valves.

                    31. The distribution system of claim 30, wherein at least  
                    one conduit has three or more expansion valves which can be operated in  
                    concert to pump liquid from the connected feeder channel into the reaction  
25                   cell.

                    32. A liquid distribution system comprising:  
                    one or more feeder channels each made up of a feeder  
                    channel inlet and a feeder channel outlet and, connected to each such feeder  
30                   channel, a distribution channel, each feeder channel having a three-way  
                    junction connecting a feeder channel inlet, a feeder channel outlet and the  
                    connected distribution channel, the distribution channel connecting with a

reaction cell;

for each such three-way junction, a first electrode-based pump in the feeder channel inlet or in the feeder channel outlet; and

5 for each such three-way junction, a second electrode-based pump in the distribution channel,

wherein the voltages applied to the first electrode-based pump and the second electrode-based pump can be chosen (a) so that fluid in one of the feeder channels can be moved from the feeder channel inlet to the feeder channel outlet of the feeder channel with a first amount of flow into  
10 the connected distribution channel or (b) so that a second amount of flow which is greater than the first amount proceeds via the connected distribution channel.

33. The distribution system of claim 32, wherein for at  
15 least one such three-way junction there is a third electrode-based pump in whichever of the feeder channel inlet or feeder channel outlet lacks the first electrode-based pump.

34. The distribution system of claim 32, wherein one or  
20 more distribution channels have a capillary barrier.

35. The distribution system of claim 32, wherein the  
opening of one or more distribution channels at the three-way junction has a width that is about 50% or less of the width of the connected feeder channel.  
25

36. A liquid distribution system suitable for conducting reactions for chemical syntheses or chemical reactions involved in an assay, the distribution system comprising a reaction cell, a channel connected to the reaction cell and a pump situated in the channel comprising a first electrode,  
30 second electrode and third electrode.

37. The distribution system of claim 36, wherein the first

electrode and second electrode are spaced between about 100 microns and 2500 microns apart, and the spacing between the third electrode and the nearest of the first or second electrodes is between about 100 microns and 1000 microns.

5

38. The distribution system of claim 36, wherein the first electrode and second electrode are spaced between about 250 microns and 1000 microns apart, and the spacing between the third electrode and the nearest of the first or second electrodes is between about 250 microns and  
10 1000 microns.

39. The distribution system of claim 36, further comprising a controller that controls the operation of the pump, wherein the controller can operate any pair of electrodes in the pump.

15

40. The distribution system of claim 39, wherein the controller comprises an information storage means which stores pumping protocols for one or more liquids, each of which stored protocols include a designation of an appropriate pair of pump electrodes for pumping the liquid  
20 of the protocol.

41. An electrode-based pump comprising a first electrode and a second electrode, wherein the first and second electrodes have a diameter from about 25 microns to about 100 microns and are spaced from  
25 about 100 microns to about 2,500 microns apart.

42. The electrode-based pump of claim 41, wherein the pump is situated in a fluid channel of capillary dimensions.

30 43. The electrode-based pump of claim 42, wherein the first and second electrodes are from about 150 microns to about 1000 microns apart.

44. The electrode-based pump of claim 42, wherein the first and second electrodes are from about 250 microns to about 1000 microns apart.

5 45. The electrode-based pump of claim 42, wherein the first and second electrodes are from about 150 microns to about 250 microns apart.

46. An electrode-based pump comprising a first electrode,  
10 second electrode and third electrode.

47. The electrode-based pump of claim 46, wherein the pump is situated in a fluid channel of capillary dimensions.

15 48. The electrode-based pump of claim 47, wherein the first and second electrodes are spaced from about 100 microns to about 2,500 microns apart, and wherein the third electrode is spaced from about 200 micron to about 5,000 microns from the first electrode and is closer to the second electrode.

20 49. The electrode-based pump of claim 48, wherein the third electrode is spaced from about 500 micron to about 1,500 microns from the first electrode.

25 50. The electrode-based pump of claim 47, further comprising a fourth electrode.

51. The electrode-based pump of claim 50, wherein the third and fourth electrodes are spaced from about 200 micron to about 5,000  
30 microns apart.

52. The electrode-based pump of claim 51, wherein the

first and second electrodes shall be positioned between the third and fourth electrodes.

53. The electrode-based pump of claim 51, wherein the  
5 first and second electrodes are spaced from about 100 microns to about  
2,500 microns apart.

54. The electrode-based pump of claim 51, wherein the  
third and fourth electrodes are spaced from about 500 micron to about 1,500  
10 microns apart.

55. A method of changing the electrokinetic pumping  
parameters of a liquid, the method comprising

(a) selecting a pumping additive based on the pumping  
15 pressure, pumping flow rate and electrical efficiency exhibited by the additive,  
and

(b) mixing the pumping additive with the liquid to obtain a  
mixture having either (i) improved pumping pressure, pumping flow rate or  
electrical efficiency, or (ii) having a preference for pumping in a direction  
20 opposite that of the liquid, in the absence of pumping additive.

56. The method of claim 55, wherein the mixture obtained  
has a flow preference opposite that of the liquid.

57. The method of claim 55, wherein the mixture obtained  
has improved pumping pressure, pumping flow rate or electrical efficiency.

58. The method of claim 55, wherein the pumping additive  
comprises from about 0.05 % w/w to about 10 % w/w of mixture.

30

59. The method of claim 58, wherein the pumping additive  
comprises from about 0.1 % w/w to about 5 % w/w of the mixture

60. The method of claim 59, wherein the pumping additive comprises from about 0.1 % w/w to about 1 % w/w of the mixture.

**CORRECTED  
VERSION\***

**PCT**

WORLD INTELLECTUAL PROPERTY ORGANIZATION  
International Bureau



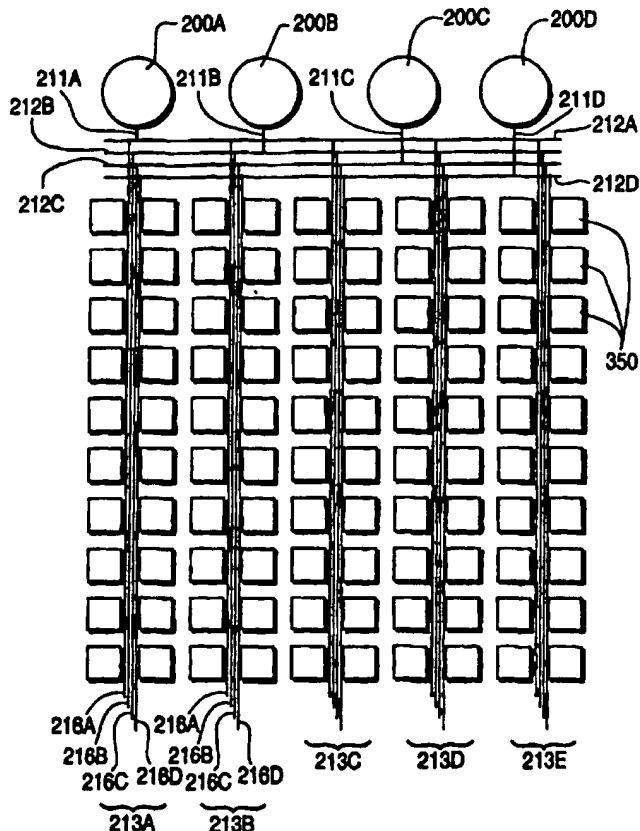
INTERNATIONAL APPLICATION PUBLISHED UNDER THE PATENT COOPERATION TREATY (PCT)

<p>(51) International Patent Classification <sup>6</sup> : <b>H02K 44/02, 44/04, H01J 41/18, F04D 33/00</b></p>	<p><b>A1</b></p>	<p>(11) International Publication Number: <b>WO 96/15576</b> (43) International Publication Date: 23 May 1996 (23.05.96)</p>
<p>(21) International Application Number: <b>PCT/US95/14590</b> (22) International Filing Date: 9 November 1995 (09.11.95) (30) Priority Data: 08/338,703 10 November 1994 (10.11.94) US 08/469,238 6 June 1995 (06.06.95) US 08/483,331 7 June 1995 (07.06.95) US (71) Applicant: <b>DAVID SARNOFF RESEARCH CENTER, INC.</b> [US/US]; 201 Washington Road, CN5300, Princeton, NJ 08543-5300 (US). (72) Inventors: <b>ZANZUCCHI, Peter, J.</b>; 13 Jill Drive, Lawrenceville, NJ 08648 (US). <b>CHERUKURI, Satyam, C.</b>; 90 Cranbury Neck Road, Cranbury, NJ 08512 (US). <b>MCBRIDE, Sterling, E.</b>; 4124 Fieldcrest Court, Lawrenceville, NJ 08638 (US). <b>DEMERS, Robert, R.</b>; 26 Evans Drive, Cranbury, NJ 08512 (US). <b>LEVINE, Aaron, W.</b>; 6 Springwood Drive, Lawrenceville, NJ 08648 (US). (74) Agents: <b>BURKE, William, J. et al.</b>; David Saroff Research Center, Inc., 201 Washington Road CNS300, Princeton, NJ 08543-5300 (US).</p>	<p>(81) Designated States: AM, AU, BB, BG, BR, BY, CA, CN, CZ, EE, FI, GE, HU, IS, JP, KG, KP, KR, KZ, LK, LR, LT, LV, MD, MG, MN, MX, NO, NZ, PL, RO, RU, SG, SI, SK, TJ, TM, TT, UA, UZ, VN, European patent (AT, BE, CH, DE, DK, ES, FR, GB, GR, IE, IT, LU, MC, NL, PT, SE), OAPI patent (BF, BJ, CF, CG, CI, CM, GA, GN, ML, MR, NE, SN, TD, TG), ARIPO patent (KE, LS, MW, SD, SZ, UG). <b>Published</b> <i>With international search report.</i> <i>With amended claims.</i> <b>Date of publication of the amended claims:</b> 25 July 1996 (25.07.96)</p>	

(54) Title: **LIQUID DISTRIBUTION SYSTEM**

(57) Abstract

The present invention provides a liquid distribution system, which is useful in a number of contexts, including in accomplishing various synthetic, diagnostic and drug screening reactions. The distribution system can comprise an alpha reservoir (200A) and a beta reservoir (200B), a first set of parallel and adjacent first and second feeder channels (211A-211B) and a second set of parallel and adjacent third and fourth feeder channels (211C-211D) which are offset from the first and second feed channels (211A-211B), wherein (a) the first (211A) and third (211C) feeder channels are connected to the alpha reservoir (200A) via a first connector channel (211A) that is situated above or below the second (211B) and fourth feeder channels (211D) and are independent of the beta reservoir and (b) the second (211B) and fourth feeder channels (211D) are connected to the beta reservoir via a second connector channel (211B) that it situated above or below the first and third feeder channels (211A and 211C) and are independent of the alpha reservoir (200A). The distribution system is preferably a microscale distribution system. Various particular mechanisms for controlling flow into a liquid distribution system are described.



\* (Referred to in PCT Gazette No. 39/1996, Section II)

**FOR THE PURPOSES OF INFORMATION ONLY**

Codes used to identify States party to the PCT on the front pages of pamphlets publishing international applications under the PCT.

AT	Austria	GB	United Kingdom	MR	Mauritania
AU	Australia	GE	Georgia	MW	Malawi
BB	Barbados	GN	Guinea	NE	Niger
BE	Belgium	GR	Greece	NL	Netherlands
BF	Burkina Faso	HU	Hungary	NO	Norway
BG	Bulgaria	IE	Ireland	NZ	New Zealand
BJ	Benin	IT	Italy	PL	Poland
BR	Brazil	JP	Japan	PT	Portugal
BY	Belarus	KE	Kenya	RO	Romania
CA	Canada	KG	Kyrgystan	RU	Russian Federation
CF	Central African Republic	KP	Democratic People's Republic of Korea	SD	Sudan
CG	Congo	KR	Republic of Korea	SE	Sweden
CH	Switzerland	KZ	Kazakhstan	SI	Slovenia
CI	Côte d'Ivoire	LI	Liechtenstein	SK	Slovakia
CM	Cameroon	LK	Sri Lanka	SN	Senegal
CN	China	LU	Luxembourg	TD	Chad
CS	Czechoslovakia	LV	Latvia	TG	Togo
CZ	Czech Republic	MC	Monaco	TJ	Tajikistan
DE	Germany	MD	Republic of Moldova	TT	Trinidad and Tobago
DK	Denmark	MG	Madagascar	UA	Ukraine
ES	Spain	ML	Mali	US	United States of America
FI	Finland	MN	Mongolia	UZ	Uzbekistan
FR	France			VN	Viet Nam
GA	Gabon				



## LIQUID DISTRIBUTION SYSTEM

This application relates to a method and system for manipulating fluids, which is useful in a number of contexts, including in accomplishing various synthetic, diagnostic and drug screening reactions.

- 5 More particularly, this invention relates to a system and method, which incorporates a layered array, for distributing reagent liquids while inhibiting the contamination or cross-contamination of these liquids.

Recently, a number of academic articles have focused on the problems associated with conducting chemical reactions on a micro-scale.

- 10 This literature has discussed the possibility of managing such reactions on wafer-sized solid supports that have been etched to create microchannels. Reactor systems of this scale could allow multiple diagnostic or drug screening assays to be conducted in a transportable device that uses small amounts of reagents, thus reducing supply and disposal costs.

- 15 One mechanism for developing new drugs not provided for by nature has been dubbed "rational" drug design. This process looks at the structures of biological macromolecules as determined by crystallography and at the structures of pharmacological agents known to interact with these macromolecules. With the use of computer workstations, it was hoped that
- 20 new pharmacological agents could be designed that had appropriately positioned functionalities for strongly interacting with the macromolecule. One difficulty with this approach is that growing crystals appropriate for crystallographic structural determinations is a tedious, empirical science. In many cases, it is unclear if appropriate crystals can be grown (for instance,
- 25 for the glycoprotein hormones such a chorionic gonadotropin or other glycoproteins). Another difficulty is that chemistry does not provide the malleable construction tools evoked by the phrase "design"; instead, chemical building blocks provide only a limited number of bond angles and lengths. For example, the structural routes by which a chlorine group might be positioned
- 30 in particular part of a drug-binding pocket in the macromolecule may be many, while the advantages or disadvantages of the ancillary structures needed to position this group are hard to "rationally" evaluate.

Combinatorial chemistry seeks to create its own "evolutionary" process that selects for compounds with the desired pharmacological activity. The key to making the process evolutionary is to generate large families of "mutants", in this case families of compounds with some chemical relatedness but with clear differences. The concepts of rational design may be taken advantage of in selecting the families of compounds to be explored by the combinatorial method.

Combinatorial chemistry seeks to generate new leads to classes of compounds that have potential pharmacological activity. Traditionally, such leads have been found by screening various plant or animal extracts for pharmacological activity. Such extracts are tedious to obtain, may have very small concentrations of potentially useful compounds, and at best only contain compounds selected by evolutionary pressures that may have nothing to do with the disease that is sought to be treated. After an extract has been identified, the process provides little information as to the identity of the active ingredient.

Combinatorial chemistry seeks to create the large, diverse family of compounds by permutation of a relatively limited set of building block chemicals. Preferably, the combinatorial method will create identifiable pools containing one or more synthetic compounds. These pools need not be identifiable by the chemical structure of the component compounds, but should be identifiable by the chemical protocol that created the compounds. These pools are then screened in an assay that is believed to correlate with a pharmacological activity. Those pools that produce promising results are examined further to identify the component compounds and to identify which of the component compounds are responsible for the results.

The follow-up protocol used to identify the active compounds in a combinatorial pool can also involve a combinatorial method. For instance, the promising pool could result from the reaction, first, of a mixture of compounds A, B and C, which compounds do not react with one another, with compounds D, E and F, which compounds do not react with one another but do react with compounds A, B or C. Second, the resulting compounds

are reacted with compounds G, H and I. To narrow the possible identity of the active compounds in the pool, the A-D, A-E, A-F, B-D, B-E, B-F, C-D, C-E and C-F products can be separately created by combinatorial chemistry and separately reacted with a the mixture of G, H and I. After this step, the  
5 sub-pool that is active in the screening assay generally will contain a more limited family of compounds.

Once promising molecules are identified by combinatorial chemistry, the identified molecules provide information that aides in the design of further combinatorial experiments. The full array of promising  
10 compounds identified by combinatorial chemistry can provide valuable information to guide traditional pharmaceutical chemistry efforts.

A popular tool in the emerging field of combinatorial chemistry is to attach the first chemical building blocks to solid support, typically a glass or polymeric support, such as the supports used in the well  
15 known Merrifield method for synthesizing polypeptides. This attachment provides a mechanism for quickly isolating product by simply washing away reactants and related impurities and decoupling the product from the support. In some cases, the support-coupled product can be assayed for pharmacological activity.

20 Miniaturization is usefully employed in combinatorial chemistry since: (i) workers generally seek compounds that are pharmacologically active in small concentrations; (ii) in creating a vast "evolutionary" assortment of candidate molecules it is preferable to have the numerous reactions well documented and preferably under the direction of a  
25 limited number of workers to establish reproducibility of technique; (iii) it is expensive to create a vast, traditionally-scaled synthetic chemistry complex for creating a sufficiently diverse family of candidate compounds; and (iv) substantial concerns are raised by the prospect of conducting assays of the products of combinatorial chemistry at more standard reaction scales.  
30 Miniaturization allows for the economic use of robotic control, thereby furthering reproducibility.

The wafer-sized devices described above can be ideal for

combinatorial chemistry, allowing for numerous synthetic chemistry reactions to be conducted substantially under computer control using only small quantities of reagents. However, the academic literature advocating such micro-scale devices has not adequately addressed fundamental issues in  
5 conducting combinatorial chemistry at this scale: for instance, how does one manage to shuttle reagents through a complex microscale device and accomplish this without significant cross-contamination while allowing a complex assortment of different syntheses to occur in a large number of microscale reaction vessels (e.g., 100 to 10,000) in the device? The present  
10 invention provides a microscale device that solves these issues.

#### **SUMMARY OF THE INVENTION**

The present invention provides a liquid distribution system, which is useful in a number of contexts, including accomplishing various synthetic, diagnostic and drug screening reactions. The distribution system  
15 can comprise an alpha reservoir and a beta reservoir, a first set of parallel and adjacent first and second feeder channels and a second set of parallel and adjacent third and fourth feeder channels which are offset from the first and second feeder channels, wherein (a) the first and third feeder channels are connected to the alpha reservoir via a first connector channel that is situated  
20 above or below the second and fourth feeder channels and are independent of the beta reservoir and (b) the second and fourth feeder channels are connected to the beta reservoir via a second connector channel that is situated above or below the first and third feeder channels and are independent of the alpha reservoir. The distribution system is preferably a  
25 microscale distribution system.

#### **BRIEF DESCRIPTION OF THE DRAWINGS**

Figure 1 shows a system of channels for addressing any of one hundred reaction cells with any of four fluids.

Figure 2 displays a distribution plate according to the  
30 invention.

Figure 3 displays an expanded view of a portion of the distribution plate of Figure 1.

**Figure 4A** shows a capillary barrier between a first distribution channel and a buffer channel.

**Figure 4B** shows a capillary barrier between a first distribution channel and a buffer channel and another capillary barrier  
5 between a buffer channel and a vertical channel.

**Figure 5** shows in three dimensions various cut-away views of the feedthrough plate, distribution plate and reaction cell plate of a distribution system of the invention.

**Figure 6A** shows a cross-section along an EW axis through a  
10 distribution channel.

**Figure 6B** shows a cross-section along an EW axis through a first reservoir.

**Figure 7** is a top view of a part of a distribution plate.

**Figure 8** shows a voltage pulse pattern used to power an  
15 electrode-based pump useful in the liquid distribution system of the invention.

**Figure 9** schematically illustrates a liquid distribution system of the preferential flow liquid distribution system.

**Figures 10A and 10B** show cross-sectional views of a liquid distribution system of the preferential flow liquid distribution system.

**Figure 11** shows a schematic top view of a liquid distribution  
20 system of the preferential flow liquid distribution system.

**Figure 12** shows a top view of a liquid distribution system of the expansion valve liquid distribution system.

**Figures 13A - 13C** show cross-sectional views of various  
25 embodiments of the expansion valve liquid distribution system

**Figure 14** shows a top view of a portion of an electrode-based liquid distribution system.

**Figures 15A and 15B** illustrate reaction cell designs.

**Figures 16A - 16D** show various capillary barrier designs.

**Figure 17** shows a device for conducting field assisted  
30 bonding of plates.

**Figures 18A and 18B** show a channel device having

electrode-based pumps.

Figure 19 shows a liquid distribution system design pursuant to the hydrologic liquid distribution system.

Figure 20 shows a reaction cell having a heater and a  
5 thermocouple.

Figures 21A and 21B show a valve design.

### DEFINITIONS

The following terms shall have the meaning set forth below:

- **addressable** a reaction cell or channel is "addressable" by a reservoir or another channel if liquid from the reservoir or other channel can be directed to the reaction cell or channel.
- 10 • **adjacent** "adjacent" as used in these situations: (i) a first structure in one of the plates is adjacent to a second structure in the same or another plate if the vertical projection of the first structure onto the plate of the second structure superimposes the first structure on the second or places it within about 250  $\mu\text{m}$  of the second; and (ii) groupings of two or more channels are adjacent to one another if each channel is in substantially the same horizontal plane, and all but the outside two channels in the grouping are adjacent (in the sense defined in (i) above) to two neighbor channels in the grouping. Preferably, under item (i), a first structure is adjacent to a second structure if the vertical projection of the first structure onto the plate of the second structure superimposes the first structure on the second or places it within about 150  $\mu\text{m}$  of the second.

- **capillary dimensions** dimensions that favor capillary flow of a liquid. Typically, channels of capillary dimensions are no wider than about 1.5 mm. Preferably channels are no wider than about 500  $\mu\text{m}$ , yet more preferably no wider than about 250  $\mu\text{m}$ , still more preferably no wider than about 150 $\mu\text{m}$ .
- **capillary barrier** a barrier to fluid flow in a channel comprising an opening of the channel into a larger space designed to favor the formation, by liquid in the channel, of an energy minimizing liquid surface such as a meniscus at the opening. Preferably, capillary barriers include a dam that raises the vertical height of the channel immediately before the opening into the larger space.
- **connected** the channels, reservoirs and reaction cells of the invention are "connected" if there is a route allowing fluid between them, which route does not involve using a reaction cell as part of the link.
- **continuous flow channel** a channel having an overflow outlet allowing for fluid to continuously flow through the channel.
- **directly connected** reservoirs and horizontal channels are "directly connected" if they are connected and either (1) no other channel is interposed between them or (2) only a single vertical channel is interposed between them.

- **expansion valve** an expandable chamber, associated with a fluid channel, which chamber (a) is filled with a gas or a liquid with a boiling point within about 10°C of the intended operating temperature of the liquid distribution system and (b) has an associated heater element for heating the expandable chamber to boil the liquid or expand the gas to cause sufficient expansion of the expandable chamber to fill a cross-section of the fluid channel.
- **hole diameter** because techniques for fabricating small holes often create holes that are wider at one end than the other (for instance, about 50 microns wider), the hole diameter values recited to herein refer to the narrowest diameter.
- **horizontal, vertical, EW, NS** indications of the orientation of a part of the distribution system refer to the orientation when the device is in use. The notations "EW axis" and "NS axis" are in reference to Figures 1, 2, 3 and 7, where an EW axis goes from right to left and is perpendicular to the long axis of the page and a NS axis is from top to bottom parallel to the long axis of the page.
- **independent** channels, reservoirs or reaction cells that are not connected.
- **offset** two sets of channels are "offset" when none of the channels in the first such set is adjacent to any of the channels in the second set.



- **open zone** a region of a channel that widens to decrease the flow-induced pressure of a fluid flowing through the channel.
- **perpendicular** channels in the distribution plate are perpendicular even if primarily located on separate horizontal planes if their vertical projections onto the same horizontal plane are perpendicular.
- **reservoir** unless a different meaning is apparent from the context, the terms "reservoir" and "fluid reservoir" include the horizontal extension channels (sometimes simply termed "extensions") directly connected to the reservoir or fluid reservoir.
- **second reservoir extension channels** these extension channels include the distribution channels that may branch off of these extension channels.
- **substantially the length of one of the horizontal dimensions** at least about 70% of one of the major horizontal dimensions (e.g. the EW or NS dimensions illustrated in the Figures) of the distribution plate.

- **U-plumbing channel** a channel designed to connect at least two channels or reservoirs such that the liquid level in one of the connected channels or reservoirs will equalize with the liquid level in the other connected channel or reservoirs due to hydrological forces. U-plumbing channels typically have vertical channels that connect channels or reservoirs located in a higher vertical plane with a substantially horizontal channel segment of the U-plumbing channel located in a lower plane -- these vertical and horizontal segments together comprise the U-plumbing channel. The feeder channels of the invention are typically U-plumbing channels.

#### **DETAILED DESCRIPTION**

One version of the invention is a hydrologic liquid distribution system comprising: a distribution plate comprising: a least two first  
5 reservoirs having a common first fill level; at least one feeder channel  
connected to and extending from each of the first reservoirs, each feeder  
channel having a horizontal feeder channel segment, wherein the top of the  
horizontal feeder channel segment is below the first fill level; at least one  
distribution channel connected to each feeder channel having a second fill  
10 level at substantially the same elevation as the first fill level; and a first liquid  
level maintaining means for maintaining the liquid level in each first reservoir  
at the first fill level, wherein filling each first reservoir to the first fill level  
results in the filling of the connected feeder channels and filling the connected  
distribution channels to the second fill level. The distribution channels  
15 preferably have at least one capillary barrier.

The distribution plate is preferably coupled with a feedthrough plate that fits above the distribution plate and provides channels or conduits to allow for the passage of liquids or electrical leads through to the distribution plate. A detachable reaction cell plate is preferably coupled

underneath the distribution plate and contains one or more, more preferably two or more, reaction cells into which liquids from at least two reservoirs may be distributed via the distribution plate. The reaction cell plate preferably contains about 100 or more reaction cells, each addressable by at least two  
5 reservoirs. More preferably the reaction cell plate contains about 1,000 or more reaction cells, each addressable by at least two reservoirs. Yet more preferably the reaction cell plate contains about 10,000 or more reaction cells, each addressable by at least two reservoirs.

The distribution plate preferably has multiple first reservoirs.

10 The first reservoirs can have a primary reservoir portion and one or more first reservoir extension channels, which preferably together extend along substantially the length of one of the horizontal dimensions of the distribution plate. Two or more such extended first reservoirs are preferably adjacent and parallelly arrayed along one side of the distribution plate. In some  
15 embodiments, it is desirable to relay liquid from two or more of such parallel, extended first reservoirs to each of two or more reaction cells arrayed along a substantially straight line (the "linear" reaction cells). To accomplish this liquid relay, preferably a first feeder channel extends from the parallel first reservoir nearest the edge of the distribution plate and underneath the  
20 interiorly located parallel first reservoirs, while separate, feeder channels, located adjacent to and parallel to the first feeder channel, extend from the interiorly located parallel first reservoirs passing beneath other first reservoirs as needed to maintain the segregation of the liquids in the reservoirs. In this preferred embodiment, arrayed adjacent to the location of each of the linear  
25 reaction cells are one distribution channel for each such first reservoir, each such distribution channel connected to a separate one of the parallel feeder channels. Thus, the distribution channels located adjacent to a reaction cell form a "bundle" of distribution channels. Using pumps located in each of the bundled distribution channels and conduits from each bundled distribution  
30 channel to the adjacent reaction cell, liquid from each of the separate first reservoirs can be distributed to any of the linear reaction cells.

Each distribution channel preferably includes at least one

pump, which preferably comprises two or three electrodes. To operate the pumps in an appropriate sequence, the distribution system of the invention is preferably connected to a controller that controls each of the pumps. The preferred two electrode pumps preferably are operated by applying a pulsed  
5 voltage program appropriate for moving the liquid sought to be pumped. Preferably, the controller includes a data storage device comprising a database of pumping programs designating parameters, such as the pulse length, voltage amplitude, pulse shape and voltage polarity, suitable for moving each of a plurality of liquids.

10 The invention further relates to a preferential flow liquid distribution system, which is suitable, for example, for conducting reactions for chemical syntheses or chemical reactions involved in an assay, the distribution system comprising: two or more continuous flow channels, each having an upstream end and a downstream end, wherein the continuous flow  
15 channels have an open zone at the downstream end; for each continuous flow channel, a branch channel extending off of that continuous flow channel in the open zone; and, for each continuous flow channel, an alpha constrictor for constricting flow in the open zone, the alpha constrictor located downstream of the branch channel inlet, wherein when a liquid flows through  
20 one of the continuous flow channels from the first to the second end a first ratio amount of fluid is diverted into the branch channel when the alpha constrictor is not operating and a second ratio amount, which is greater than the first ratio amount, flows into the branch channel when the alpha constrictor is in operation. Preferably, the branch channel inlets are within  
25 about 300 microns of the upstream point at which the open zone begins. Preferably, the distribution system has, for at least one branch channel, a beta constrictor for constricting flow through the branch channel. In another preferred embodiment, the distribution system has a buffer channel addressable by at least two continuous flow channels via their associated  
30 branch channels.

The invention additionally relates to a expansion valve liquid distribution system made up of a reaction cell, two or more feeder channels, a

separate conduit for each feeder channel connecting that feeder channel to the reaction cell, and an expansion valve for each conduit, wherein the expansion valve has an expanded state that fills a cross-section of the conduit and prevents fluid flow through the conduit and a contracted state that  
5 allows fluid flow through the conduit. In a preferred embodiment, conduits have two or more, preferably three or more, expansion valves which can be operated in concert to pump liquid from the connected feeder channel into the reaction cell.

The invention further relates to an electrode-based liquid  
10 distribution system made up of (a) one or more, preferably two or more, feeder channels each made up of a feeder channel inlet and a feeder channel outlet and, connected to each such feeder channel, a distribution channel, each feeder channel having a three-way junction connecting a feeder channel inlet, a feeder channel outlet and the connected distribution channel, the  
15 distribution channel connecting with a reaction cell, (b) for each such three-way junction, a first electrode-based pump in the feeder channel inlet or in the feeder channel outlet and (c) for each such three-way junction, a second electrode-based pump in the distribution channel, wherein the voltages applied to the first electrode-based pump and the second  
20 electrode-based pump can be chosen (i) so that fluid in one of the feeder channels can be moved from the feeder channel inlet to the feeder channel outlet of the feeder channel without substantial flow into the connected distribution channel or (ii) so that a substantial amount of flow proceeds via the connected distribution channel.

25 **A. A Basic Liquid Distribution System**

The invention relates to methods of addressing a large number of reaction cells 350 with a plurality of fluid reservoirs 200 (see Figures 1 and 2). In figure 1, reservoirs 200A - 200D are connected to reservoir extension channels 212A - 212D via first connector channels 211A -  
30 211D, respectively. The ceilings of first connector channels 211A - 211D are located in a lower horizontal plane than the floors of extension channels 212A - 212D, thereby assuring, for instance, that fluid from reservoir 200B does

not leak into the extension channel 212A connected to reservoir 200A. Each first connector channel 211A - 211D connects with its respective reservoir extension 212A - 212D via vertical channels (not illustrated). Connected to extension channels 212A - 212D are first, second, third, fourth and fifth sets  
5 213A - 213E of first, second, third and fourth feeder channels 216A - 216D. The ceilings of these feeder channels are located in a horizontal plane beneath the floors of the extension channels 212A - 212D. Via these extension channels, fluid from each of the four first fluid reservoirs 200A - 200D can be brought to a location adjacent to any of the one hundred reaction cells 350  
10 into which the fluid can be moved under the control of pumps or valves as described hereinbelow. Note that reaction cells 350 are located in a lower horizontal plane than first, second, third and fourth feeder channels 216A - 216D. Other geometries by which a large number of reaction cells can be addressed by separated fluid reservoirs are described below.

15 Features of other distribution systems described in this application can be applied to this embodiment, irrespective of under which subheading they are described. It will be understood by those of ordinary skill that while the embodiments of the invention are described with reference to channels that join at orthogonal angles, other angles are possible. In  
20 preferred embodiments of the invention, the operational flow rate (i.e., the flow rate when the appropriate flow-inducing mechanisms are activated) from a given reservoir (e.g. first fluid reservoir 200) to a given reaction cell 350 is from about  $0.01\mu\text{l}/\text{min}$  to about  $10\mu\text{l}/\text{min}$ , more preferably from about  $0.1\mu\text{l}/\text{min}$  to about  $0.3\mu\text{l}/\text{min}$ .

## 25 **B. Hydrologic Liquid Distribution System**

### *i. the distribution, feedthrough and reaction cell plates*

Typically, the liquid distribution system of the invention will be formed of at least three plates, a feedthrough plate 300, a distribution plate 310 and a reaction cell plate 320. The feedthrough plate 300 is  
30 typically bonded to the distribution plate 310 using one of the methods described below. The reaction cell plate 320 is typically removably fitted to the underside of the distribution plate 310, or the underside of intermediate

plate 330 (not illustrated) interposed between the distribution plate 310 and the reaction cell plate 320.

Figure 2 shows the layout of a distribution plate 310 according to the invention. Figure 3 shows an expanded view of a portion of  
5 a distribution plate 310 that better illustrates some of the features obscured by the scale of Figure 2. Typically, the structures indicated in solid lines will be formed in the top layer of the distribution plate 310, while the structures indicated with dotted lines will be formed in the bottom layer of the distribution plate 310, except that in Figure 2 the reaction cells 350 are  
10 indicated by boxes in solid lines even though these structures are located in a lower plane. Where appropriate, vertical channels connect the structures in the top of the distribution plate 310 with those in the bottom. For convenience, the axis from the top of the illustration to the bottom is designated the NS axis, while the axis from right to left is the EW axis.

15 At the top of Figure 2 are four first fluid reservoirs 200A, 200B, 200C and 200D, each having a defined fill level. Each of these first fluid reservoirs 200A, 200B, 200C and 200D has two first reservoir extensions 212 extending along substantially all of an EW axis of the distribution plate 310. The ceilings of the first reservoir extensions 212  
20 preferably are at substantially the same elevation as the first fill level. At five staggered locations, A1, B1, C1, D1 and E1, along the EW axis of the first reservoir extensions 212 there are four first vertical channels 214 (see Figures 5 and 6B) that connect the first reservoir extensions 212 with four first horizontal feeder channel segments 216 that are formed in the bottom layer  
25 of the distribution plate 310. At each staggered location A1, B1, C1, D1 or E1, four adjacent first horizontal feeder channel segments 216, which are connected to separate first reservoir extensions 212, extend along an NS axis to ten positions, A2, B2, C2, D2, E2, F2, G2, H2, I2 and J2. Each position A2, B2, C2, D2, E2, F2, G2, I2 or J2 along the course of each such set of  
30 four adjacent horizontal feeder channel segments 216 is adjacent to a pair of reaction cells 350 (see Figures 5 and 6B). At these positions A2, B2, C2, D2, E2, F2, G2, H2, I2, or J2, the four adjacent first horizontal feeder channel

segments 216 are separately connected, via separate second vertical channels 225 (see Figures 4A, 4B, 5 and 6A), to each of four perpendicular first distribution channels 222 formed in the top layer of the distribution plate 310. The ceilings of the first distribution channels 222 define a second fill level that is typically substantially the elevation of the first fill level. The fill level of a distribution channel (e.g., the second fill level) is "substantially" the fill level of the connected reservoir (e.g., the first fill level) if they are offset vertically by no more than about 10% of the depth of the channel; even if the fill levels are further offset vertically they are still substantially the same if filling the reservoir to its fill level results in filling the connected distribution channel and the retention of fluid in the connected distribution channel (for instance, retention due to the capillary barriers described further below with reference to Figure 4A). The combination of a first vertical channel 214, connected to a horizontal feeder channel segment 216, in turn connected to a second vertical channel 225 makes up a first feeder channel 217 (not identified in the Figures).

If liquids are maintained at a defined first level in a first fluid reservoir 200, then substantially the same level will be maintained in the first distribution channels 222 connected to that first fluid reservoir 200 via first feeder channels 217. This equalization occurs due to the principle that two connected bodies of liquid will tend to seek the same level and, where the size of the channels allows, due to capillary flow. Liquids are maintained at a defined level in the first fluid reservoirs. In the illustrated embodiment, liquid is fed into the fluid reservoir 200 through channels in the feedthrough plate 300 and such liquid that is not needed to fill the fluid reservoirs to the defined level is drained through drains 380. First openings 381 (not shown) are formed in the bottom layer of the feedthrough plate 300 to create a liquid connection or sluice between the first fluid reservoirs 200 and the drains 380. Liquids are constantly feed into the first fluid reservoirs 200 (as well as the second fluid reservoirs 210 and third fluid reservoirs 220) typically by the use of an external pump 15 (not shown), such as the model number 205U multichannel cassette pump available from Watson-Marlow, Inc.



Alternatively, a defined level can be maintained by monitoring the level of liquid in the first fluid reservoirs 200 (or second fluid reservoirs 210 or third fluid reservoirs 220) and only activating the pumps feeding liquid to a given fluid reservoir when needed to maintain the defined level.

5                    Each set of four adjacent first distribution channels 222 are adjacent to two buffer channels 218, located to each side of the first distribution channels 222 along the EW axis. Liquid can be pumped from any first distribution channel 222 into the adjacent buffer channel 218 by activating the first pump 360 (indicated in Figure 3 by two filled dots  
10 representing the electrodes of one type of pump) of the first distribution channel 222. This pumping creates additional pressure that moves the liquid over capillary barrier 370 (see Figures 4A, 4B and 5) separating the first distribution channel 222 and the buffer channel 218. Between each first distribution channel 222, second distribution channel 224 or third distribution  
15 channel 226 and the adjacent buffer channel 218 and between each buffer channel 218 and its adjacent third vertical channel 390 (described below) there is such a capillary barrier 370 that inhibits liquid flow when the pumps are not activated. Second openings 362 (see Figures 4A and 4B) are formed in the bottom layer of the feedthrough plate 300 to create a liquid connection  
20 or sluice between the first distribution channels 222 and the buffer channels 218. From a buffer channel 218, liquid can be pumped using a second pump 361 (indicated in Figure 3 by two filled dots representing the electrodes of one type of pump) to a third vertical channel 390 that connects with a reaction cell in the reaction cell plate 320. Third openings 363 (see Figures  
25 4A and 4B) in the bottom layer of the feedthrough plate 300 or the distribution plate 310 serve to create a liquid connection or sluice between the buffer channels 218 and third vertical channels 390.

Figure 4A illustrates a capillary barrier 370, at which a meniscus 371 forms, at the junction between a first distribution channel 222  
30 containing liquid 11 and either a buffer channel 218 or a third vertical channel 390. The meniscus 371 formed at the outlet of first distribution channel 222 into buffer channel 218 will tend to inhibit seepage from the first distribution

channel 222, such as the seepage that can result from capillary forces. Figure 4B shows, in a variation of the distribution system illustrated in Figures 2 and 3, capillary barriers 370 at the junction between first distribution channel 222 and buffer channel 218 and at the junction between buffer channel 218 and third vertical channel 390. Also shown are first electrode 360A and second electrode 360B making up first pump 360 and third electrode 361A and fourth electrode 361B making up pump 361. In some embodiments there are vents (not illustrated) that extend through the feedthrough plate 300 at the tops of buffer channel 218 or third vertical channel 390.

Note that only a small cut-away of NS oriented horizontal feeder channel segments 216 are shown in Figures 4A and 4B. Typically, these channels extend inwardly and outwardly from the illustrated cut-away and connect with additional first distribution channels 222 situated to distribute liquid to other reaction cells 350.

Along the right side of the distribution plate 310 are ten second fluid reservoirs 210, each having a second reservoir extension 240 extending along an EW axis. Second distribution channels 224 form "L"-extensions off of second reservoir extensions 240 and are each positioned adjacent to a separate buffer channel 218, such that there are ten second distribution channels 224 extending off of each second reservoir extension 240. Each second distribution channel 224 has a pump 360 that can move liquid from a second distribution channel 224 to the adjacent buffer channel 218. Second openings 362 (not shown) in the bottom of feedthrough plate 300 serve to provide a sluice or route of liquid connection between the second distribution channels 224 and the buffer channels 218. Liquid moves from the buffer channels 218 to the reaction cells as described above. Located adjacent to each second reservoir 210 is a drain 380 (not shown) that operates to maintain a defined third fill level as described above.

As will be described further below in Section H in reference to Figures 16A - 16D, the capillary barriers 370 and sluices created by the second openings 362 or third openings 363 act as a combined valve and

pump. The capillary barriers 370 prevent flow to the reaction cell, which flow would be favored by capillary forces, until the first pumps 360 or second pumps 361 provide the extra pressure needed to overcome the capillary barriers 370. Narrowing the sluices can increase the capillary forces favoring  
5 flow, thereby reducing the amount of added pressure needed to overcome the capillary barriers 370. The use of the capillary barriers 370 allows flow control to be governed by the first pumps 360 or second pumps 361, which are typically controlled by controller 10.

Located along the bottom edge of the distribution plate  
10 illustrated in Figure 1 are ten third liquid fluid reservoirs 220. Horizontal feeder channel segments 230 are connected to the third fluid reservoirs 220 and to third distribution channels 226 via fourth vertical channels 227. The third distribution channels 226 have first pumps 360 which can move liquid into adjacent buffer channels 218 via openings 362 (not shown) in the  
15 feedthrough plate 300. Located adjacent to each third fluid reservoir 220 is a drain 380 (not shown) that operates to maintain a defined fourth fill level as described above. Third fluid reservoirs 220 and connected third distribution channels 226 operate in just the same way as first fluid reservoirs 200 and first distribution channels 222. Those of ordinary skill in the art will readily  
20 envision alternative geometries wherein a number of separate third fluid reservoirs 220 can interact with a given buffer channel 218 via a number of third distribution channels 226 positioned adjacent to the buffer channel 218. Located adjacent to each third reservoir 220 is a drain 380 (not shown) that operates to maintain a defined third fill level as described above.

25 Figure 5 shows perspective views of portions of feedthrough plate 300, distribution plate 310 and reaction cell plate 320.

Figure 6A shows a vertical cross-section along an EW axis that slices through a first distribution channel 222. Underneath the first distribution channel 222 can be seen four horizontal feeder channel segments  
30 216, only one of which is connected to the first distribution channel via visible second vertical channel 225. Leads 303 and 304 which connect the electrodes of the first pumps 360 and second pumps 361 are illustrated.

Third vertical channel 390 connects buffer channel 218 to reaction cell 350, which has a drain 355.

Figure 6B shows a vertical cross-section along an EW axis that slices through a first fluid reservoir 200. From first fluid reservoirs  
5 extensions 212 can be seen two first vertical channels 214 that each connect to a separate horizontal feeder channel segment 216. Drain 380 for first fluid reservoir 200 is indicated by dotted lines. In the illustrated distribution system, first fluid reservoir 200 opens to the top of feedthrough plate 300 via fourth openings 302.

10 The operation of the liquid distribution system can be described with reference to Figure 7. Liquid can be distributed to first reaction cell 350AA (not shown) connected to third vertical channel 390A from any of first, second or third fluid reservoirs 200A, 200B, 200C, 200D, 210A or 220A. If "liquid A" is maintained at first fluid level in fluid reservoir  
15 200A, liquid A will flow through the connected vertical channels 214 into the connected horizontal feeder channel segments 216A, 216A2, 216A3, 216A4 and 216A5 and into the connected distribution channels 222A1, 222A2, and so on. From first distribution channel 222A1, liquid A is pumped into first buffer channel 218AA using pump 360A under the control of controller 10  
20 (not shown). From first buffer channel 218AA, liquid A is pumped into first reaction cell 350AA via third vertical channel 390A using pump 361A under the control of controller 10.

When a distribution plate 310 according to the invention makes use of a buffer channel 218 and the buffer channel 218 lacks a vent to  
25 the outside atmosphere, the relationship between the pumping rate of a first pump 360 that pumps liquid into the buffer channel 218 and the pumping rate of a second pump 361 that pumps liquid from the buffer channel 218 to a reaction cell 350 can be manipulated to advantage. When a first pump 360 moves liquid from, for instance, distribution channel 222A1 (Figure 7), a  
30 pressure increase is created in buffer channel 218 which inhibits flow past the capillary barriers for distribution channels 222B1, 222C1, 222D1, 224AA and 226AA. A delay in the corresponding activation of second pump 361 will

result in this cross-contamination inhibiting pressure being maintained. The buffer channel 218 further serves to dilute any accidental overflows from distribution channels containing reagents not intended for the adjacent reaction cell 350. This dilution will typically reduce the concentration of reactive reagents beneath the concentration effective in the reaction process that is intended for the adjacent reaction cell 350.

Note that in the illustrated embodiment, each of six solutions or solvents can be distributed to each of one hundred reaction cells 350 from first, second and third fluid reservoirs 200A, 200B, 200C, 200D, 210 and 220. Each of the ten second fluid reservoirs 210, or each of the ten third fluid reservoirs 220, can contain a separate solution or solvent intended for use in the ten associated reaction cells that can be addressed by the fluid reservoir. The four first fluid reservoirs 200A, 200B, 200C and 200D each can address any of the one hundred reaction cells 350. Further flexibility is available by flushing a given fluid reservoir with a new solution or solvent when appropriate during a protocol.

Note that the buffer channels 218 are optional. Buffer channels 218 can be avoided by providing for direct conduits from the outlets of distribution channels (which outlets are preferably capillary barriers 370) to the appropriate reaction cell 350.

The fluid reservoirs (e.g. first, second and third fluid reservoirs 200, 210 and 220) are typically simply expanded (i.e. wider) portions of the attached extension channels. Preferably, the liquid in the fluid reservoirs is maintained within  $\pm 10\%$  of the difference between the floor of the fluid reservoir and its fill level. Replenishment of the liquid in the reservoirs can be continuous, step-wise on a defined schedule, or based on sensor data feed to controller 10. The drains 380 are designed to remove any excess fluid added to the reservoir by use of external pump 15. The fluid reservoirs, filled to the respective fill level, preferably have a volume from about  $1\ \mu\text{l}$  to about  $5\ \mu\text{l}$ , more preferably about  $0.25\ \mu\text{l}$ . Thus, in the more preferred embodiment, the volume in the fluid reservoirs will preferably be  $2.5\ \mu\text{l} \pm 0.25\ \mu\text{l}$ . Appropriate peristaltic pumps, such as the model number 205U

multichannel cassette pump available from Watson-Marlow, Inc., can deliver liquid at rates as low as 1  $\mu$ l per second. Such pumps need only be activated for a fraction of a second to adequately recharge a fluid reservoir.

The above discussion describes the distribution system as  
5 being formed with a feedthrough plate 300, distribution plate 310 and reaction cell plate 320. However, it will be clear that additional plates can conveniently be incorporated into the distribution system. For instance, a intermediate plate 330 is, in a preferred embodiment, permanently bonded  
10 underneath the distribution plate 310 and interposed between the distribution plate 310 and the reaction cell plate 320. The use of the intermediate plate 330 allows for much greater flexibility in the design of the channels the form the distribution system.

ii. the pumps

15 Any pumping device of suitable dimensions can be used as the internal first pumps 360 or second pumps 361 in the liquid distribution system of the invention. Such pumps can include microelectromechanical systems (MEMS) such as reported by Shoji et al., "Fabrication of a Pump for Integrated Chemical Analyzing Systems," *Electronics and Communications in*  
20 *Japan*, Part 2, 70: 52-59, 1989 or Esashi et al., "Normally closed microvalve and pump fabricated on a Silicon Wafer," *Sensors and Actuators*, 20: 163-169, 1989 or piezo-electric pumps such as described in Moroney et al., "Ultrasonically Induced Microtransport," *Proc. MEMS*, 91: 277-282, 1991. Preferably, however, the first pumps 360 and second pumps 361 have no  
25 moving parts. Such first pumps 360 or second pumps 361 can comprise electrode-based pumps. At least two types of such electrode-based pumping has been described, typically under the names "electrohydrodynamic pumping" (EHD) and "electroosmosis" (EO). EHD pumping has been described by Bart et al., "Microfabricated Electrohydrodynamic Pumps,"  
30 *Sensors and Actuators*, A21-A23: 193-197, 1990 and Richter et al., "A Micromachined Electrohydrodynamic Pump," *Sensors and Actuators*, A29:159-168, 1991. EO pumps have been described by Dasgupta et al.,

"Electroosmosis: A Reliable Fluid Propulsion System for Flow Injection Analysis," *Anal. Chem.*, 66: 1792-1798, 1994.

EO pumping is believed to take advantage of the principle that the surfaces of many solids, including quartz, glass and the like, become  
5 charged, negatively or positively, in the presence of ionic materials, such as salts, acids or bases. The charged surfaces will attract oppositely charged counter ions in solutions of suitable conductivity. The application of a voltage to such a solution results in a migration of the counter ions to the oppositely  
10 charged electrode, and moves the bulk of the fluid as well. The volume flow rate is proportional to the current, and the volume flow generated in the fluid is also proportional to the applied voltage. Typically, in channels of capillary dimensions, the electrodes effecting flow can be spaced further apart than in EHD pumping, since the electrodes are only involved in applying force, and not, as in EHD, in creating charges on which the force will act. EO pumping  
15 is generally perceived as a method appropriate for pumping conductive solutions.

EHD pumps have typically been viewed as suitable for moving fluids of extremely low conductivity, e.g.,  $10^{-14}$  to  $10^{-9}$  S/cm. It has now been demonstrated herein that a broad range of solvents and solutions  
20 can be pumped using appropriate solutes than facilitate pumping, using appropriate electrode spacings and geometries, or using appropriate pulsed or d.c. voltages to power the electrodes, as described further below.

The electrodes of first pumps 360 and second pumps 361 used in the liquid distribution system preferably have a diameter from about  
25 25 microns to about 100 microns, more preferably from about 50 microns to about 75 microns. Preferably, the electrodes protrude from the top of a channel to a depth of from about 5 % to about 95 % of the depth of the channel, more preferably from about 25 % to about 50 % of the depth of the channel. Usually, as a result the electrodes, defined as the elements that  
30 interact with fluid, are from about 5 microns to about 95 microns in length, preferably from about 25 microns about to 50 microns. Preferably, a pump includes an alpha electrode 364 (such as first electrode 360A or third

electrode 361A) and a beta electrode 365 (such as third electrode 360B and fourth electrode 361B) that are preferably spaced from about 100 microns to about 2,500 microns apart, more preferably, from about 250 microns to about 1000 microns apart, yet more preferably, from about 150 microns to  
5 about 250 microns apart. The separation of electrodes is measured from the center points of the electrodes as they first protrude into their associated fluid channel. In a particularly preferred embodiment, a gamma electrode 366 (not shown) is spaced from about 200 microns to about 5,000 microns, more preferably from about 500 microns to about 1,500 microns, yet more  
10 preferably about 1,000 microns from the farther of the alpha electrode 364 and the beta electrode 365. In an alternative preferred embodiment, the pump has two additional electrodes comprising a gamma electrode 366 (not shown) and a delta electrode 367 that are spaced from about 200 microns to about 5,000 microns, more preferably from about 500 microns to about  
15 1,500 microns, yet more preferably about 1,000 microns apart. Where the electrodes are located in fluid channels that have bends, the distances are measured along a line that defines the center line of the fluid channel. In contexts where relatively low conductivity fluids are pumped, voltages are applied across the alpha electrode 364 and the beta electrode 365, while in  
20 contexts where relatively more highly conductive fluids are pumped the voltage is induced between gamma electrode 366 and one of alpha electrode 364, beta electrode 365 or delta electrode 367. The latter circumstance typically applies for solvents traditionally pumped with EO pumping, although this invention is not limited to any theory that has developed around the  
25 concepts of EHD or EO pumping. No firm rules dictate which electrode combination is appropriate for a given solvent or solution; instead an appropriate combination can be determined empirically in light of the disclosures herein.

The voltages used across alpha and beta electrodes 364 and  
30 365 when the pump is operated in d.c. mode are typically from about 50 V to about 2,000 V, preferably from about 100 V to about 750 V, more preferably from about 200 V to about 300 V. The voltages used across gamma



electrode 366 and alpha, beta or delta electrodes 364, 365 or 367 when the pump is operated in d.c. mode are typically from about 50 V to about 2,000 V, preferably from about 100 V to about 750 V, more preferably from about 200 V to about 300 V. The voltages used across alpha and beta electrodes  
5 364 and 365 when the pump is operated in pulsed mode are typically from about 50 V to about 1,000 V, preferably from about 100 V and about 400 V, more preferably from about 200 V to about 300 V. The voltages used across gamma electrode 366 and the alpha, beta or gamma electrode 364, 365 or  
10 367 when the pump is operated in pulsed mode are typically from about 50 V to about 1,000 V, preferably from about 100 V and about 400 V, more preferably from about 200 V to about 300 V. Preferably, the ratio of pumping to current will be such that no more than about one electron flows into the solution adjacent to a first pump 360 or second pump 361 for every 1,000 molecules that move past the pump 360 or 361, more preferably for  
15 every 10,000 molecules that move past the pump 360 or 361, yet more preferably for every 100,000 molecules that move past the pump 360 or 361.

It is believed that an electrode-based internal pumping system can best be integrated into the liquid distribution system of the  
20 invention with flow-rate control at multiple pump sites and with relatively less complex electronics if the pumps are operated by applying pulsed voltages across the electrodes. Figure 8 shows an example of a pulse protocol where the pulse-width of the voltage is  $\tau_1$  and the pulse interval is  $\tau_2$ . Typically,  $\tau_1$  is between about 1  $\mu$ s and about 1 ms, preferably between about 0.1 ms and  
25 about 1 ms. Typically,  $\tau_2$  is between about 0.1  $\mu$ s and about 10 ms, preferably between about 1 ms and about 10 ms. A pulsed voltage protocol is believed to confer other advantages including ease of integration into high density electronics (allowing for hundreds of thousands of pumps to be embedded on a wafer-sized device), reductions in the amount of electrolysis  
30 that occurs at the electrodes, reductions in thermal convection near the electrodes, and the ability to use simpler drivers. The pulse protocol can also use pulse wave geometries that are more complex than the block pattern

illustrated in Figure 8.

Another, procedure that can be applied is to use a number of electrodes, typically evenly spaced, and to use a travelling wave protocol that induces a voltage at each pair of adjacent electrodes in a timed manner that first begins to apply voltage to the first and second electrodes, then to the second and third electrodes, and so on. Such methods are described in Fuhr et al., *J. Microelectrical Systems*, 1: 141-145, 1992. It is believed that travelling wave protocols can induce temperature gradients and corresponding conductivity gradients that facilitate electric field-induced fluid flow. Such temperature gradients can also be induced by positioning electrical heaters in association with the electrode-based first pumps 360 and second pumps 361.

While not wishing to be restricted to theory, several theoretical concepts are believed to play a role in the mechanics of EHD pumping. The forces acting on a dielectric fluid are believed to be described by:

$$\vec{F} = q\vec{E} + \vec{P} \cdot \nabla \vec{E} - \frac{1}{2} E^2 \nabla \epsilon + \nabla \left[ \frac{1}{2} \rho \frac{\partial e}{\partial \rho} E^2 \right]$$

where  $F$  is the force density,  $q$  is the charge density,  $E$  is the applied field,  $P$  is the polarization vector,  $\epsilon$  is the permittivity and  $\rho$  is the mass density. Of the terms in the equation, the first and third are believed to be the most significant in the context of EHD pumping of fluids. The first term ( $qE$ ) relates to the Coulomb interaction with a space-charge region. The third term ( $\frac{1}{2} E^2 \nabla \epsilon$ ) relates to the dielectric force which is proportional to the gradient in permittivity.

In low fields, i.e., the Ohmic region where current is linearly proportional to voltage, the primary source of charges that will be acted upon by the electric field are believed to be primarily due to ions from additives, ions from impurities and ions formed by autodissociation of molecules in the fluid. In intermediate fields, i.e. from beyond the Ohmic region to about 2 V/ $\mu$ m, the charges are believed to be primarily formed by dissociation and

electrolytic processes in the fluid. In higher fields, the charges are believed to be determined by injection processes at the electrodes, which electrodes inject homocharges.

For the purposes of this application, positive (+) flow shall  
5 be flow in the direction of the negative electrode, and negative (-) flow shall be flow in the direction of the positive electrode.

In a preferred embodiment of the invention, the controller 10 has a device for storing data and stores the values of voltage and polarity suitable for pumping a number of solvents.

10 Experimental results indicate that the properties of fluid flow (like direction of flow) correlate well with the solvent's ability to stabilize and solvate the charged species injected or induced from the electrodes. The direction of flow is believed to be determined by the preference of the solvent to solvate either positive charges or negative ions. This solvation preference  
15 is believed to imply a greater shell of solvent molecules that will be dragged in an electric field, creating fluid movement, when a field is applied to the electrodes of a first pump 360 or a second pump 361. For example, a preferred solvation of positive charges correlates with a preference for fluid flow from the anode to the cathode (i.e., the positive direction). The degree  
20 of such a solvation preference for a solvent is believed to depend on the ability of the molecules within the solvent to accept or donate hydrogen bonds. In one aspect of the invention, for liquids whose pumping behavior has not yet been characterized, the controller will store initial pumping parameters estimated using on the Linear Solvation Energy relationships  
25 established by R.W. Taft and co-workers. See, Kamlet et al., *J. Org. Chem.*, 48: 2877-2887, 1983 and Kamlet et al., *Prog. Phys. Org. Chem.*, 13: 485, 1981. These workers have categorized solvents in terms of the following parameters:  $\pi$ , the ability of the solvent to stabilize a charge or dipole by virtue of its dielectric properties;  $\sigma$ , the hydrogen bond donating ability of the solvent; and  $\beta$ , the hydrogen bond accepting ability of the  
30 solvent. These parameters are more fully defined in the above-cited Kamlet et al. publications.

Using a one mm capillary of circular cross-section, a pair of 50 micron rod-shaped, platinum electrodes perpendicularly inserted to a depth of 500 microns into the capillary with a 500 micron separation powered by a 400 V field, the direction of flow was determined for several solvents. The direction of flow and the  $\alpha$ ,  $\beta$ ,  $\pi$ ,  $\epsilon$  and dipole moment values are as follows:

Solvent	direction	$\alpha$	$\beta$	$\pi$	$\epsilon$	dipole moment
ethanol	-	0.83	0.77	.54	24.55	1.69
tetrahydro-furan	+	0	0.55	.58	7.58	1.75
chloroform	-	0.44	0	.58	4.806	1.01
acetone	+	0.08	0.48	.71	20.7	2.69
methanol	-	0.93	0.62	.6	32.7	2.87
2-propanol	+/-	0.76	0.95	.48	19.92	1.66
acetonitrile	+	0.19	0.31	.75	37.5	3.92
N-methyl-pyrrolidone	+	0	0.77	.92	32.0	4.09
diethyl ether	+	0	0.47	0.27	4.335	1.15
1,2 dichloroethane	-	0	0	0.81	10.36	1.2
DMF	+	0	0.69	.88	36.71	3.86

It is believed that the  $\alpha$  and  $\beta$  values reflect the ability of the solvent under an electric field to solvate a negative or positive charged species, with the magnitude of  $\alpha - \beta$  correlating with (-) flow, and the magnitude of  $\beta - \alpha$  correlating with (+) flow. According to one aspect of the invention, the preferred direction of flow of a liquid can be reversed from that predicted as above if the fluid has a difference in  $\alpha$  and  $\beta$  values that is small but not zero and the electrode pair used creates an asymmetric field, such that the acting force on either positive or negative charged species is enhanced. One such electrode pair has an alpha electrode 364 with a sharp point pointing in the direction of intended flow and a beta electrode 365 that

lines the walls of the channel in which it is located. Such an electrode-based pump, fabricated in a 1 mm capillary, has been shown to be effective to pump 2-propanol in the direction pointed to by the alpha electrode 364 either when the voltage applied to the electrodes implied a (-) direction of flow or, with somewhat weaker flow, when the voltage applied to the electrodes implied a (+) direction of flow.

The pumping parameters of a liquid can be calibrated using a plug of the liquid disposed in a capillary that has an electrode-based pump and is angled uphill. If optical devices are associated with the capillary for monitoring the position of the plug, the velocity of pumped flow uphill and the velocity of gravity driven downhill motion can be measured. With these velocities and the angle of the capillary, the pressure applied to the liquid can be calculated. (Fluid resistance,  $R = (8 \cdot \mu \cdot l) / \pi^4$ , where  $\mu$  defines viscosity and  $l$  = the length of the fluid plug; Pressure,  $P = RA(v_{up} - v_{down})$ , where  $A$  = cross-sectional area). The efficiency of the pump can also be calculated ( $\eta = (q \cdot \rho \cdot Q \cdot N_A) / m \cdot I$ , where  $q$  = charge of  $e^-$ ,  $\rho$  = density of liquid,  $Q$  = flow rate =  $v_{up} \cdot A$ ,  $m$  = mass of liquid, and  $I$  = current). The velocities can be measured with multiple single point observations of the location of either the front or rear interfaces of the plug using fixed LEDs and optical detectors or in a continuous mode using a light and a silicon photodiode position sensor, such as a SL15 or SC10 position sensor available from UDT Sensors, Inc., Hawthorne, CA. With the latter method, the correlation between the signal produced at the difference amplifier connected to the position sensor must be calibrated prior to experimental use.

The pumping parameters for a number of solvents have been determined in the 1 mm capillary described above, as follows:

Solvent	Flow rate, Q $\mu\text{l}/\text{sec}$	Pressure, P $\text{N}/\text{m}^2$	electrical efficiency, $\eta$ , molecules/ $e^-$
acetone	14.56	16.33	$1.9 \times 10^6$
methanol	24.46	26.32	$9.7 \times 10^4$
1-propanol	16.39	74.89	$4.2 \times 10^5$
5 diethyl ether	18.44	20.45	$5.8 \times 10^8$
1,2 dichloroethane	14.24	46.55	$2.9 \times 10^7$

Another aspect of pumping is the observation that fluids that are resistant to pumping at a reasonable field strength can be made more susceptible to electrode-based pumping by adding a suitable flow-enhancing additive. Preferably, the flow-enhancing additive is miscible with the resistant fluid and can be pumped at high pressure, P, high flow rate, Q, and good electrical efficiency,  $\eta$  (i.e., molecules pumped per electron of current). Generally, the flow-enhancing additive comprises between about 0.05 % w/w and about 10 % w/w of the resistant fluid, preferably between about 0.1 % w/w and about 5 % w/w, more preferably between about 0.1 % w/w and about 1 % w/w. Carbon tetrachloride and cyclohexane do not pump using the electrode pump situated in a capillary described above at a voltage of 2,000 V. By adding 0.5 % w/w acetone or methanol as a flow-enhancing additive, both of these fluids can be pumped at a voltage of 1,000 V. In some cases, it is desirable to reverse the preferred flow direction of a liquid by mixing with it a flow-enhancing additive that strongly pumps in the desired direction. In all cases, additives are selected on the basis of their pumping characteristics and their compatibility with the chemistries or other processes sought to be achieved in the liquid distribution system.

The electrode-based pumps of the invention can be operated to as a valve to resist flow in a certain direction by operating the pumps to counter the unwanted flow. To power the electrode-based pumps, one or more digital drivers, consisting of, for example, a shift register, latch, gate and switching device, such as a DMOS transistor, permits simplified electronics so that fluid flow in each of the channels can be controlled

independently. Preferably, each digital driver is connected to multiple switching devices that each can be used to control the pumping rate of a separate electrode-based pump.

Features of other distribution systems described in this application can be applied to this embodiment, irrespective of under which subheading they are described.

### **C. Preferential Flow Liquid Distribution System**

Another embodiment of the distribution system wherein a plurality of microscaled reaction cells can be separately addressed by a number of reagent liquids uses a continuous flow system is illustrated schematically in Figure 9. Features of other distribution systems described in this application can be applied to this embodiment, irrespective of under which subheading they are described.

Figure 9 illustrates a first continuous flow channel 400A, a second continuous flow channel 400B, a third continuous flow channel 400C and a fourth continuous flow channel 400D, each continuous flow channel having an upstream end U and a downstream end D. Fluid can be pushed through first through fourth continuous flow channels 400A-400D with the assistance of one or more external pumps 171. Third pumps 460 (not shown), which can be electrode-based pumps, can provide further pumping within the first through fourth continuous flow channels 400A-400D. Constricted zones 401A-401D at the upstream end of the first through fourth continuous flow channels 400A-400D have a first cross-sectional area. Open zones 402A-402D at the downstream end of the first through fourth continuous flow channels 400A-400D have a second cross-sectional area that is greater than the first cross-sectional area. At the upstream end of the open zones 402A-402D, are first branch channel 410A, second branch channel 410B, third branch channel 410C and fourth branch channel 410D, respectively. Each of these branch channels 410A-410D preferably has a smaller cross-sectional area than that of the open zones 402A-402D and each flows into a buffer channel 440. In the open zones 402A-402D, there are first alpha constrictor 420AA, second alpha constrictor 420AB, third alpha

constrictor 420AC, and fourth alpha constrictor 420AD, respectively.

A constrictor, such as an alpha constrictor, can be a micromachined valve or transducer that is thermally, electromagnetically or pressure actuated, an electrode-based pump operating in flow-blocking mode, or another constrictor recognized in the art. Constrictors operate to reduce flow at a portion of a channel, or, preferably, to shut off flow.

The downstream outlets of the continuous flow channels 400A-400D connect with a common bypass 430 which connects to first drain 431A and second drain 431B.

Branch channels 410A-410C have a first beta constrictor 420BA, second beta constrictor 420BB, third beta constrictor 420BC and fourth beta constrictor 420BD, respectively. From buffer channel 440, there extends a reaction cell conduit 442, a first buffer overflow 441A and a second buffer overflow 441B. Reaction cell conduit 442 has a gamma constrictor 420C. First and second buffer overflows 441A and 441B have first delta constrictor 420DA and second delta constrictor 420DB, respectively.

When a "liquid A" flows through first continuous flow channel 400A and first alpha constrictor 420AA is not in operation, liquid A will tend to flow to the common bypass 430 via the open zone portion of the first continuous flow channel 400A having relatively large cross-sectional area rather than flow through relatively narrow branch channel 410A. First beta constrictor 420BA can be operated to restrict or block flow in branch channel 410A, further assuring greater flow through to the common bypass 430. To direct liquid A to the reaction cell 350, first alpha constrictor 420AA is operated, while first beta constrictor 420BA is not, resulting in greater flow into first branch channel 410A. The entry of liquid A into buffer channel 440 can result in the application of upward pressure at second through fourth branch channels 410B-410D, depending upon the rate of outflow through reaction cell conduit 442 or first or second buffer overflows 441A or 441B. This pressure can be used to inhibit cross contamination with fluids from second, third or fourth continuous flow channels 400B-400D.



All constrictors 420 preferably can operate to stop liquid flow in their respective channels, particularly first through fourth beta constrictors 420BA through 420BD and gamma constrictor 420C.

Figure 10A shows a cross-sectional view of continuous flow channel 400A operated to direct flow into branch channel 410A, while Figure 10B illustrates the continuous flow channel 400A operated to direct flow into the common bypass 430. A reaction cell 350 and a reaction cell drain 355 are also illustrated.

Figure 11 shows how the first through fourth continuous flow channels 400A-400D can be connected to a larger grid having first through fourth primary feed channels 470A-470D. First through fourth primary feed channels 470A-470D are located on a higher or lower horizontal plane than first through fourth continuous flow channels 400A-400D, allowing the two sets of channels to be interconnected. In one preferred embodiment, the inlets of each of first through fourth continuous flow channels 400A-400D have third pumps 460 (not illustrated) that facilitate drawing fluid from the first through fourth primary feeder channels 470A-470D.

#### D. Expansion Valve Liquid Distribution System

The expansion valve liquid distribution system has a reaction cell, two or more feeder channels, a separate conduit connecting each feeder channel to the reaction cell, and an expansion valve for each conduit, wherein the expansion valve has an expanded state that fills a cross-section of the conduit and prevents fluid flow through the conduit and a contracted state that allows fluid flow through the conduit. This embodiment differs from other embodiments in that the distribution system is preferably constructed of plastic, rather than glass or a silicon-based material. Preferred plastics include polyethylene, polypropylene, liquid crystal engineering plastics, polyvinylidene fluoride and polytetrafluoroethylene. Plastics with low moisture vapor transmission rates (e.g., polyethylene, polyvinylidene fluoride and polytetrafluoroethylene) are particularly preferred. Laminates such as a laminate of polyethylene and a polyester such as poly(ethyleneterephthalate)

are also preferred for their vapor barrier properties. The channels or conduits of this embodiment are preferably as described below in Section I, which describes fabrication methods. However, this embodiment can more readily be used with larger scale features, such as larger channels and reaction cells.

5 Features of other distribution systems described in this application can be applied to this embodiment, irrespective of under which subheading they are described.

Figure 12 shows a schematic having fifth through eighth primary supply channels 580A through 580D, respectively. Fifth primary supply channel 580A connects to first alpha feeder channel 570A1, second alpha feeder channel 570A2, and so on. Sixth through eighth primary supply channels, 580B through 580D, respectively, are also connected to feeder channels. Focusing on second alpha feeder channel 570A2, second beta feeder channel 570B2, second gamma channel 570C2 and second delta feeder channel 570D2, these are each connected to a number of alpha distribution channels 500A, beta distribution channels 500B, gamma distribution channels 500C and delta distribution channels 500D, respectively. For instance, second alpha feeder channel 570A2 is connected to eleventh alpha distribution channel 500A11, twelfth alpha distribution channel 500A12, and so on. Sets of four distribution channels 500, e.g. eleventh alpha distribution channel 500A11, eleventh beta distribution channel 500B11, eleventh gamma distribution channel 500C11, and eleventh delta distribution channel 500D11, are connected to a given reaction cell 350, e.g., reaction cell 350.

25 As illustrated below, each distribution channel 500 has an expansion valve which can be activated to block flow from the feeder channels 570 into the reaction cell 350 connected via the distribution channel 500. In one preferred embodiment, fluid in the primary supply channels 580 and feeder channels 570 is maintained a constant pressure using upstream pumps and downstream pressure release valves.

30 Figure 13A shows a cross-section through eleventh alpha distribution channel 500A11. Three of the plates that form the distribution

system, first plate 591, second plate 592 and third plate 593, are illustrated. Second alpha feeder channel 570A2, second beta feeder channel 570B2, second gamma feeder channel 570A2 and second delta feeder channel 570 D2 can be formed in a molding process used to form first plate 591. Eleventh  
5 alpha distribution channel 500A11 is primarily formed with parts of first plate 591 and second plate 592 and can be formed during the molding process used to form these plates. The portion 501A11 of eleventh alpha distribution channel 500A11 connecting to second alpha feeder channel 570A2 can be formed using a drilling process, such as a laser drilling process. The portion  
10 502A11 (see Fig. 13B) of eleventh alpha distribution channel 500A11 that connects to reaction cell 350B1 is typically formed during the molding of second plate 592. Expansion valve 580 includes a low modulus, elastomeric film 581 such as a hydrocarbon elastomer, acrylonitrile-based elastomer or polyurethane films, which films include natural latex films, ethylene-propylene  
15 rubber and acrylonitrile-butadiene-styrene copolymer films. The elastomeric film can, for example, be bonded to the substrate using an adhesive such as a thermal setting acrylic, polyurea or polysulfide adhesive or it can be bonded by thermal compression bonding or ultrasonic welding. Elastomeric film 581 covers a fluid chamber 582 that is filled with a gas, such as air or argon, or  
20 with a low-boiling liquid, such as freon or another refrigerant. Situated sufficiently near fluid chamber 582 is an heating element 583, which is preferably controlled by controller 10. The heating element 583 functions to heat the gas or liquid in fluid chamber 582 to cause the expansion of the expansion valve 580. Reaction cell 350B1 has a drain 355B1.

25 Heating elements 583 can be any number of heating devices known to the art including electrical resistance heaters and infrared light sources, including infrared diode lasers, such as edge-emitting diode laser arrays available from David Sarnoff Research Center, Princeton, NJ or the 1300 nm or 1590 nm lasers available from LaserMax Inc., Rochester, NY. If  
30 the heating element 583 is an infrared light source, the materia that intervenes between the heating element 583 and the fluid chamber 583 preferably transmits at least about 50%, more preferably 80%, of the infrared

light from the heating element 583.

Figure 13B shows a comparable version of a cut-away view of eleventh alpha distribution channel 500A11 where the expansion valve 580 is positioned differently.

5                   Figure 13C shows a cut-away of a preferred embodiment where eleventh alpha distribution channel has a first expansion valve 580A, a second expansion valve 580B and a third expansion valve 580C. These three valves can be operated sequentially to create a pumping force that moves liquid into the reaction cell 350B1. For instance, at time one, eleventh  
10 distribution channel 500A11 is filled with a liquid and first expansion valve 580A is expanded. At time two, first expansion valve 580A remains expanded and second expansion valve 580C begins to expand, pushing liquid into the reaction cell 350B1. At time three, second expansion valve 580B remains expanded and first expansion valve 580A begins to contract drawing  
15 liquid from second alpha feeder channel 570A2 to fill the volume formerly occupied by the expanded valve. Also at time three, third expansion valve 580C begins to expand, forcing liquid to flow into reaction cell 350B1. At time four, third expansion valve 580C remains expanded and second expansion valve 580B begins to contract at the about the same time first  
20 expansion valve 580A begins to expand. At time five, first expansion valve 580A is expanded, while the other two expansion valves, 580B and 580C, are contracted, setting the stage for a new pumping cycle.

#### **E. Electrode-based Liquid Distribution System**

Figure 14 shows a top view of a liquid distribution system of  
25 the electrode-based liquid distribution system showing how channels from a number of feeder channels, e.g., alpha through delta feeder channels 670A through 670D, respectively, can connect to a fifth vertical channel 628 that connects to a given reaction cell 350.

In Figure 14, alpha feeder channel 670A, beta feeder channel  
30 670B, gamma feeder channel 670C and delta feeder channel 670D connect to alpha first distribution channel 622A, alpha second distribution channel 624A, beta second distribution channel 624B, and beta first distribution

channel 622B, respectively. Alpha first distribution channel 622A, alpha second distribution channel 624A, beta second distribution channel 624B, and beta first distribution channel 622B have an alpha first electrode-based pump 660A, a beta first electrode-based pump 660B, a gamma first  
5 electrode-based pump 660C and a delta first electrode-based pump 660D, respectively. The alpha first distribution channel 622A connects to fifth vertical channel 628 via alpha second connector channel 623A and alpha third connector channel 625A. The beta first distribution channel 622B connects to fifth vertical channel 628 via beta second connector channel  
10 623B and beta third connector channel 625B. Note that alpha second and beta second connector channels 623A and 623B are in a lower plane than their connected alpha first distribution channel 622A and beta first distribution channel 622B, respectively. Alpha second distribution channel 624A and beta second distribution channel 624B each connect directly with  
15 fifth vertical channel 628.

Note that the "N" portions (indicated in the figure) of alpha, beta, gamma and delta feeder channels 670A-670D, respectively, are referred to as the "feeder channel inlets", while the "S" portions are referred to as the "feeder channel outlets". The inlets of alpha, beta, gamma and delta feeder  
20 channels 670A-670D, have an alpha second electrode-based pump 667A, a beta second electrode-based pump 667B, a gamma second electrode-based pump 667C and a delta second electrode-based pump 667D, respectively. The outlets of alpha, beta, gamma and delta feeder channels 670A-670D, have an alpha third electrode-based pump 668A, a beta third electrode-based  
25 pump 668B, a gamma third electrode-based pump 668C and a delta third electrode-based pump 668D, respectively. The voltages used to operate the three electrode-based pumps in the channels that form the three-way junctions (made up of a feeder channel inlet, a feeder channel outlet and a distribution channel) can be adjusted to either allow flow into the distribution  
30 channel or to block flow into the distribution channel. Preferably, at each three-way junction, each electrode of the first electrode-based pump 660, second electrode-based pump 667 and third electrode-based pump 668 that

is nearest the junction is connected to a common voltage source or ground.

In a preferred embodiment, capillary barriers, for instance located at the four junctions (unnumbered) with fifth vertical channel 628 can be used to limit unintended flow into fifth vertical channel 628. In another preferred embodiment, the alpha and beta first distribution channels 622A and 622B and the alpha and beta second distribution channels 624A and 624B have narrower channel widths than their connected feeder channels 670, so that flow through the distribution channels 622 or 624 is less favored than flow through the feeder channels 670, particularly when the first electrode-based pump 660 in the distribution channels are operated to pump against the unwanted flow. Preferably, one or more of the distribution channels (e.g., alpha first distribution channel 622A) have a channel width at the opening with the three-way junction that is about 50% or less of the width the connected feeder channel 670, more preferably the width is about 40% or less of the width the connected feeder channel 670.

Features of other distribution systems described in this application can be applied to this embodiment, irrespective of under which subheading they are described.

#### F. Controller

The controller 10 will typically be an electronic processor. However, it can also be a simpler device comprised of timers, switches, solenoids and the like. The important feature of controller 10 is that it directs the activity of the first pumps 360 and second pumps 361 and, optionally, the activity of external pumps 171. A circuit of thin film transistors (not shown) can be formed on the liquid distribution system to provide power to the wells via leads and electrodes, and to connect them with the driving means such as the controller 10, so as to move liquids through the array. Pins can also be formed substrate which are addressable by logic circuits that are connected to the controller 10 for example.

#### G. Reaction Cells and Reaction Cell Plate

Reaction cells 350 are typically depressions formed in the upper layers of a reaction cell plate 320. The drain 355 to a reaction cell 350

can be open at the bottom of the reaction cell 350, in which case drainage is controlled kinetically and by negative pressure from the connected channels. Alternatively, the drain 355 may be adjacent to the reaction cell 350 and open at a height greater than the height of the floor of the reaction cell 350, as illustrated in Figure 15A. In Figure 15A, drain 355 is connected to reaction cell 350 by sluice 351. In this case, flushing volumes, which are substantial volumes relative to the volume of the reaction cell but minuscule in absolute amount, are passed through the reaction cell 350 to remove all of a given reactant previously directed into the reaction cell 350. In another alternative, the reaction cell 350 is connected to a alpha first horizontal drain channel 356A and beta first horizontal drain channel 356B, having an alpha drain pump 357A and beta drain pump 357B, respectively, which can be an electrode-based pumps, as illustrated in Figure 15B. The alpha and beta first horizontal drain channels 356A and 356B can be connected to alpha vertical drain channel 358A and beta vertical drain channel 358B, which in turn are connected to an alpha and beta second horizontal drain channel 359A and 359B, respectively. Alpha and beta second horizontal drain channel 359A and 359B open into the alpha drain 355A and beta drain 355B. The alpha and beta pumps 357 are operated under the control of the controller 10, which operates the pumps as appropriate to drain the reaction cell 355. Note that this latter drainage structure includes a form of a capillary barrier 370. Where alpha and beta pumps 357A and 357B are electrode-based pumps, one can be operated so that a - flow would drain the reaction cell 350 and the other so that a + flow would drain the reaction cell 350. In this way, no matter what the flow preference of the liquid in the reaction cell 350, one drain mechanism would push fluid out of the reaction cell 350, while the other merely pushed a limited volume of fluid into the reaction cell 350, yielding a net draining effect.

Another way by which the reaction cell 350 can be controllably drained is to use a bottom drain 355 having an outlet channel that has constrictor, such as one of the constrictors described above with reference to the second preferred embodiment.

Drains are optional, since in some uses the amount of liquid moved into a reaction cell 350 is less than the reaction cell's volume. If drains are absent, however, vents are required. Vents for the reaction cells 350 are appropriate in other contexts.

5                   The reaction cell plate can be reversibly bonded to the next higher plate by, for instance, assuring that the two surfaces are smoothly machined and pressing the two plates together. Or, for example, a deformable gasket, such as a teflon, polyethylene or an elastomeric film (such as a natural rubber, ABS rubber, or polyurethane elastomer film) gasket is  
10 interposed between the plates. One way to maintain a force adhering the plates against the gasket is to have a number of vacuum holes cut through the bottom plate and the gasket and applying a vacuum at these locations. Generally, the seal should be sufficient so that the pump used to form the vacuum can be shut down after initially forming the vacuum. The gasket is  
15 preferably from about 0.0x5 mils to about 1 mil, more preferably from about 0.1 mils to about 0.3 mils in thickness.

Fluid exiting the bottom of the reaction cell plate 320 can, for instance, simply collect in a catch pan or it can diffuse into a porous substrate such a sintered glass, glass wool, or a fabric material. Alternately,  
20 a fifth plate 340 is attached to the underside of the reaction cell and has channels that connect the outlets of the reaction cells 350 to individual collection reservoirs from which fluid can be sampled. For instance, the fifth plate 340 is wider than the reaction cell plate 320 and the collection reservoirs are located at the top surface of the fifth plate 340 in the area not  
25 covered by the reaction cell plate 320.

Preferably, synthetic processes conducted in the reaction cells 350 of the liquid distribution system will take place on insoluble supports, typically referred to as "beads", such as the styrene-divinylbenzene copolymerizate used by Merrifield when he introduced solid phase peptide  
30 synthetic techniques. Merrifield, *J. Am. Chem. Soc.* 85: 2149, 1963. See, also Barany et al., "Recent Advances in Solid-Phase Synthesis," in *Innovation and Perspectives in Solid Phase Synthesis: Peptides, Polypeptides, and*



*Oligonucleotides*, Roger Epton, Ed., collected papers of the 2nd International Symposium, 27-31 August, 1991, Canterbury, England, p. 29. These supports are typically derivatized to provide a "handle" to which the first building block of an anticipated product can be reversibly attached. In the peptide synthesis area, suitable supports include a p-alkoxybenzyl alcohol resin ("Wang" or PAM resin) available from Bachem Bioscience, Inc., King of Prussia, PA), substituted 2-chlorotriyl resins available from Advanced Chemtech, Louisville, KY, and polyethylene glycol grafted poly styrene resins (PEG-PS resins) are available from PerSeptive Biosystems, Framingham, MA or under the tradename TentaGel, from Rapp Polymere, Germany. Similar solid phase supports, such as polystyrene beads, are also used in the synthesis of oligonucleotides by the phosphotriester approach (see Dhristodoulou, "Oligonucleotide Synthesis: Phosphotriester Approach," in *Protocols for Oligonucleotide Conjugates*, S. Agrawal, Ed., Humana Press, N.J., 1994), by the phosphoramidite approach (see Beaucage, "Oligodeoxynucleotide Synthesis: Phosphoramidite Approach," in *Protocols for Oligonucleotide Conjugates*, S. Agrawal, Ed., Humana Press, N.J., 1994), by the H-phosponate approach (see Froehler, Oligodeoxynucleotide Synthesis: H-Posponate Approach," in *Protocols for Oligonucleotide Conjugates*, S. Agrawal, Ed., Humana Press, N.J., 1994), or by the silyl-phosphoramidite method (see Damha and Ogilvie, Oligodeoxynucleotide Synthesis: "Silyl-Phosphoramidite Method," in *Protocols for Oligonucleotide Conjugates*, S. Agrawal, Ed., Humana Press, N.J., 1994). Suitable supports for oligonucleotide synthesis include the controlled pore glass (cpg) and polystyrene supports available from Applied Biosystems, Foster City, CA. Solid supports are also used in other small molecule and polymeric organic syntheses, as illustrated in oligocarbamate synthesis for organic polymeric diversity as described by Gorden et al., *J. Medicinal Chem.* 37: 1385-1401, 1994.

Preferably, the reaction cells are rectangular with horizontal dimensions of about 400 microns to about 1200 microns, more preferably about 500 microns to about 1000 microns, yet more preferably

about 640 microns, and a depth of about 200 microns to about 400 microns. Where beads will be used in the reaction cells 350, the depth of the reaction cells 350 is preferably at least about 50 microns greater than the swelled diameter of the beads. The support beads typically used as in solid-phase  
5 syntheses typically have diameters between about 50 microns and about 250 microns, and reactive site capacities of between about 0.1 mmoles/g and about 1.6 mmoles/g. Typically, between about 1 and about 10 of such beads are loaded into a reaction cell 350 to provide a desired capacity of between about 1 nmole and about 10 nmole per reaction cell 350. Recently, beads  
10 have become available that have a diameter that ranges between about 200 microns and about 400 microns, depending on the solvent used to swell the beads and the variation in size between the individual beads, and a reactive site capacity of between about 5 nmole and about 20 nmole per bead have become available. These large beads include the beads sold by Polymer  
15 Laboratories, Amhearst, MA. Desirable reactive site functionalities include halogen, alcohol, amine and carboxylic acid groups. With these large beads, preferably only one bead is loaded into each reaction cell 350.

Another option for creating a solid support is to directly derivatize the bottom of the reaction cell 350 so that it can be reversibly  
20 coupled to the first building block of the compound sought to be synthesized. The chemistry used to do this can be the same or similar to that used to derivatize controlled pore glass (cpg) beads and polymer beads. Typically, the first step in this process is to create hydroxyl groups (if they do not already exist on the support) or amino groups on the support. If hydroxyl groups  
25 exist or are created, they are typically converted to amino groups, for instance by reacting them with gamma-aminopropyl triethoxy silane. Flexible tethers can be added to the amino groups with cyclic acid anhydrides, reactions with polymerized alkylene oxides and other methods known to the art. Examples of such methods are described in Fields et al., "Synthetic  
30 Peptides: A User's Guide," W.H. Freeman and Co., Salt Lake City, UT, 1991.

Methods of creating reactive sites include, for the case where the reaction cell plate 320 is made of plastic, exposing the bottom of

the reaction cells 350 to a reactive plasma, such as that created by a glow-discharge in the presence of ammonia or water, to create  $\text{NH}_2$  groups. Such procedures are described in "Modification of Polymers," Carraher and Tsuda, eds., American Chem. Soc., Washington, DC, 1980. Another  
5 method, useful with glass, ceramic or polymeric substrates, is depositing a film of silicon monoxide by vapor deposition at low temperature to create hydroxyl functionalities. Glass surfaces can be treated with alkali, for instance with KOH or NaOH solutions in water or water/alcohol mixtures, to expose hydroxyl functional groups. Non-annealed borosilicate glass surfaces,  
10 including coatings of non-annealed borosilicate glass created by chemical vapor deposition, can be etched, for instance with hydrofluoric acid dissolved in water, to dissolve the regions that are rich in boron, which process creates a porous structure with a large surface area. This porous structure can be treated with alkali to expose hydroxyl groups. The degree of reactive site  
15 substitution on such surfaces is preferably at least about 83 nmoles per  $\text{cm}^2$ , more preferably at least about 124 nmoles per  $\text{cm}^2$  (implying a substitution in 500 micron by 500 micron reaction cell 350 of at least about 0.31 nmole), yet more preferably at least about 256 nmoles per  $\text{cm}^2$ .

The above described methods for using the bottom of the  
20 reaction cells 350 as a solid support can be supplemented by methods that increase the surface area of the bottom of the reaction cells 350. One method is to create columnar structures of silicon monoxide, for instance by thermal evaporation of  $\text{SiO}_x$ . Another such method is to insert into the reaction cells fabrics, such as non-woven glass or plastic (preferably fiberglass  
25 or polypropylene fiber) fabrics and plasma treating the fabric to create reactive sites.

Another method uses spin-on glass, which creates a thin film of nearly stoichiometric  $\text{SiO}_2$  from a sil-sesquioxane ladder polymer structure by thermal oxidation. Sol-gel processing creates thin films of glass-like  
30 composition from organometallic starting materials by first forming a polymeric organometallic structure in mixed alcohol plus water and then careful drying and baking. When the sol-gel system is dried above the critical

temperature and pressure of the solution, an aerogel results. Aerogels have chemical compositions that are similar to glasses (e.g.  $\text{SiO}_2$ ) but have extremely porous microstructures. Their densities are comparably low, in some cases having only about one to about three percent solid composition, the balance being air.

#### **H. Capillary barriers**

Capillary barriers have been described above with reference to Figures 4A and 4B. However, more complex design considerations than were discussed above can, in some cases, affect the design of the capillary barrier. In some cases it is desirable to narrow the sluice formed by second opening 362 or third opening 363 to increase the impedance to flow (i.e., the frictional resistance to flow) as appropriate to arrive at an appropriate flow rate when the associated first pump 360 or second pump 361 is activated. Such a narrowing is illustrated by comparing the sluice of Figure 16A with the narrowed sluice of Figure 16D. The problem that this design alteration can create is that narrower channels can increase capillary forces, thereby limiting the effectiveness of channel breaks.

Thus, in one preferred embodiment, a channel break further includes one or more upwardly oriented sharp edges 369, as illustrated in Figures 16B and 16C. More preferably, a channel break includes two or more upwardly oriented sharp edges 369. In Figure 16B, portion 362A of opening 362 is cut more deeply into first plate 300 to create an open space useful for the operation of upwardly oriented sharp edges 369.

#### **I. Fabrication of Plates, Channels, Reservoirs and Reaction Cells**

The liquid distribution systems of the invention can be constructed a support material that is, or can be made, resistant to the chemicals sought to be used in the chemical processes to be conducted in the device. For all of the above-described embodiments, the preferred support material will be one that has shown itself susceptible to microfabrication methods that can form channels having cross-sectional dimensions between about 50 microns and about 250 microns, such as glass, fused silica, quartz, silicon wafer or suitable plastics. Glass, quartz, silicon and plastic support

materials are preferably surface treated with a suitable treatment reagent such as a siliconizing agent, which minimize the reactive sites on the material, including reactive sites that bind to biological molecules such as proteins or nucleic acids. As discussed earlier, the expansion valve liquid distribution system is preferably constructed of a plastic. In embodiments that require relatively densely packed electrical devices, a non-conducting support material, such as a suitable glass, is preferred. Corning borosilicate glass, and Corning 7740 borosilicate glass, available from Corning Glass Co., Corning, NY, are among the preferred glasses.

10           The liquid distribution system of the invention is preferably constructed from separate plates of materials on which channels, reservoirs and reaction cells are formed, and these plates are later joined to form the liquid distribution system. This aspect of the invention is described in some detail with respect to the hydrologic liquid distribution system. Preferably, 15 the reaction cell plate, e.g. reaction cell plate 320, is the bottom plate and is reversibly joined to the next plate in the stack. The other plates forming the distribution system, which preferably comprise two to three plates are preferably permanently joined. This joinder can be done, for instance, using adhesives, or techniques such as glass-glass thermal bonding.

20           One preferred method of permanently joining the plates is to first coat the plate with a layer of glass glaze generally having a thickness between about 50 microns and about 500 microns, more preferably between about 75 microns and about 125 microns. The above thicknesses contemplate that substantial amounts of channel structure will be formed in 25 the glaze layer. Otherwise, the glaze generally has a thickness between about 1 microns and about 100 microns, more preferably between about 10 microns and about 25 microns. These methods are preferably applied to join glass plates. Suitable glazes are available from Ferro Corp., Cincinnati, OH. The glazed plate is treated to create channels, reservoirs, or reaction cells as 30 described below. The glazed plate is positioned against another plate, which preferably is not glazed, and the two plates are heated to a temperature of about the softening temperature of the glaze or higher, but less than the

softening temperature for the non-glaze portion of the plates.

Another preferred method of permanently joining glass plates uses a field assisted thermal bonding process. It has now been discovered that glass-glass sealing using field assist thermal bonding is possible despite  
5 the low conductivity of glass if a field assist bonding material is interposed between the plates to be bonded.

To the top or bottom surface of one glass plate a layer of a field assist bonding material is applied. Preferably, the field assist bonding material layer has a thickness between about 50 nm and about 1,000 nm,  
10 more preferably, between about 150 nm and about 500 nm. The field assist bonding material can be a material capable of bonding glass substrates using the method described herein. Preferably, the field assist bonding material is silicon or silica. More preferably, the field assist bonding material is silicon.

The field assist bonding material can be applied to a plate, for  
15 instance, by chemical vapor deposition or by a sputtering process where surface molecules are emitted from a cathode when the cathode is bombarded with positive ions from a rare gas discharge and the surface molecules collide with and bond to a nearby substrate. Pursuant to the present invention, silicon layers of between about 150 nm and about 500 nm  
20 thickness have been bonded to glass plates under conditions that can be expected to generate an outer surface layer of silicon dioxide, such as an about 20Å layer, although the sealing process is believed to be effective in the absence of this layer. The coated plate is treated, as needed, to create channels, reservoirs, or reaction cells using the method described below.  
25 Alternatively, the plate was so treated prior to coating with the field-assist bonding material. The coated plate is then positioned against another plate, which preferably is not coated, and placed in a field assisted bonding device  
700 such as that illustrated in Figure 17. The field assisted bonding device 700 has a heating device 710, such as a heating plate. The field assisted  
30 bonding device 700 further has an electrode 720 and a ground 730 that allows a voltage to be applied across the first plate 740 and the second plate 750, to which has been applied a layer of silicon 760. Arrows 770 indicate

the electric field orientation. Generally, the field assisted bonding is conducted under a normal atmosphere.

The plates are brought to a temperature that is effective, when an appropriate electric field is applied across the plates, to accelerate the bonding process. While not wishing to be bound by theory, it is believed that the combination of a cathode applied to the first glass plate 740 and the greater exchange-site mobility of ions (such as sodium ions) caused by the elevated temperature causes an ion depletion on the face of the first glass plate 740 opposite that to which the cathode is applied. The ion depletion, it is believed, causes a surface charge at the bottom surface of first glass substrate 740, which correlates with the creation of a strong localized electrostatic attraction for the second substrate 750. It is clear that this process creates strong bonding between the substrates and, it is believed that this is due to the formation of chemical bonds between the silica of the first glass substrate 740 and the silicon coated onto the second glass substrate 750. Preferably, the temperature is brought to from about 200°C to about 600 °C, more preferably from about 300°C to about 450°C. During the process an voltage typically from about 200 V to about 2,500 V, preferably from about 500 V to about 1500 V, is applied across the first glass plate 740 and second glass plate 750. The voltage most suitably applied varies with the thickness of the glass plates. The voltage pulls the first glass plate 740 and second glass plate 750, including the silicon layer 760 applied to one of the plates, into intimate contact. Typically, hermetic sealing is achieved within minutes to about an hour, depending on the planar dimensions of the glass plates. The time required to achieve adequate sealing varies with, among other things, the smoothness of the plates, the electrical field strength, the temperature, and the dimensions of the plates. Bonding between the plates is typically apparent visually, since it is accompanied by the disappearance of the interface between the plates and the formation of gray color at the bonded regions that can be seen when an observer looks through the thinner dimensions of the two plates.

The method described above can be used to bond a glass

substrate to another glass substrate and to a third glass substrate simultaneously.

Those of ordinary skill will recognize that while a hot plate is illustrated as providing the heating for the thermal assisted bonding, other heating devices, including ovens, may be used. It will also be realized that it is desirable to match, when possible, the coefficients of thermal expansion of the substrates to be bonded.

The reservoirs, reaction cells, horizontal channels and other structures of the fluid distribution system can be made by the following procedure. A plate, that will for instance make up one of feedthrough plate 300, distribution plate 310, reaction cell plate 320 or intermediate plate 330, is coated sequentially on both sides with, first, a thin chromium layer of about 500Å thickness and, second, a gold film about 2000 angstroms thick in known manner, as by evaporation or sputtering, to protect the plate from subsequent etchants. A two micron layer of a photoresist, such as Dynakem EPA of Hoechst-Celanese Corp., Bridgewater, NJ, is spun on and the photoresist is exposed, either using a mask or using square or rectangular images, suitably using the MRS 4500 panel stepper available from MRS Technology, Inc., Acton, MA. After development to form openings in the resist layer, and baking the resist to remove the solvent, the gold layer in the openings is etched away using a standard etch of 4 grams of potassium iodide and 1 gram of iodine (I<sub>2</sub>) in 25 ml of water. The underlying chromium layer is then separately etched using an acid chromium etch, such as KTI Chrome Etch of KTI Chemicals, Inc., Sunnyvale, CA. The plate is then etched in an ultrasonic bath of HF-HNO<sub>3</sub>-H<sub>2</sub>O in a ratio by volume of 14:20:66. The use of this etchant in an ultrasonic bath produces vertical sidewalls for the various structures. Etching is continued until the desired etch depth is obtained. Vertical channels are typically formed by laser ablation.

The various horizontal channels of the distribution system embodiments typically have depths of about 50 microns to about 250 microns, preferably from about 50 microns to about 100 microns, more preferably from about 50 microns to about 80 microns. The widths of the



horizontal channels and the diameters of the vertical channels are typically from about 50 microns to about 200 microns, preferably from about 100 microns to about 200 microns, more preferably from about 120 microns to about 150 microns.

#### 5 **J. Fabrication of Electrode-Based Pumps**

In many embodiments, the liquid distribution systems of the invention require the formation of numerous electrodes for pumping fluids through the liquid distribution system. These electrodes are generally fabricated in the top glass plate of the liquid distribution system. Typically  
10 each pair of electrodes is closely spaced (e.g. 50 to 250 microns separation). The electrodes are fabricated with diameters of preferably about 25 microns to about 150 microns, more preferably about 50 microns to about 75 microns. In preferred embodiments, the liquid distribution system has 10,000  
15 reaction cell 350 with each reaction cell 350 having 6 - 10 associated electrode-based pumps. Thus, a liquid distribution system can require about 200,000 to about 300,000 electrodes. To produce such structures using mass production techniques requires forming the electrodes in a parallel, rather than sequential fashion. A preferred method of forming the electrodes involves forming the holes in the plate (e.g., feedthrough plate 300) through  
20 which the electrodes will protrude, filling the holes with a metallic thick film ink (i.e., a so-called "via ink", which is a fluid material that sinters at a given temperature to form a mass that, upon cooling below the sintering temperature, is an electrically conductive solid) and then firing the plate and ink fill to convert the ink into a good conductor that also seals the holes  
25 against fluid leakage. The method also creates portions of the electrodes that protrude through the plate to, on one side, provide the electrodes that will protrude into the liquids in fluid channels and, on the other side, provide contact points for attaching electrical controls.

For example, holes are drilled in 500 micron thick plates of  
30 borosilicate glass using an excimer laser. Holes having diameters between 50 and 150 microns are then filled with thick film inks, using an commercial Injection Via-fill Machine (Pacific Trinetics Model #VF-1000, San Marcos,

CA). It has been unexpectedly discovered that only select formulations of via inks sufficiently function to fill such high aspect ratio holes such that the fired ink adheres to the sides of the holes, does not crack during the firing process, and seals the holes against fluid flow. One parameter that is important to so  
5 forming sealed, conductive conduits through high aspect holes is selecting metal powder and glass powder components for the via ink that have sufficiently fine dimensions. One suitable formulation uses: 12-507 Au powder (Technic Inc., Woonsocket, RI), 89.3 % w/w; F-92 glass (O. Hommel Co., Carnegie, PA), 5.7 % w/w; 15 % w/v ethyl cellulose N-300  
10 (N-300, Aqualon, Wilmington, DE) in Texanol™ (monoisobuturate ester of 2,2,4-trimethyl-1,3-pentandiol, Eastman Chemical Products, Kingsport, TN), 2.4% w/w; 15 % w/v Elvacite 2045™ (polyisobutyl methacrylate) in Terpineol T-318 (mixed tertiary terpene alcohols, Hercules Inc., Wilmington, DE), 2.1 % w/w; and Duomeen TDO™ (N-tallow alkyl trimethylenediamine  
15 oleates, Akzo Chemicals, Chicago, IL), 0.5 % w/w. The gold powder from Technic, Inc. has an average particle diameter of 0.9 microns. Another suitable formulation uses: Ag Powder Q powder (Metz, South Plainfield, NJ), 80.8 % w/w; F-92 glass (O. Hommel Co. Carnegie, PA), 5.2 % w/w; VC-1 resin (37% w/w Terpineol T-318, 55.5% w/w butyl carbitol, 7.5% w/w  
20 ethylcellulose N-300, Aqualon, Wilmington, DE), 3.7 % w/w; 15 % w/v ethyl cellulose N-300 in Texanol™, 4.0% w/w; 15 % w/v Elvacite 2045™ (polyisobutyl methacrylate) in Terpineol T-318, 4.1 % w/w; Duomeen TDO™, 0.6 % w/w; and Terpineol, 1.6 % w/w. These formulations were fired at 550°C to form high aspect ratio conductive conduits.

25                   When the size of the glass or metal powders increases, good filling properties (lack of cracking, good sealing against liquids, good adherence to sides of hole) can often still be obtained by decreasing the amount of organic in the via ink.

                  The devices used to insert via inks into holes in a plate  
30 typically include a metal stencil with openings corresponding to the openings in the plate. Via ink is applied above the stencil, which rests on the plate, and a bladder device is used to pressurize the ink to force it to fill the holes.

After filling, the plate with its via ink-filled holes is removed for further processing, as described below.

Prior to firing, much of the organic component is evaporated away by, for example, placing the ink-filled plate in a oven (e.g. at 100 °C) for one to five minutes. Preferably, the firing is conducted at a temperature from about 450°C to about 700°C, more preferably from about 500°C to about 550°C. However, the upper end of the appropriate firing temperature range is primarily dictated by the temperature at which the plate being treated would begin to warp. Accordingly, with some types of plates much higher temperatures could be contemplated.

To assure that there is conductive material that protrudes above and below the glass plate after firing, the top and bottom surface of the plate can be coated with a sacrificial layer of thicknesses equaling the length of the desired protrusions. The sacrificial layers can be applied before or after the holes are formed in the plate. If before, then the holes are formed through both the glass plate and the sacrificial layers. If after, then (a) corresponding openings through the sacrificial layers can be created by creating a gas pressure difference from one side of the plate to the other, which pressure difference blows clear the sacrificial material covering the holes or (b) such openings through at least the top sacrificial layer are created when the pressure of the ink pushes through the sacrificial layer and into the holes (leaving an innocuous amount of sacrificial layer material in the holes). An appropriate sacrificial layer burns away during the firing process.

Sacrificial layers can be made coating a plate with, for instance, 5 - 25 w/w % mixtures of ethyl cellulose resin (e.g., Ethyl Cellulose N-300, Aqualon, Wilmington, DE) dissolved in Terpeneol T-318™ or Texanol™, or 5 - 50 % w/w mixtures of Elvacite 2045™ in Terpeneol T-318™. After firing, the surfaces of the electrode can be enhanced plating metals, such as nickel, silver, gold, platinum, rhodium, etc. The depositions can be performed using standard electrolytic and/or electroless plating baths and techniques.

Preferably, where a plate that is to contain etched openings will be processed to include electrodes, the etching occurs first, followed by

coating with the sacrificial layer and forming the electrode holes.

In an alternate method of manufacture, for each pump, two or more metal wires, for example gold or platinum wires about 1-10 mils in diameter, are inserted into the openings in the channel walls about, e.g., 150  
5 microns apart. The wires were sealed into the channels by means of a conventional gold or platinum via fill ink made of finely divided metal particles in a glass matrix. After applying the via fill ink about the base of the wire on the outside of the opening, the channel is heated to a temperature above the flow temperature of the via fill ink glass, providing an excellent seal between  
10 the wires and the channel. The via ink, which is used to seal the holes, can be substituted with, for instance, solder or an adhesive.

#### I. Miscellaneous Features

In the case where the temperature of a particular well is to be monitored or changed, a means of heating or cooling the well is built into  
15 the well, as will be further explained below with reference to Fig. 20. The first well 36 in this example has deposited on its bottom surface a thin film 57 of a suitable metal oxide, such as tin oxide or indium tin oxide. The thin film 57 is connected by means of an electrically conductive metal connection 58 to the end or outer edge of the well 36. The tin oxide coating 57 serves as  
20 a heater element for the well 36. The sides of the well 36 have a surface bimetal film 59 and leads 60, suitably made of chromel-alumel alloys, forming a thermocouple to measure the temperature in the well when a source of current is applied to the tin oxide coating 57 and to the leads 58. A voltage applied to the well 36 via electrodes 56 deposited on the backside as shown  
25 regulates the temperature in the well. The amount of current applied can be regulated by the controller 10 in response to the temperature measured through the leads 60.

In some applications of the liquid distribution system a significant vapor pressure may develop in reaction cell 350, causing a back  
30 pressure into the distribution plate 310. Thus preformed valves 70 (see Figure 21A) formed of bimetallic materials as described by Jerman et al, "Understanding Microvalve Technology", Sensors, September 1994 pp 26-36

can be situated in third vertical channel 390. These materials have a thermal expansion mismatch. When the temperature in the reaction cell 350 is low, the ball valve 62 is in its normal position permitting free flow of fluids into the well 36 (see Figure 21A). As the temperature in the well 36 increases, the ball valve 62 moves to a cooler position (Figure 21B) blocking the third vertical channel 390 to isolate the reaction cell 350, thereby preventing fluids from passing into and out of the first well 36. Alternatively, a conventional check valve having a bearing, such as a bearing made of quartz or polytetrafluoroethylene polymer can be used to isolate the reaction cell 350. Where it is important to have the capability to have fluid flow counter to the direction established by the check valve, the check valve can have an insulating or magnetic bearing, which can be moved to allow such counter-flow with externally applied electrostatic-or magnetic fields.

## 15 EXAMPLES

### Example 1 - Liquids pumped with a simple electrode-based pump

Using the 1 mm capillary with a two electrode-pump described above in Section B.ii., a number liquids have been tested, including the following solvents:

Solvent	Flow direction	voltage applied
N-methyl-pyrrolidinone (NMP)	+	1470
Dimethyl formamide (DMF)	+	390
Dichloromethane (DCM)	-	686
Methanol (MeOH)	-	489
Isopropanol (IPA)	+	
Acetone	+	
Acetonitrile	+	

The following solutions in NMP, at 0.1M unless otherwise indicated, have

been tested:

	Reagent	Flow direction
	trans-4-(trifluoromethyl)-cinnamic acid	-
5	5-benzimidazolecarboxylic acid	-
	N,N-dicyclohexylcarbodiimide	+
	isobutylamine	+
10	2-(1H-benzotriazole-1-yl)-1,1,3,3-tetramethyluronium hexafluorophosphate (HBTU)	No flow at 0.1M, flow occurs lower concentrations (0.01 - 0.1M)

The following solutions in DMF, all at 0.1M excepting piperidine, which was 20% v/v, have been tested:

	Reagent	Flow direction*
	p-carboxybenzenesulfonamide	- P
	4-fluorophenylacetic acid	- P
	4-methoxyphenylacetic acid	- P
5	m-trifluoromethylbenzoic acid	- P
	3-(4-methoxyphenyl)propionic acid	-
	4-bromocinnamic acid	- P
	terephthalic acid	- P
10	isophthalic acid	- P
	1,3-phenylenediacetic acid	- P
	1,4-phenylenediacetic acid	- P
	3-(4-carboxyphenyl) propionic acid	- P
15	1,4-phenylenedipropionic acid	- P
	4,4'-oxybis (benzoic acid)	- P
	4,4'-dicarboxybenzophenone	- P
	piperidine	+
	1,3-diisopropylcarbodiimide	+
20	allylamine	+
	butylamine	+
	isoamylamine	+
	propylamine	+
	isobutylamine	+
25	cyclohexylamine	+
	heptylamine	+
	benzylamine	+
	phenylamine	+ P
	3-amino-1-propanol	+ P
30	2-aminoethanol	+

	Reagent	Flow direction*
	4-(aminomethyl) pyridine	+ P
	4-(2-aminoethyl) morpholine	+ P
	1-(3-aminopropyl) imidazole	+
	triphenylphosphine	+
5	4-(aminopropyl) morpholine	+
	9-fluorenemethanol	+
	p-nitrobenzyl alcohol	+
	p-(methylthio) benzyl alcohol	-
	o-aminobenzyl alcohol	+
10	2-methoxybenzyl alcohol	+
	2-(trifluoromethyl) benzyl alcohol	+
	2-amino-3-phenyl-1-propanol	+ P
	diethylazodicarboxylate	- P
	4-dimethylaminopyridine	+ P
15	carbazole	+
	azobenzene	+
	3,4-dihydroxybenzoic acid	- P
	4-methylmorpholine N-oxide	+
	3-cyanobenzoic acid	No flow
20	4-nitrophenylacetic acid	No flow, at 0.1M, flow occurs lower concentrations (0.01 - 0.1M)
	2-(1H-benzotriazole-1-yl)-1,1,3,3-tetramethyluronium hexafluorophosphate (HBTU)	No flow, at 0.1M, flow occurs lower concentrations (0.01 - 0.1M)
25	2,3-dichloro-5,6-dicyano-1,4-benzquinone	+ weak
	tetrapropylammonium perruthenate	No flow



Reagent	Flow direction <sup>*</sup>
l-oxo-2,2,6,6-tetramethylpiperdinium chloride	No flow
5-benzimidazolecarboxylic acid	N.D. <sup>δ</sup>
4-(aminomethyl) benzoic acid	N.D.
4-(aminomethyl) benzoic acid	N.D.
N,N-diisopropylethylamine	N.D.
isobuylamine	N.D.
glutathione (SH)	N.D.

5

10

<sup>\*</sup> Those directional indicators ("+" or "-") followed by a "P" indicate that flow was achieved using a pulsed voltage program pursuant to Figure 8, where  $\tau_1 = 0.1 - 1$  ms and  $\tau_2 = 3.0 - 10$  ms.

15

<sup>δ</sup> "N.D.", in this table and the tables below, indicates either that the solute was immiscible with the solvent or that visual inspection suggested that it had decomposed.

The following solutions in DCM, at 0.1M unless otherwise indicated , have been tested:

	Reagent	Flow direction*
	allylamine	-
5	butylamine	-
	cyclohexylamine	-
	1-(3-aminopropyl) imidazole	-
	diethylazodiacarboxylate	-
	TP Palladium	-
10	isobutylamine	-
	isoamylamine	-
	propylamine	-
	1-(3-aminopropyl)imidazole	-
	p-carboxybenzenesulfonamide	N.D.
15	2-(1H-benzotriazole-1-yl)- 1,1,3,3-tetramethyluronium hexafluorophosphate (HBTU)	N.D.

\* Those directional indicators ("+" or "-") followed by a "P" indicate that flow was achieved using a pulsed voltage program pursuant to Figure 8, where  $\tau_1 = 0.1 - 1$  ms and  $\tau_2 = 3.0 - 10$  ms.

The following solutions in methanol, all at 0.1M, have been tested:

Reagent	Flow direction*
4-fluorophenylacetic acid	-
9-fluorene-methanol	- P
p-(methylthio) benzyl alcohol	-
(R) sec-phenethyl alcohol	-
3-cyanobenzoic acid	No flow
4-nitrophenylacetic acid	- weak
allylamine	No flow
2-aminoethanol	No flow
2-(1H-benzotriazole-1-yl)- 1,1,3,3-tetramethyluronium hexafluorophosphate (HBTU)	N.D.
isobutylamine	N.D.
isomylamine	N.D.

Those directional indicators ("+" or "-") followed by a "P" indicate that flow was achieved using a pulsed voltage program pursuant to Figure 8, where  $\tau_1 = 0.1 - 1$  ms and  $\tau_2 = 3.0 - 10$  ms.

### Example 2 - An electrode-pump based preferential flow system

A channel system was fabricated on two inch by two inch by 20 mil plates of 211 Corning glass (Corning Glass Co., Corning, NY) to confirm that liquids can be switched to a desired flow pathway by controlling the voltages applied to certain electrode-based pumps. As illustrated in Figures 18A and 18B, first channel 804 (2,600  $\mu\text{m}$  long by 150  $\mu\text{m}$  wide by 100  $\mu\text{m}$  deep), second channel 805 (550  $\mu\text{m}$  long by 100  $\mu\text{m}$  wide by 100  $\mu\text{m}$  deep), third channel 806 (800  $\mu\text{m}$  long by 275  $\mu\text{m}$  wide by 100  $\mu\text{m}$  deep), fourth channel 807 (200  $\mu\text{m}$  long by 100  $\mu\text{m}$  wide by 100  $\mu\text{m}$  deep), fifth channel 808 (550  $\mu\text{m}$  long by 100  $\mu\text{m}$  wide by 100  $\mu\text{m}$  deep) and sixth channel 809 (2,500  $\mu\text{m}$  long by 150  $\mu\text{m}$  wide by 100  $\mu\text{m}$  deep) were fabricated on channel plate 810 (not shown). Also fabricated on the channel

plate 810 were first well 800A, second well 800B and third well 800C, which were connected by the channels. An electrode plate 820 was overlaid and sealed to the channel plate 810 by field assisted thermal bonding. The electrode plate 820 had openings into first well 800A and second well 800B (not illustrated). Third well 800C included a center drain 855. The electrode plate 820 further had platinum electrodes, fabricated by inserting 25  $\mu\text{m}$  wires. The electrodes included first platinum electrode 801A, second platinum electrode 801B, third platinum electrode 801C, fourth platinum electrode 802A, fifth platinum electrode 802B, third platinum electrode 802C, and the two electrodes comprising gamma electrode-based pump 803. First platinum electrode 801A, second platinum electrode 801B and third platinum electrode 801C make up alpha electrode-based pump 801, while fourth platinum electrode 802A, fifth platinum electrode 802B and sixth electrode 802C make up beta electrode-based pump 802.

Figure 18A shows methanol flowing from first well 800A to second well 800B, while bypassing third well 800C. This is done by applying 160 V to alpha electrode-based pump 801. Figure 18B shows methanol flowing from second well 800B to third well 800C while bypassing first well 800A. This is done by applying 200 V to beta electrode-based pump 802, 100 V to gamma electrode-based pump 803 and 120 V to alpha electrode-based pump 801, where the polarity at beta and gamma electrode-based pumps 802 and 803 favored flow into the third well 800C, and the polarity at alpha electrode-based pump 801 favored flow away from first well 800A.

### Example 3 - Electrode-based pumping past capillary barriers

Figure 19 shows a prototype liquid distribution system fabricated pursuant to the hydrologic liquid distribution system. The distribution system was constructed from three plates of Corning 7740 glass, Corning Glass, Inc., Corning, NY which plates became top plate 910, intermediate plate 920 and bottom plate 930. The top of intermediate plate 920 was coated with silicon as described above. In top plate 910 were formed, by laser drilling, first hole 901A, second hole 901B, third hole 902A,

fourth hole 902B, fifth hole 903A, sixth hole 903B, seventh hole 904A and eighth hole 904B, which holes each had a diameter of 75  $\mu\text{m}$ . First and second holes 901A and 901B were used to form first model electrode-based pump 961. Third and fourth holes 902A and 902B were used to form  
5 second prototype electrode-based pump 962. Fifth and sixth holes 903A and 903B were used to form third prototype electrode-based pump 963. Seventh and eighth holes 904A and 904B were used to form fourth model prototype electrode-based pump 964. The electrodes in each of first through fourth prototype electrode-based pumps, 961 - 964, were separated by 200  $\mu\text{m}$ .  
10 By etching, alpha opening 905, beta opening 906 and gamma opening 907 were formed on the underside of top plate 910. By laser drilling, ninth hole 908 and tenth hole 909, each with a diameter of 150  $\mu\text{m}$ , were formed through upper plate 910.

In intermediate plate 920 were formed first prototype  
15 channel 911 (made up of segments 911A - 911D) and second prototype channel 912 (made up of segments 912A - 912D). First and second prototype channels 911 and 912 having a depth of 80  $\mu\text{m}$  and a width of 150  $\mu\text{m}$ . The entries into these two prototype channels 911 and 912 are provided by ninth hole 908 and tenth hole 909, respectively. First reaction  
20 cell access hole 913 and second reaction cell access hole 914, each with a diameter of 150  $\mu\text{m}$ , were laser drilled through the intermediate plate 920. In the underside of intermediate plate 920, a delta opening 915 was formed, which delta opening 915 connects the reaction cell 950 to first and second prototype drain holes 921 and 922.

25 In the bottom plate 930, the reaction cell 950 was formed by etching. First prototype drain hole 921 and second prototype drain hole 922 were laser drilled through bottom plate 920. The top plate 910 and intermediate plate 920 were bonded together by field assisted thermal bonding.

30 When methanol was introduced into first prototype channel 911, the liquid was stopped from flowing into reaction cell access hole 913 by the capillary barrier formed by the structure at alpha opening 905.

Correspondingly, the capillary barrier formed by the structure at beta opening 906 prevented methanol flow into the reaction cell access hole 914. Flow into the reaction cell access holes 913 or 914, by either route, could be initiated by activating the appropriate pumps. For instance, to pump  
5 methanol through first prototype channel 911, first prototype electrode-based pump 901 and second prototype electrode-based pump 902 were biased by applying 200 V. Flow through the prototype channel 911 was observed.

**Example 4 - Combinatorial Synthesis of Oligonucleotide**

This synthesis begins with a number of polystyrene  
10 beads onto which is synthesized, by the phosphoramidite method, a protected oligonucleotide having a sequence (5' to 3'): GGAGCCATAGGACGAGAG. See, for instance, Caruthers et al., *Methods in Enzymology* 211: 3-20, 1992, for further discussion of oligonucleotide synthetic methods. The functionalized polystyrene beads, available from Bacham Bioscience (King of  
15 Prussia, PA) are inserted into each of the reaction cells of a microscale liquid distribution system having 4 X 4 reaction cells. The liquid distribution system has four first reservoirs, reservoir-1, reservoir-2, reservoir-3 and reservoir-4, each of which can address any reaction cell in the 4 X 4 array. The liquid distribution system has four second reservoirs, reservoir-5, reservoir-6,  
20 reservoir-7 and reservoir-8, each of which second reservoirs can address the four reaction cells along a given row (i.e., the reaction cells aligned along an EW axis). Further, the liquid distribution system has four third reservoirs, reservoir-9, reservoir-10, reservoir-11 and reservoir-12, each of which third reservoirs can address any of the four reaction cells in the corresponding  
25 column (i.e., reaction cells aligned along an NS axis).

The following process steps are executed:

1. Each of the reaction cells in the distribution system is washed with acetonitrile from reservoir-1.
2. 3% trichloro acetic acid (TCA) in  
30 dichloromethane, from reservoir-2, is pumped through all of the reaction cells. This solution is effective to remove the dimethoxytrityl protecting groups at the 5' ends of the oligonucleotides on the beads.

3. All of the reaction cells in the liquid distribution system are again flushed with acetonitrile from reservoir-1.

4. To the four reaction cells connected to reservoir-5, a mixture of 0.1M protected adenine phosphoramidite in acetonitrile is added.

5 This addition is effective to attach protected adenosine groups to the 5' ends of the oligonucleotides in the four reaction cells connected to reservoir-5. To the four reaction cells connected to reservoir-6, a mixture of 0.1M protected cytosine phosphoramidite in acetonitrile is added. This addition is effective to attach protected cytosine groups to the 5' ends of the oligonucleotides in the  
10 four reaction cells connected to reservoir-6. To the four reaction cells connected to reservoir-7, a mixture of 0.1M protected guanosine phosphoramidite in acetonitrile is added. This addition is effective to attach protected guanosine groups to the 5' ends of the oligonucleotides in the four reaction cells connected to reservoir-7. To the four reaction cells connected  
15 to reservoir-8, a mixture of 0.1M protected thymidine phosphoramidite in acetonitrile is added. This addition is effective to attach protected thymidine groups to the 5' ends of the oligonucleotides in the four reaction cells connected to reservoir-7.

5. The reaction cells are washed with acetonitrile  
20 from reaction cells from reservoir-1.

6. The reaction cells are flushed with acetic anhydride:2,6-lutidine:tetrahydrofuran 1:1:8 from reservoir-3. This solution is effective to cap any oligonucleotide chains that did not react with the added monomer.

25 7. The reaction cells are flushed with 1.1 M tetrabutylperoxide in dichloromethane. This step is effective to oxidize the phosphite triester, which links the newly added monomer to the oligonucleotide, to a phosphate triester.

8. Steps 1-3 are repeated.

30 9. To the four reaction cells connected to reservoir-9, a mixture of 0.1M protected adenine phosphoramidite in acetonitrile is added. This addition is effective to attach protected adenosine

groups to the 5' ends of the oligonucleotides in the four reaction cells connected to reservoir-9. To the four reaction cells connected to reservoir-10, a mixture of 0.1M protected cytosine phosphoramidite in acetonitrile is added. This addition is effective to attach protected cytosine

5 groups to the 5' ends of the oligonucleotides in the four reaction cells connected to reservoir-10. To the four reaction cells connected to reservoir-11, a mixture of 0.1M protected guanosine phosphoramidite in acetonitrile is added. This addition is effective to attach protected guanosine

10 groups to the 5' ends of the oligonucleotides in the four reaction cells connected to reservoir-11. To the four reaction cells connected to reservoir-12, a mixture of 0.1M protected thymidine phosphoramidite in acetonitrile is added. This addition is effective to attach protected thymidine

groups to the 5' ends of the oligonucleotides in the four reaction cells connected to reservoir-12.

15 The above outlined process is effective to generate 16 separate oligonucleotides, each with a distinct dinucleotide sequence at the 5' end. Similar synthetic methods can be applied to create various combinatorial molecules, including peptides and other molecules such as those having potential pharmacological activity or those useful for diagnostic or other

20 analytical application.



IN THE CLAIMS:

1. A distribution system comprising an alpha reservoir and a beta reservoir , a first set of parallel and adjacent first and second feeder channels and a second set of parallel and adjacent third and fourth  
5 feeder channels which are offset from the first and second feeder channels, wherein (a) the first and third feeder channels are connected to the alpha reservoir by a first connector channel that is situated above or below the second and fourth feeder channels and are independent of the beta reservoir and (b) the second and fourth feeder channels are connected to the beta  
10 reservoir by a second connector channel that is situated above or below the first and third feeder channels and are independent of the alpha reservoir.
2. The distribution system of claim 1, wherein the first and second feeder channels are each connected to a first set of two or more  
15 reaction cells and the third and fourth feeder channels are each connected to a second set of two or more reaction cells.
3. The distribution system of claim 2, wherein the feeder channels of the first and second feeder channel sets are parallel to each other.  
20
4. A liquid distribution system comprising:  
(a) a distribution plate comprising:  
a least two first reservoirs having a common  
first fill level;  
25 at least one feeder channel connected to and extending from each of the first reservoirs, each feeder channel having a horizontal feeder channel segment, wherein the top of the horizontal feeder channel segment is below the first fill level;  
at least one distribution channel connected to  
30 each feeder channel and having a second fill level at substantially the same elevation as the first fill level; and  
a first liquid level maintaining means for

maintaining the liquid level in each first reservoir at the first fill level,  
wherein filling each first reservoir to the first fill level  
results in the filling of the connected feeder channels and filling the connected  
distribution channels to the second fill level.

5

5. The distribution system of claim 4, wherein in the  
distribution plate one feeder channel from each of the at least two first  
reservoirs are parallel and adjacent to one another.

10

6. The distribution system of claim 5, wherein each of  
the parallel feeder channels is connected to a separate distribution channel  
positioned perpendicular to the horizontal feeder channel segments of the  
parallel feeder channels, and each of the connected distribution channels are  
parallel and adjacent to one another.

15

7. The distribution system of claim 6, comprising in the  
distribution plate at least four first reservoirs and at least two sets of parallel,  
adjacent feeder channels, wherein each of the feeder channels in each set is  
connected to a separate reservoir, and wherein each set of parallel, adjacent  
20 feeder channels is connected to at least two sets of adjacent, perpendicular  
distribution channels.

8. The distribution system of claim 4, wherein in the  
distribution plate the horizontal feeder channel segments connected to the  
25 first reservoirs are substantially parallel to one another and wherein the  
distribution plate comprises one or more second reservoirs, each having a  
third fill level, a second liquid level maintaining means for maintaining the  
liquid level in each second reservoir at the third fill level, and an second  
reservoir extension channel the top of which is at substantially the same  
30 elevation as the third fill level.

9. The distribution system of claim 8, wherein the second



- 68 -

pumps in the distribution plate each comprise a first electrode and a second electrode and the controller can direct a pulsed voltage to the pumps to cause pumping.

5                   15.    The distribution system of claim 14, wherein the controller comprises an electrical data storage device comprising a database of pumping programs for pumping one or more liquids.

10                   16.    The distribution system of claim 14, wherein one or more of the pumps further comprise a third electrode and, for the three electrode pumps, the controller can (i) direct a pulsed voltage across the first and second electrodes or (ii) across the first and third electrodes.

15                   17.    A liquid distribution system comprising:  
                    (a)    a reservoir,  
                    (b)    a channel addressable by the reservoir having a capillary barrier.

20                   18.    The liquid distribution system of claim 17, wherein the capillary barrier comprises a dam.

                    19.    The liquid distribution system of claim 17, wherein the capillary barrier comprises one or more upwardly oriented sharp edges.

25                   20.    The liquid distribution system of claim 1, further comprising a pump associated with the channel for pumping liquid past the capillary barrier.

30                   21.    The liquid distribution system of claim 20, further comprising a reaction well and a conduit from the outlet of the capillary barrier to the reaction well.

- 69 -

22. The liquid distribution system of claim 20, wherein the pump is an electrode-based pump.

23. A liquid distribution system comprising:  
5 one or more continuous flow channels, each having a  
upstream end and a downstream end, wherein the continuous flow channels  
have an open zone at the downstream end,  
for each continuous flow channel, a branch channel  
extending off of that continuous flow channel in the open zone, and  
10 for each continuous flow channel, an alpha constrictor  
for constricting flow in the open zone located downstream of the branch  
channel inlet,  
wherein when a liquid flows through one of the  
continuous flow channels from the upstream to the downstream end a first  
15 ratio amount of fluid is diverted into the branch channel when the alpha  
constrictor is not operating and a second ratio amount, which is greater than  
the first ratio amount, flows into the branch channel when the alpha  
constrictor is in operation.

20 24. The distribution system of claim 23, further  
comprising, for at least one branch channel, a beta constrictor for constricting  
flow through the branch channel.

25 25. The distribution system of claim 23, wherein the  
system has two or more continuous flow channels and further comprising a  
buffer channel addressable by at least two continuous flow channels via their  
associated branch channels.

30 26. The distribution system of claim 25, further comprising  
a reaction cell and wherein the buffer channel is connected to a reaction cell  
conduit to the reaction cell and to an overflow conduit.

- 70 -

27. The distribution system of claim 26, wherein the reaction cell conduit has a gamma constrictor and the overflow conduit has a delta constrictor.

5                   28. A distribution system comprising:  
                    a reaction cell,  
                    two or more feeder channels,  
                    a separate conduit for each feeder channel connecting  
                    that feeder channel to the reaction cell, and  
10                   a expansion valve for each conduit, wherein the  
                    expansion valve has an expanded state that fills a cross-section of the conduit  
                    and prevents fluid flow through the conduit and an contracted state that  
                    allows fluid flow through the conduit.

15                   29. The distribution system of claim 28 further comprising  
                    at least about two cells, each separately addressable by two or more feeder  
                    channels via conduits each having a bubble expansion valve.

                    30. The distribution system of claim 28, wherein at least  
20 one conduit has two or more expansion valves.

                    31. The distribution system of claim 30, wherein at least  
                    one conduit has three or more expansion valves which can be operated in  
                    concert to pump liquid from the connected feeder channel into the reaction  
25 cell.

                    32. A liquid distribution system comprising:  
                    one or more feeder channels each made up of a feeder  
                    channel inlet and a feeder channel outlet and, connected to each such feeder  
30 channel, a distribution channel, each feeder channel having a three-way  
                    junction connecting a feeder channel inlet, a feeder channel outlet and the  
                    connected distribution channel, the distribution channel connecting with a

- 71 -

reaction cell;

for each such three-way junction, a first electrode-based pump in the feeder channel inlet or in the feeder channel outlet; and

for each such three-way junction, a second electrode-based  
5 pump in the distribution channel,

wherein the voltages applied to the first electrode-based pump and the second electrode-based pump can be chosen (a) so that fluid in one of the feeder channels can be moved from the feeder channel inlet to the feeder channel outlet of the feeder channel with a first amount of flow into  
10 the connected distribution channel or (b) so that a second amount of flow which is greater than the first amount proceeds via the connected distribution channel.

33. The distribution system of claim 32, wherein for at  
15 least one such three-way junction there is a third electrode-based pump in whichever of the feeder channel inlet or feeder channel outlet lacks the first electrode-based pump.

34. The distribution system of claim 32, wherein one or  
20 more distribution channels have a capillary barrier.

35. The distribution system of claim 32, wherein the opening of one or more distribution channels at the three-way junction has a width that is about 50% or less of the width of the connected feeder channel.  
25

36. A liquid distribution system suitable for conducting reactions for chemical syntheses or chemical reactions involved in an assay, the distribution system comprising a reaction cell, a channel connected to the reaction cell and a pump situated in the channel comprising a first electrode,  
30 second electrode and third electrode.

37. The distribution system of claim 36, wherein the first

- 72 -

electrode and second electrode are spaced between about 100 microns and 2500 microns apart, and the spacing between the third electrode and the nearest of the first or second electrodes is between about 100 microns and 1000 microns.

5

38. The distribution system of claim 36, wherein the first electrode and second electrode are spaced between about 250 microns and 1000 microns apart, and the spacing between the third electrode and the nearest of the first or second electrodes is between about 250 microns and  
10 1000 microns.

39. The distribution system of claim 36, further comprising a controller that controls the operation of the pump, wherein the controller can operate any pair of electrodes in the pump.

15

40. The distribution system of claim 39, wherein the controller comprises an information storage means which stores pumping protocols for one or more liquids, each of which stored protocols include a designation of an appropriate pair of pump electrodes for pumping the liquid  
20 of the protocol.





pumps in the distribution plate each comprise a first electrode and a second electrode and the controller can direct a pulsed voltage to the pumps to cause pumping.

5                    15.    The distribution system of claim 14, wherein the controller comprises an electrical data storage device comprising a database of pumping programs for pumping one or more liquids.

10                    16.    The distribution system of claim 14, wherein one or more of the pumps further comprise a third electrode and, for the three electrode pumps, the controller can (i) direct a pulsed voltage across the first and second electrodes or (ii) across the first and third electrodes.

15                    17.    A liquid distribution system comprising:  
                      (a)    a reservoir,  
                      (b)    a channel addressable by the reservoir having a capillary barrier.

20                    18.    The liquid distribution system of claim 17, wherein the capillary barrier comprises a dam.

                      19.    The liquid distribution system of claim 17, wherein the capillary barrier comprises one or more upwardly oriented sharp edges.

25                    20.    The liquid distribution system of claim 1, further comprising a pump associated with the channel for pumping liquid past the capillary barrier.

30                    21.    The liquid distribution system of claim 20, further comprising a reaction well and a conduit from the outlet of the capillary barrier to the reaction well.

22. The liquid distribution system of claim 21, wherein the pump is an electrode-based pump.

23. A liquid distribution system comprising:  
5 one or more continuous flow channels, each having a upstream end and a downstream end, wherein the continuous flow channels have an open zone at the downstream end,  
for each continuous flow channel, a branch channel extending off of that continuous flow channel in the open zone, and  
10 for each continuous flow channel, an alpha constrictor for constricting flow in the open zone located downstream of the branch channel inlet,  
wherein when a liquid flows through one of the continuous flow channels from the upstream to the downstream end a first  
15 ratio amount of fluid is diverted into the branch channel when the alpha constrictor is not operating and a second ratio amount, which is greater than the first ratio amount, flows into the branch channel when the alpha constrictor is in operation.

20 24. The distribution system of claim 23, further comprising, for at least one branch channel, a beta constrictor for constricting flow through the branch channel.

25 25. The distribution system of claim 23, wherein the system has two or more continuous flow channels and further comprising a buffer channel addressable by at least two continuous flow channels via their associated branch channels.

30 26. The distribution system of claim 25, further comprising a reaction cell and wherein the buffer channel is connected to a reaction cell conduit to the reaction cell and to an overflow conduit.

27. The distribution system of claim 26, wherein the reaction cell conduit has a gamma constrictor and the overflow conduit has a delta constrictor.
- 5                    28. A distribution system comprising:  
                         a reaction cell,  
                         two or more feeder channels,  
                         a separate conduit for each feeder channel connecting  
that feeder channel to the reaction cell, and  
10                    a expansion valve for each conduit, wherein the  
expansion valve has an expanded state that fills a cross-section of the conduit  
and prevents fluid flow through the conduit and an contracted state that  
allows fluid flow through the conduit.
- 15                    29. The distribution system of claim 28 further comprising  
at least about two cells, each separately addressable by two or more feeder  
channels via conduits each having a bubble expansion valve.
30. The distribution system of claim 28, wherein at least  
20 one conduit has two or more expansion valves.
31. The distribution system of claim 30, wherein at least  
one conduit has three or more expansion valves which can be operated in  
concert to pump liquid from the connected feeder channel into the reaction  
25 cell.
32. A liquid distribution system comprising:  
                         one or more feeder channels each made up of a feeder  
channel inlet and a feeder channel outlet and, connected to each such feeder  
30 channel, a distribution channel, each feeder channel having a three-way  
junction connecting a feeder channel inlet, a feeder channel outlet and the  
connected distribution channel, the distribution channel connecting with a

reaction cell;

for each such three-way junction, a first electrode-based pump in the feeder channel inlet or in the feeder channel outlet; and

5 for each such three-way junction, a second electrode-based pump in the distribution channel,

wherein the voltages applied to the first electrode-based pump and the second electrode-based pump can be chosen (a) so that fluid in one of the feeder channels can be moved from the feeder channel inlet to the feeder channel outlet of the feeder channel with a first amount of flow into  
10 the connected distribution channel or (b) so that a second amount of flow which is greater than the first amount proceeds via the connected distribution channel.

33. The distribution system of claim 32, wherein for at  
15 least one such three-way junction there is a third electrode-based pump in whichever of the feeder channel inlet or feeder channel outlet lacks the first electrode-based pump.

34. The distribution system of claim 32, wherein one or  
20 more distribution channels have a capillary barrier.

35. The distribution system of claim 32, wherein the opening of one or more distribution channels at the three-way junction has a width that is about 50% or less of the width of the connected feeder channel.  
25

36. A liquid distribution system suitable for conducting reactions for chemical syntheses or chemical reactions involved in an assay, the distribution system comprising a reaction cell, a channel connected to the reaction cell and a pump situated in the channel comprising a first electrode,  
30 second electrode and third electrode.

37. The distribution system of claim 36, wherein the first

electrode and second electrode are spaced between about 100 microns and 2500 microns apart, and the spacing between the third electrode and the nearest of the first or second electrodes is between about 100 microns and 1000 microns.

5

38. The distribution system of claim 36, wherein the first electrode and second electrode are spaced between about 250 microns and 1000 microns apart, and the spacing between the third electrode and the nearest of the first or second electrodes is between about 250 microns and  
10 1000 microns.

39. The distribution system of claim 36, further comprising a controller that controls the operation of the pump, wherein the controller can operate any pair of electrodes in the pump.

15

40. The distribution system of claim 39, wherein the controller comprises an information storage means which stores pumping protocols for one or more liquids, each of which stored protocols include a designation of an appropriate pair of pump electrodes for pumping the liquid  
20 of the protocol.

41. An electrode-based pump comprising a first electrode and a second electrode, wherein the first and second electrodes have a diameter from about 25 microns to about 100 microns and are spaced from  
25 about 100 microns to about 2,500 microns apart.

42. The electrode-based pump of claim 41, wherein the pump is situated in a fluid channel of capillary dimensions.

30 43. The electrode-based pump of claim 42, wherein the first and second electrodes are from about 150 microns to about 1000 microns apart.

44. The electrode-based pump of claim 42, wherein the first and second electrodes are from about 250 microns to about 1000 microns apart.

5 45. The electrode-based pump of claim 42, wherein the first and second electrodes are from about 150 microns to about 250 microns apart.

46. An electrode-based pump comprising a first electrode,  
10 second electrode and third electrode.

47. The electrode-based pump of claim 46, wherein the pump is situated in a fluid channel of capillary dimensions.

15 48. The electrode-based pump of claim 47, wherein the first and second electrodes are spaced from about 100 microns to about 2,500 microns apart, and wherein the third electrode is spaced from about 200 micron to about 5,000 microns from the first electrode and is closer to the second electrode.

20

49. The electrode-based pump of claim 48, wherein the third electrode is spaced from about 500 micron to about 1,500 microns from the first electrode.

25 50. The electrode-based pump of claim 47, further comprising a fourth electrode.

51. The electrode-based pump of claim 50, wherein the third and fourth electrodes are spaced from about 200 micron to about 5,000  
30 microns apart.

52. The electrode-based pump of claim 51, wherein the

first and second electrodes shall be positioned between the third and fourth electrodes.

53. The electrode-based pump of claim 51, wherein the  
5 first and second electrodes are spaced from about 100 microns to about  
2,500 microns apart.

54. The electrode-based pump of claim 51, wherein the  
third and fourth electrodes are spaced from about 500 micron to about 1,500  
10 microns apart.

55. A method of changing the electrokinetic pumping  
parameters of a liquid, the method comprising  
(a) selecting a pumping additive based on the pumping  
15 pressure, pumping flow rate and electrical efficiency exhibited by the additive,  
and  
(b) mixing the pumping additive with the liquid to obtain a  
mixture having either (i) improved pumping pressure, pumping flow rate or  
electrical efficiency, or (ii) having a preference for pumping in a direction  
20 opposite that of the liquid, in the absence of pumping additive.

56. The method of claim 55, wherein the mixture obtained  
has a flow preference opposite that of the liquid.

25 57. The method of claim 55, wherein the mixture obtained  
has improved pumping pressure, pumping flow rate or electrical efficiency.

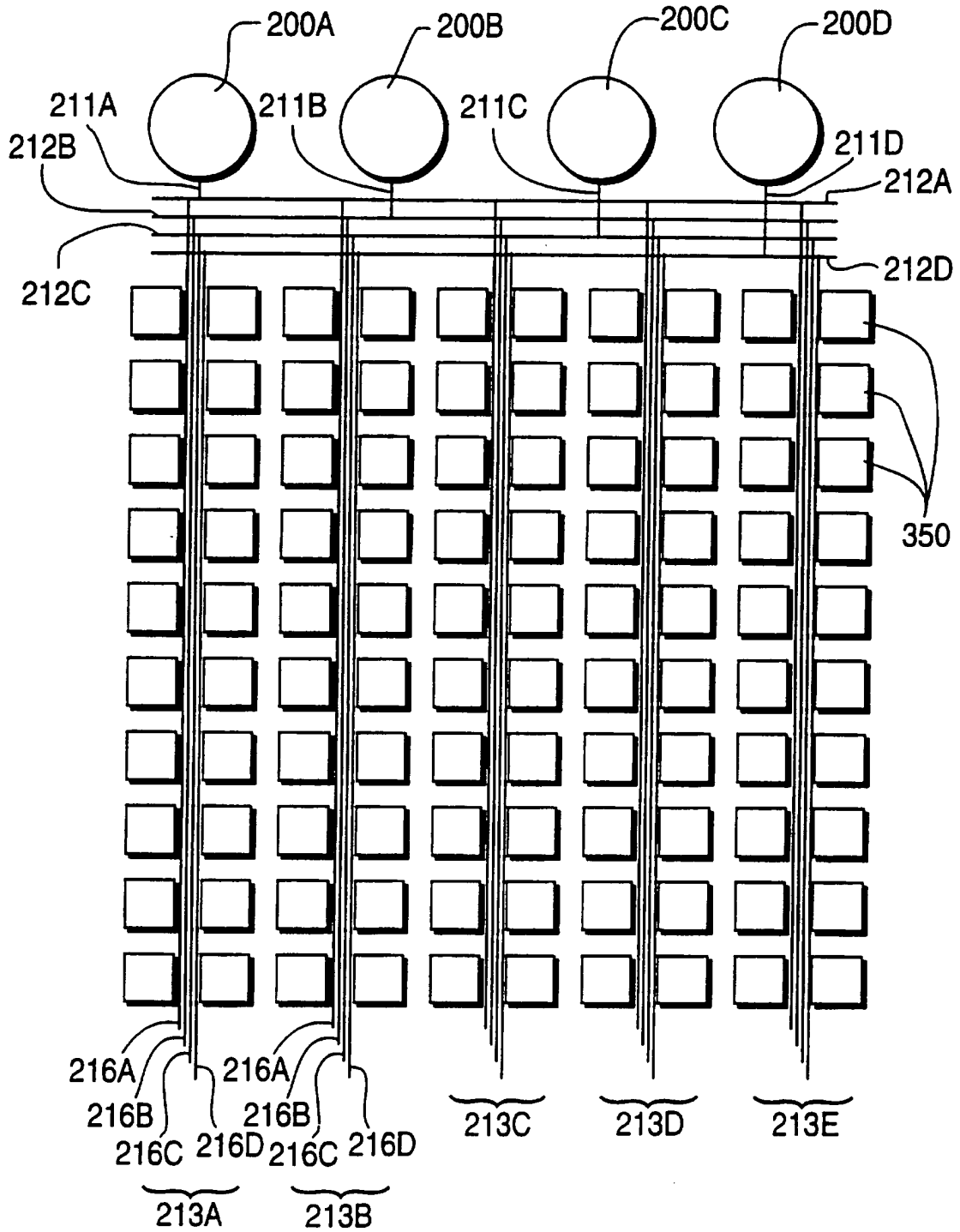
58. The method of claim 55, wherein the pumping additive  
comprises from about 0.05 % w/w to about 10 % w/w of mixture.  
30

59. The method of claim 58, wherein the pumping additive  
comprises from about 0.1 % w/w to about 5 % w/w of the mixture



60. The method of claim 59, wherein the pumping additive comprises from about 0.1 % w/w to about 1 % w/w of the mixture.

1/16



**FIG. 1**

**SUBSTITUTE SHEET (RULE 26)**

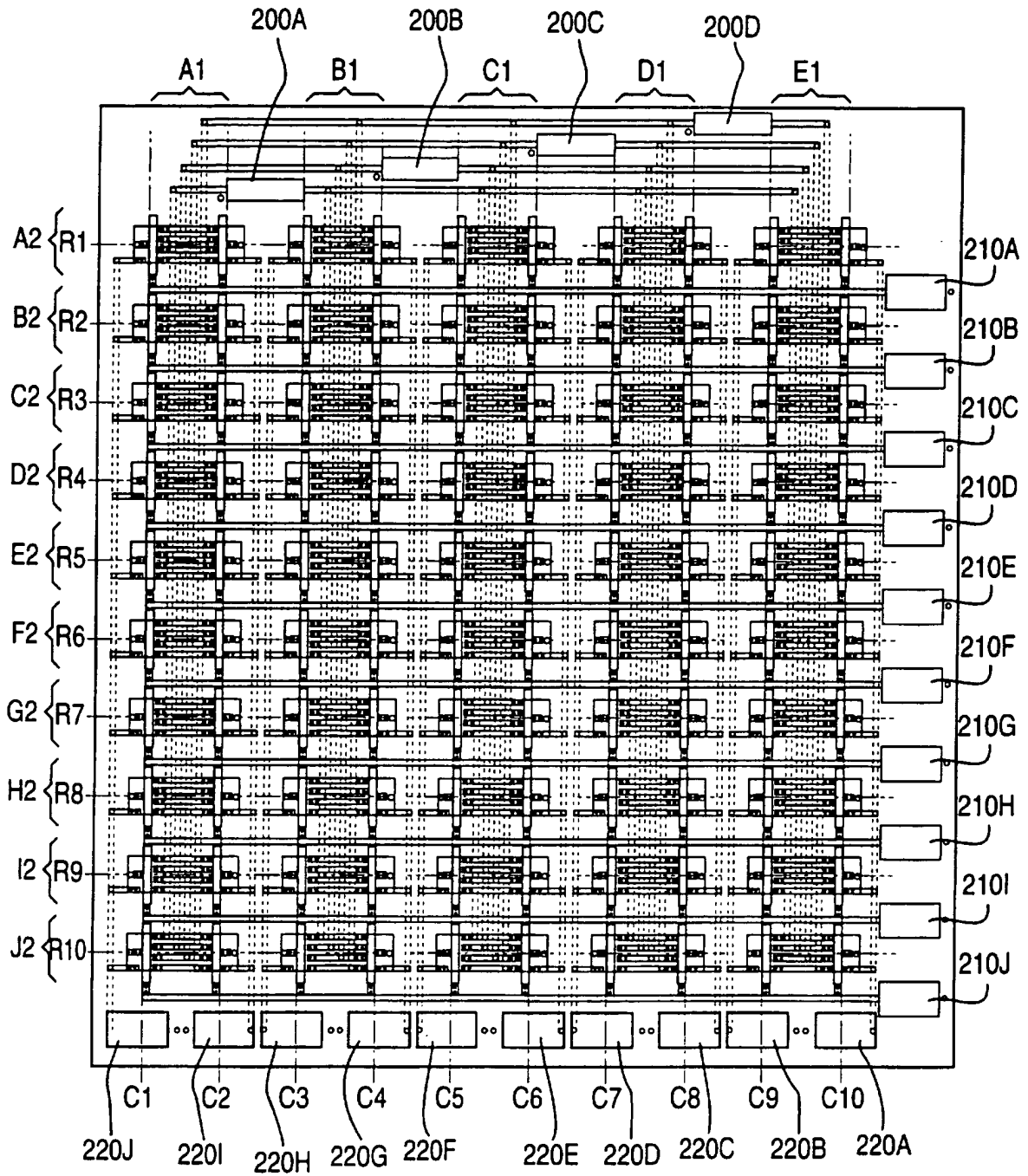


FIG. 2

SUBSTITUTE SHEET (RULE 26)

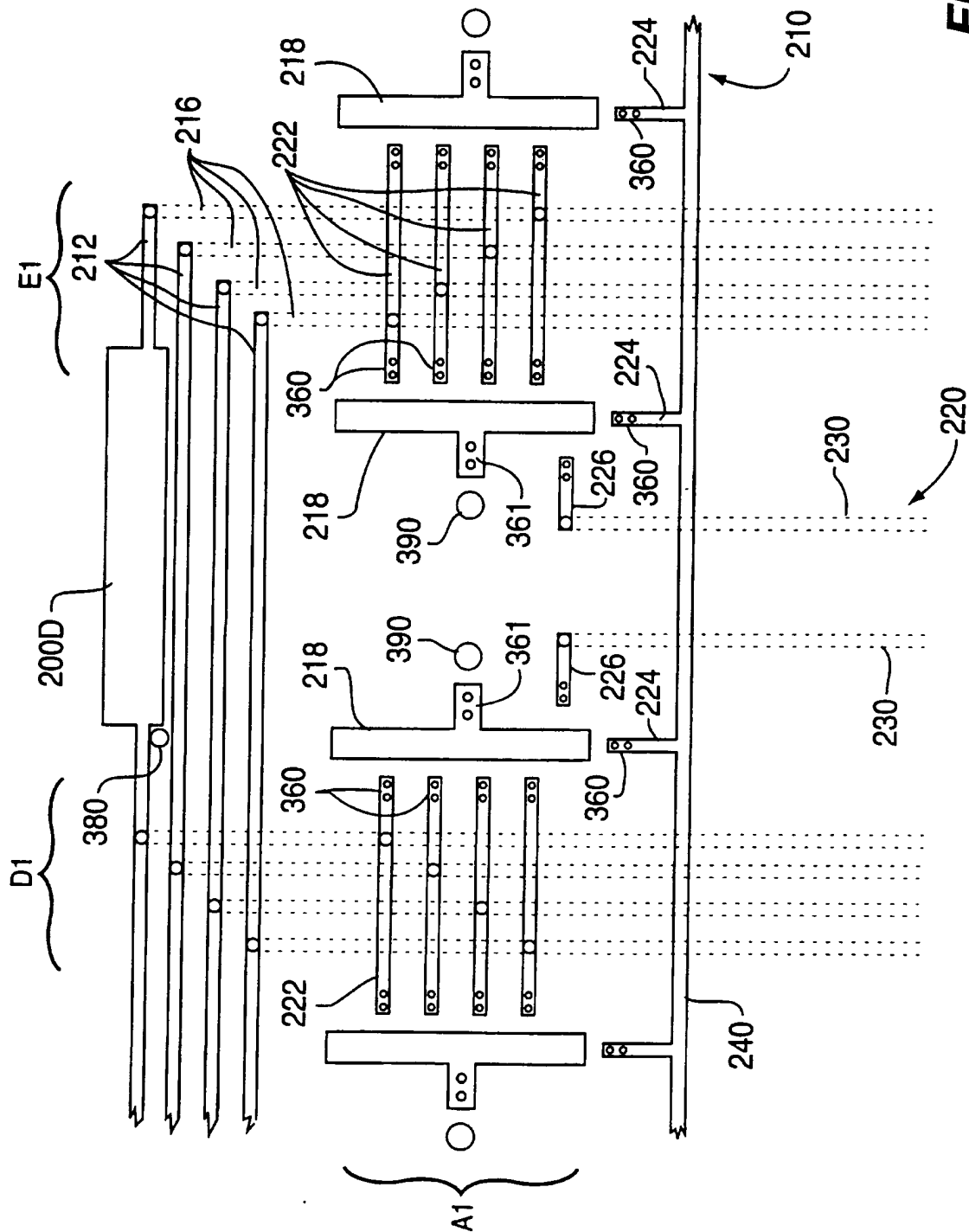
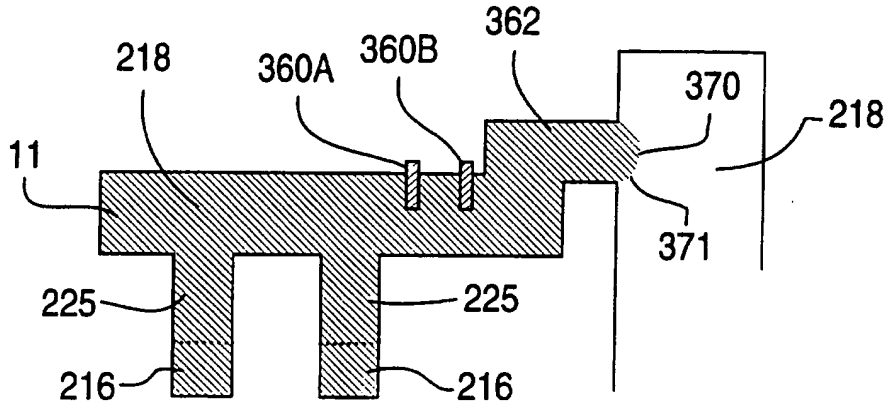
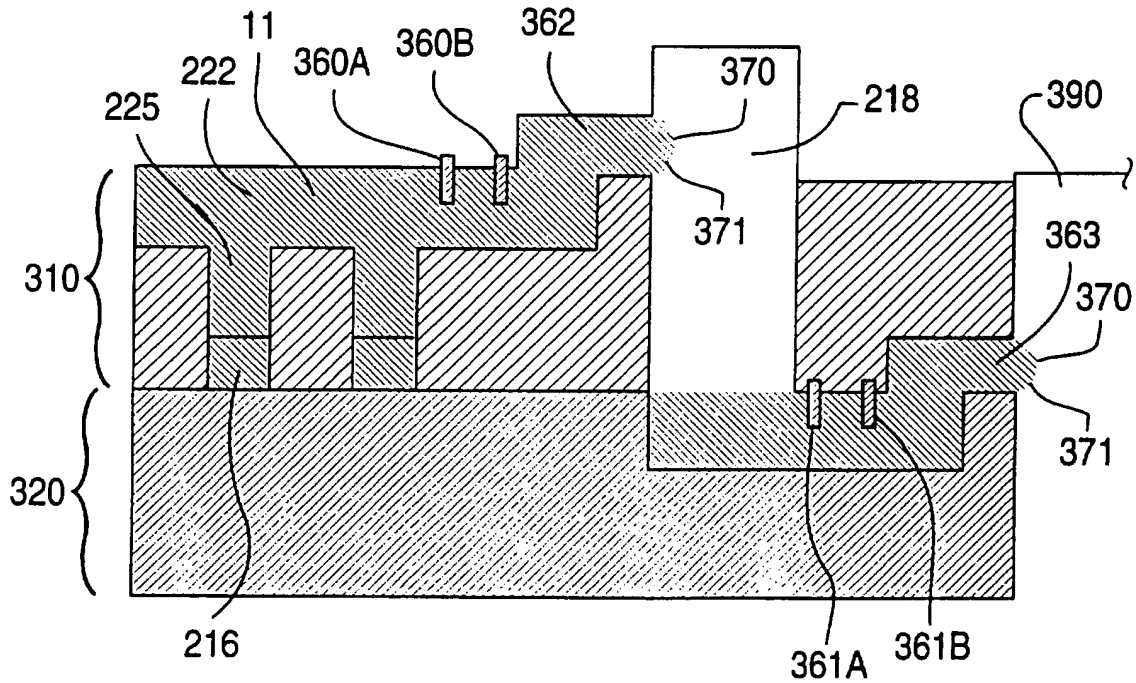


FIG. 3

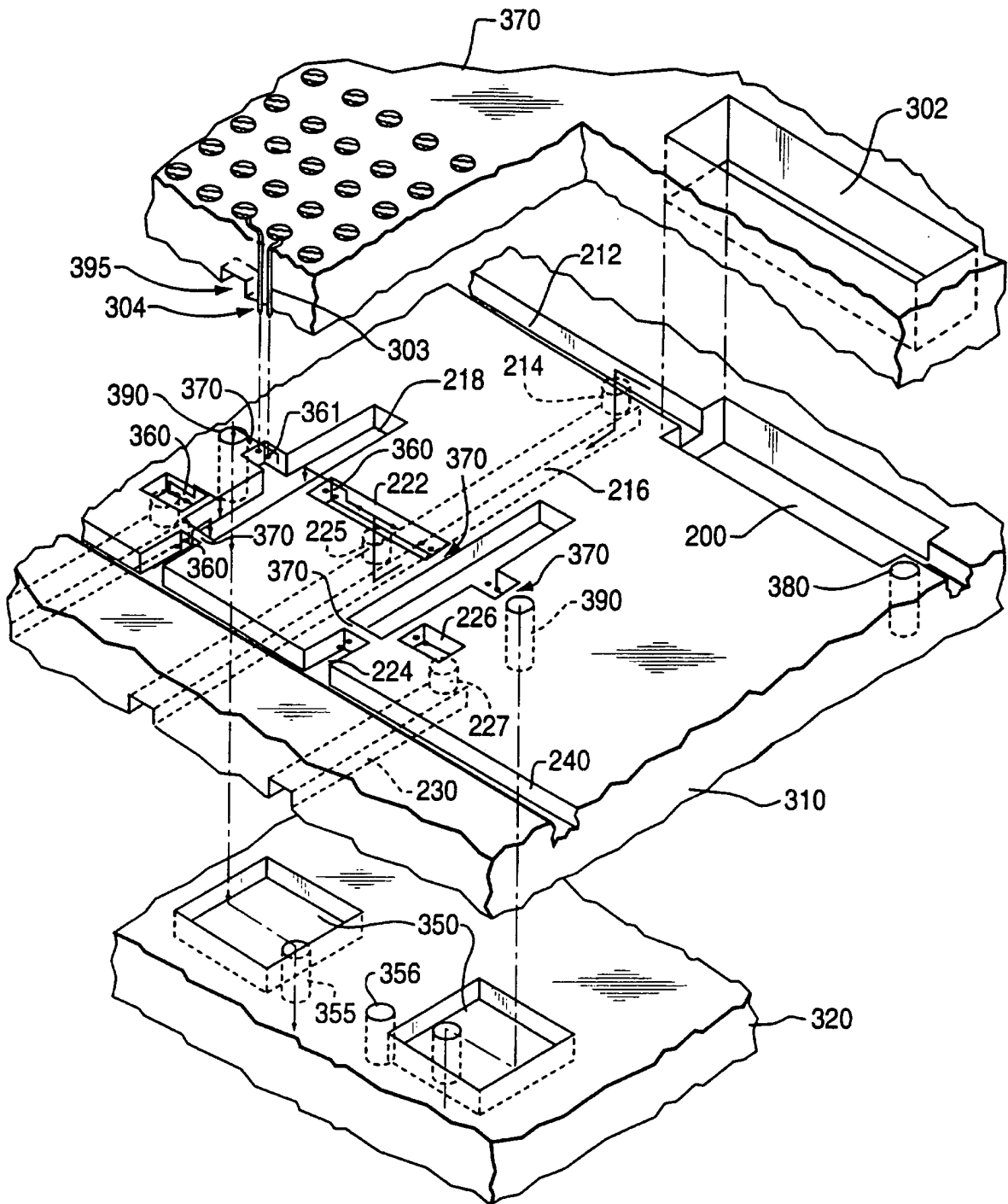


**FIG. 4A**



**FIG. 4B**

5/16



**FIG. 5**

**SUBSTITUTE SHEET (RULE 26)**

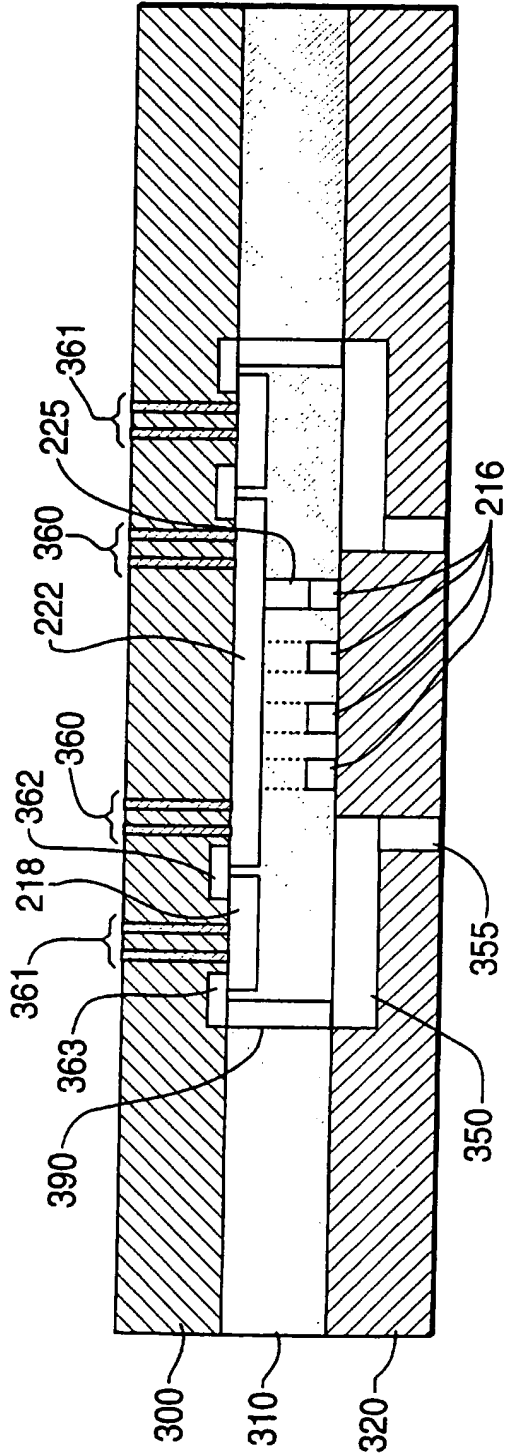


FIG. 6A

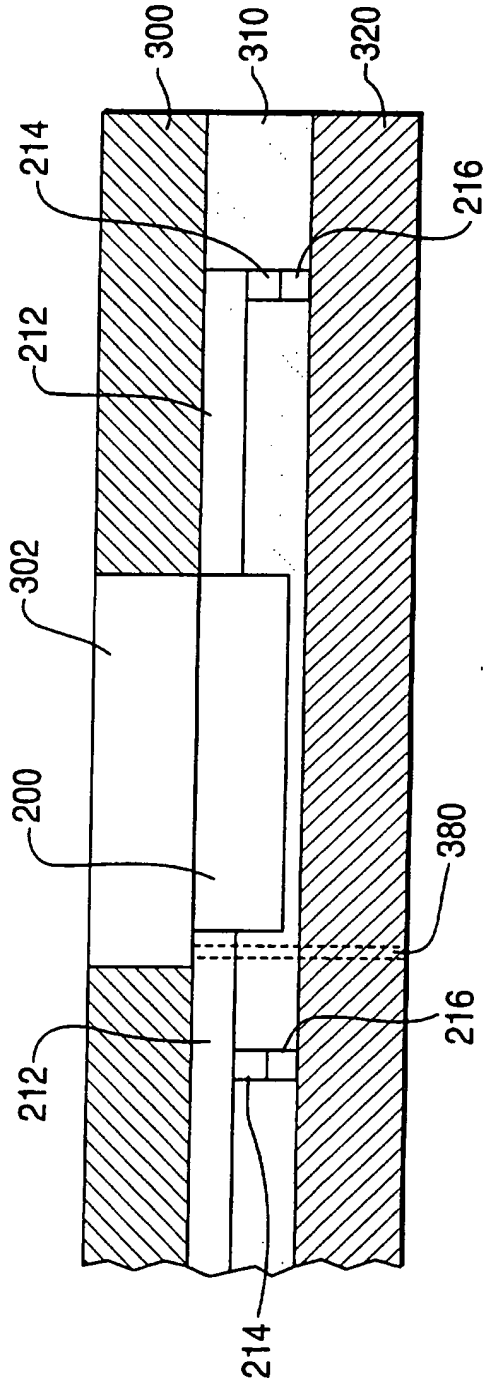


FIG. 6B

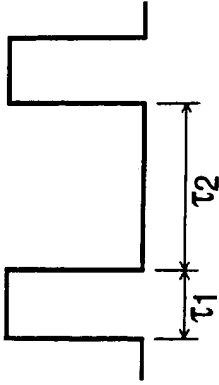


FIG. 8

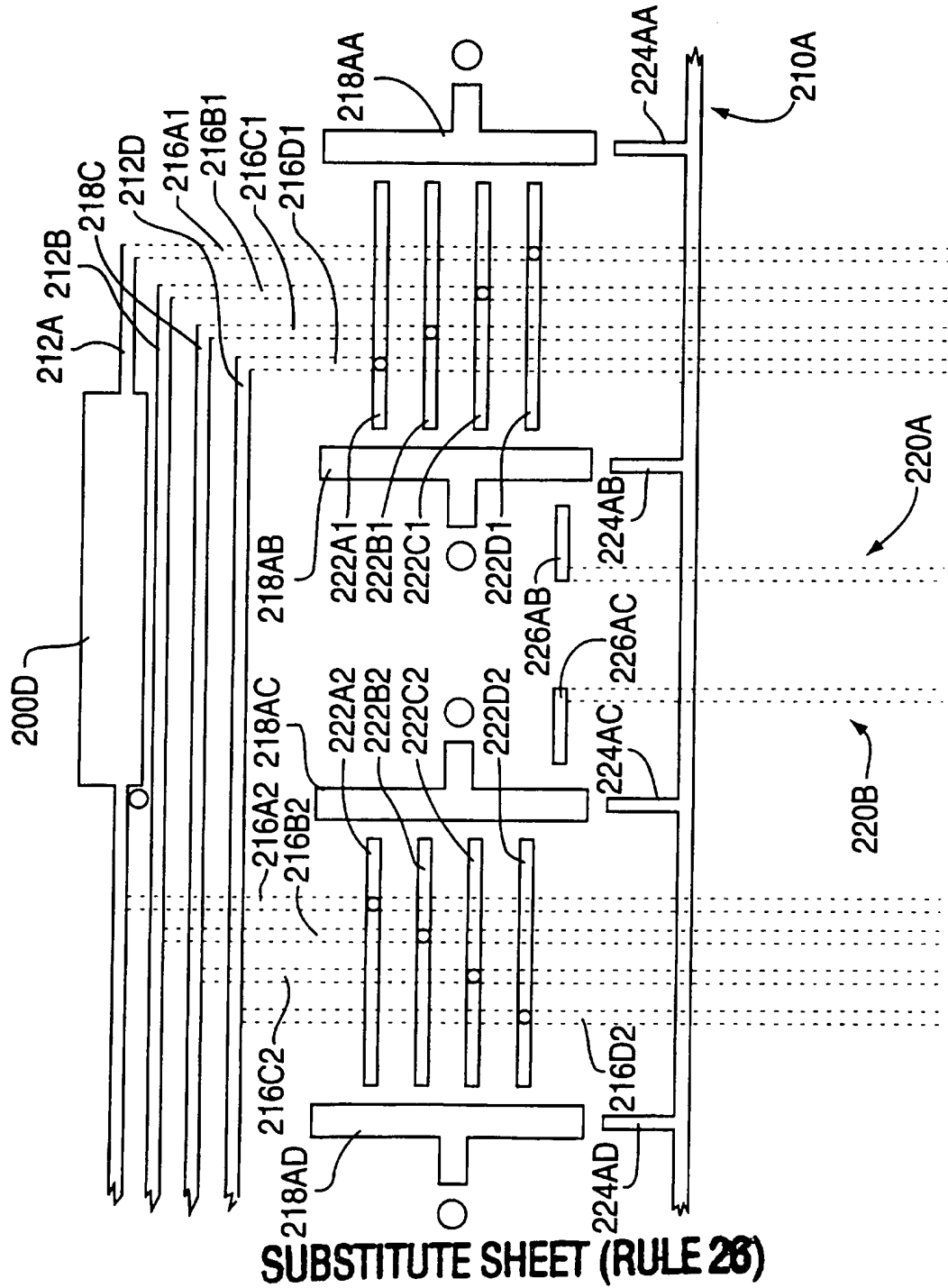


FIG. 7

SUBSTITUTE SHEET (RULE 26)



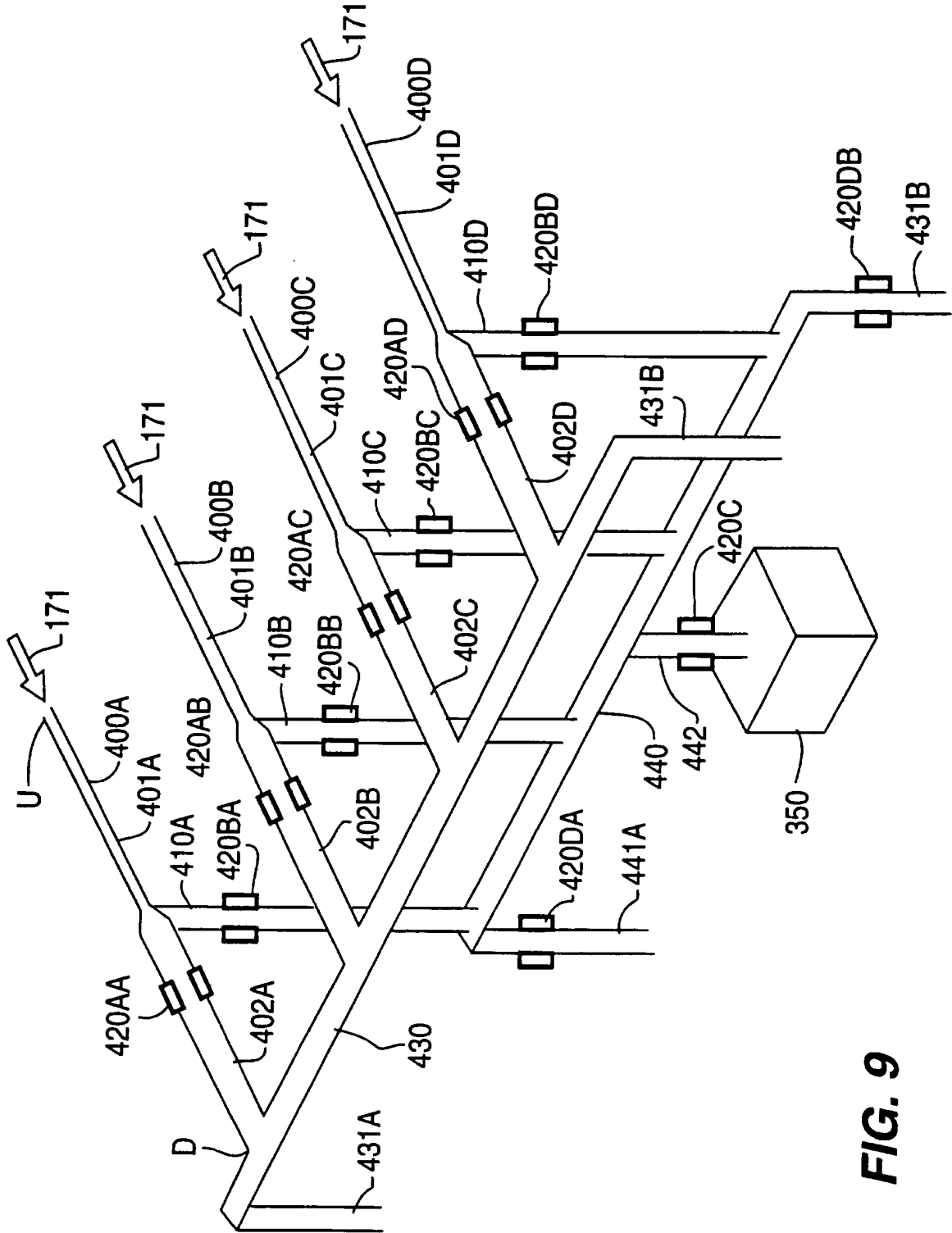


FIG. 9

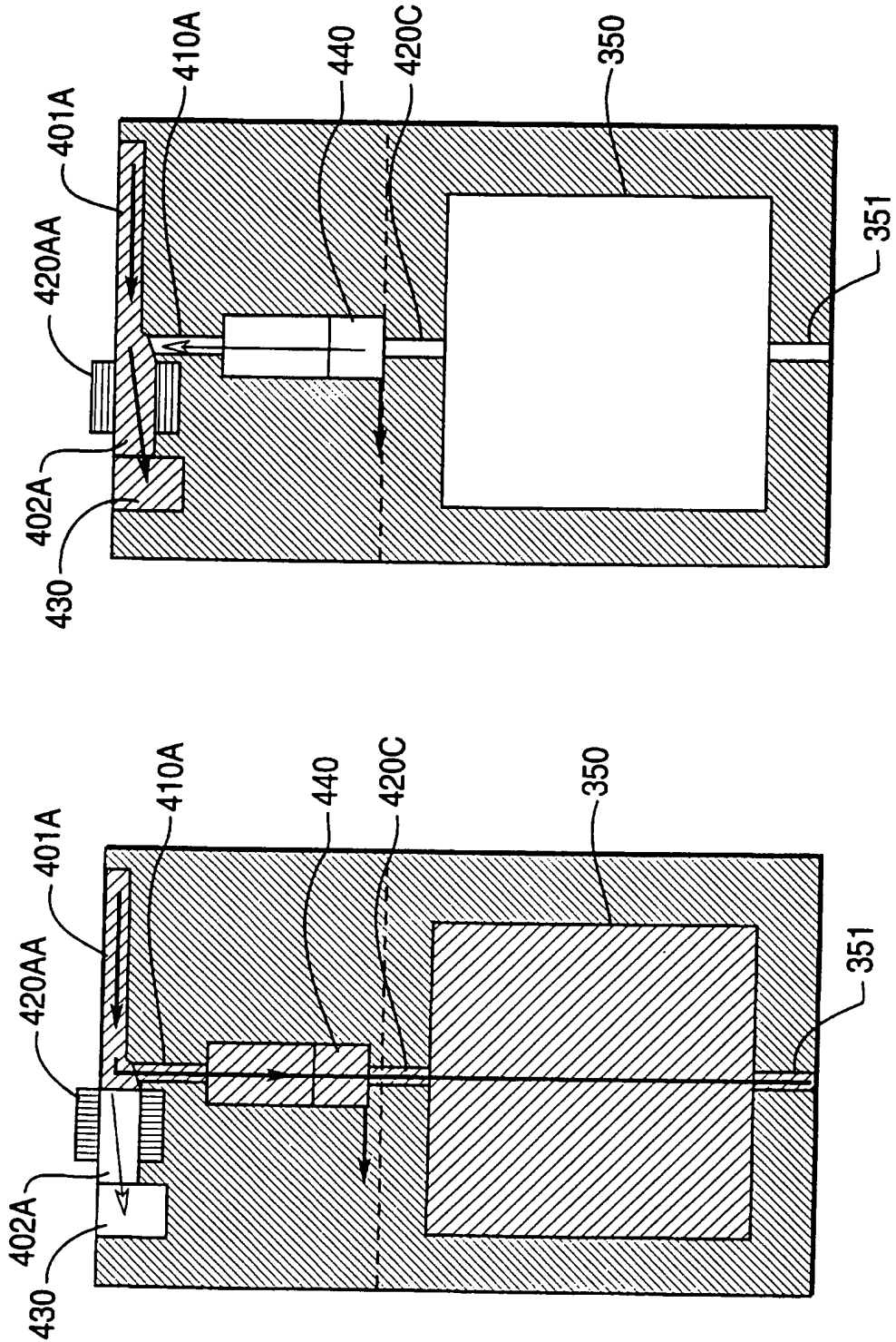
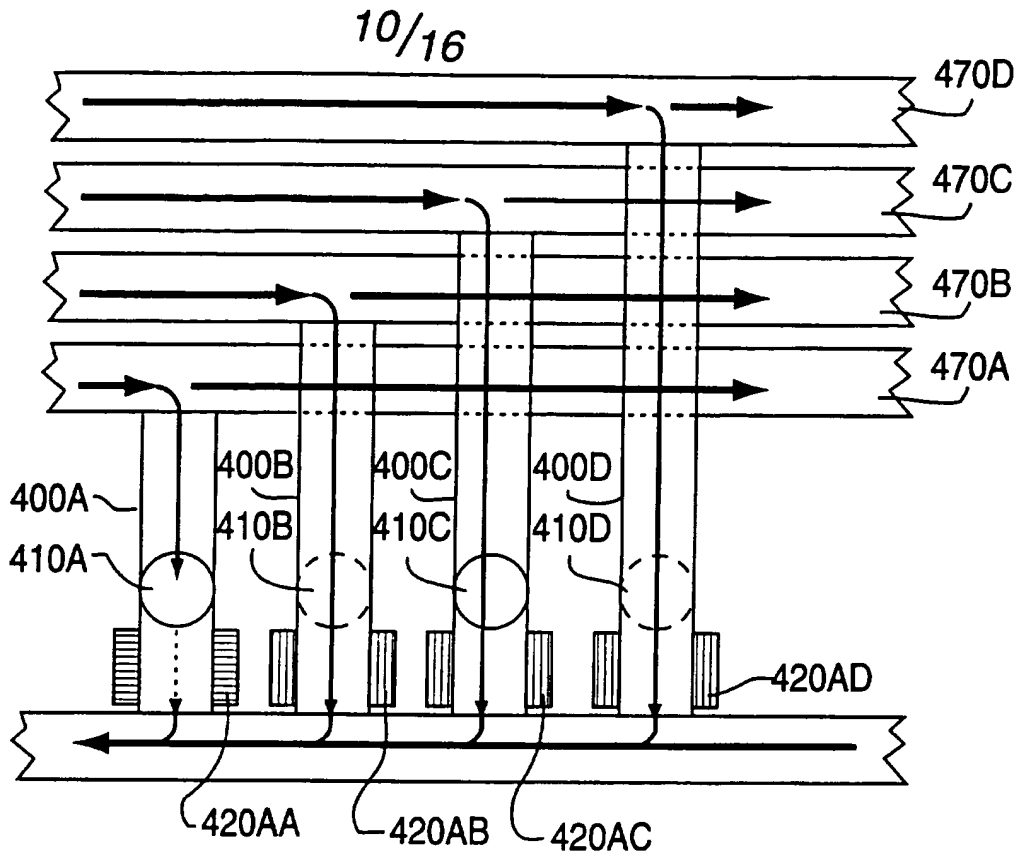
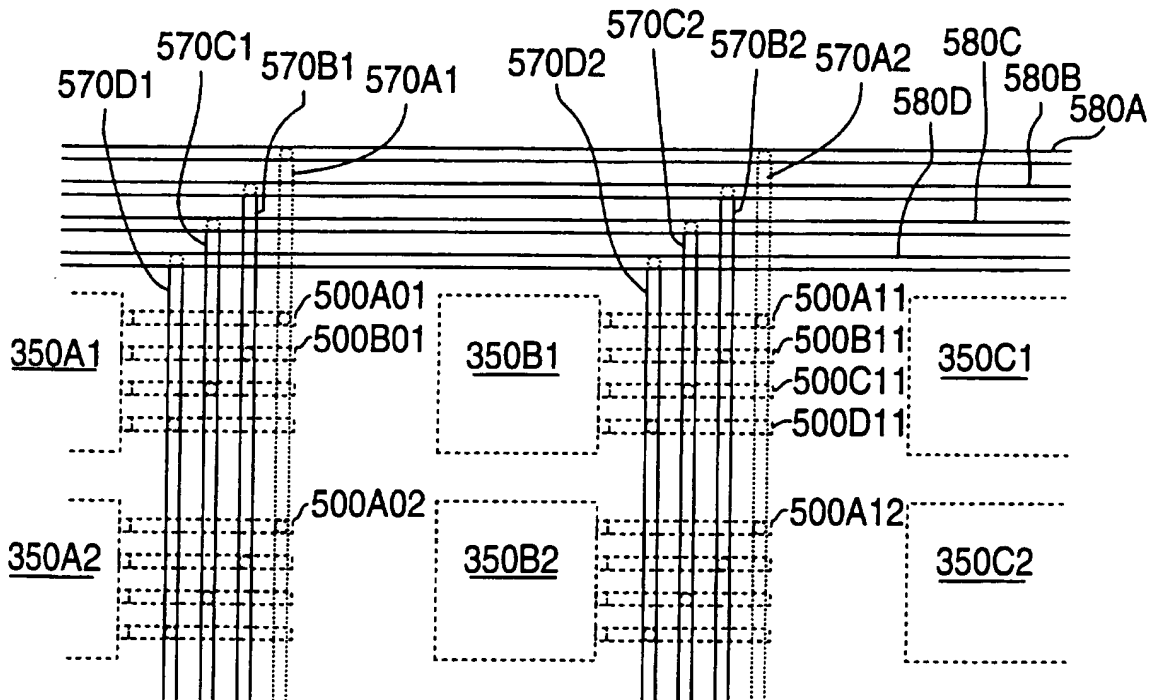


FIG. 10B

FIG. 10A

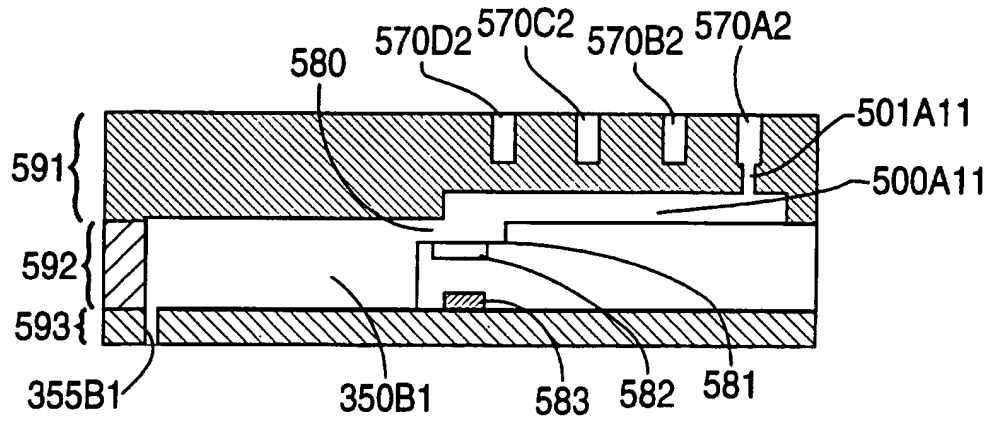


**FIG. 11**

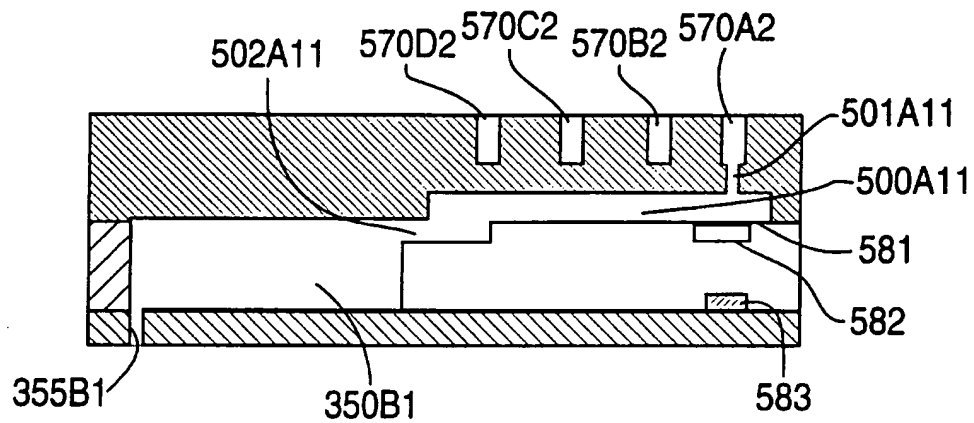


**FIG. 12**  
**SUBSTITUTE SHEET (RULE 26)**

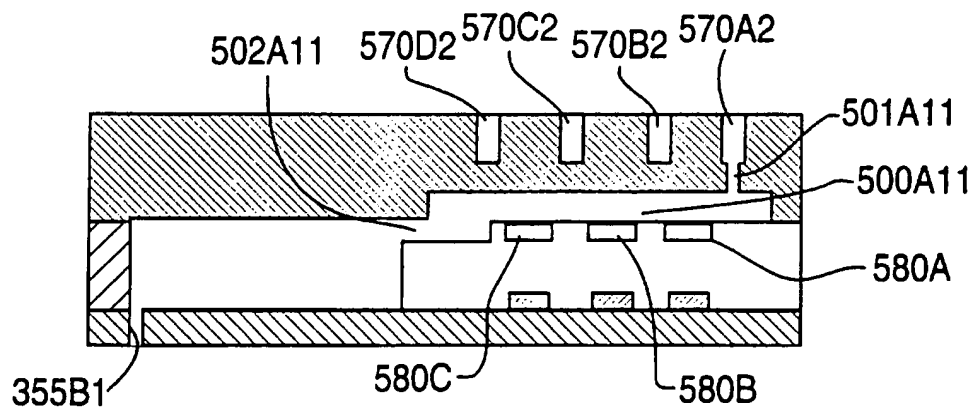
11/16



**FIG. 13A**

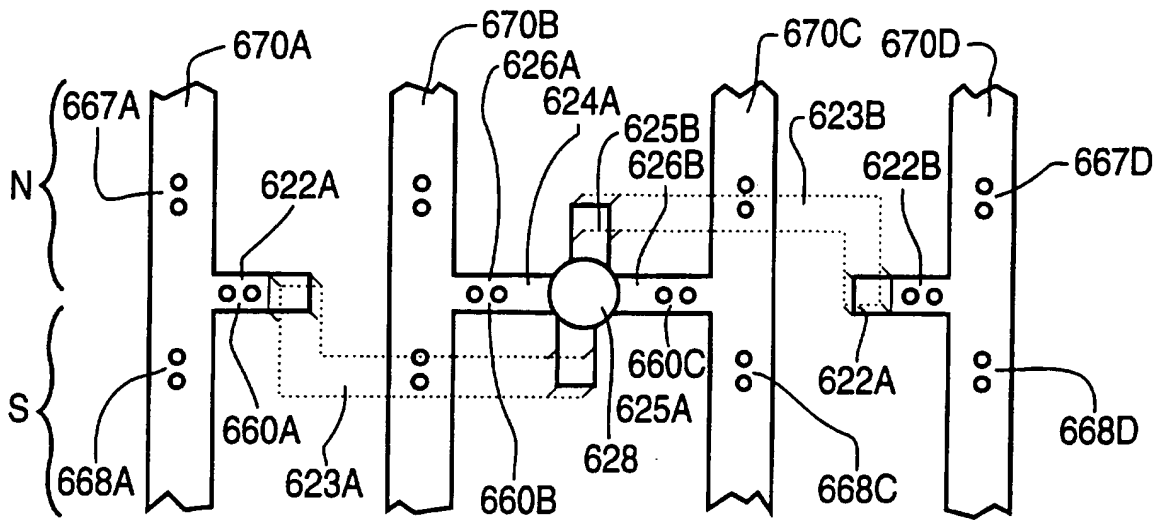


**FIG. 13B**

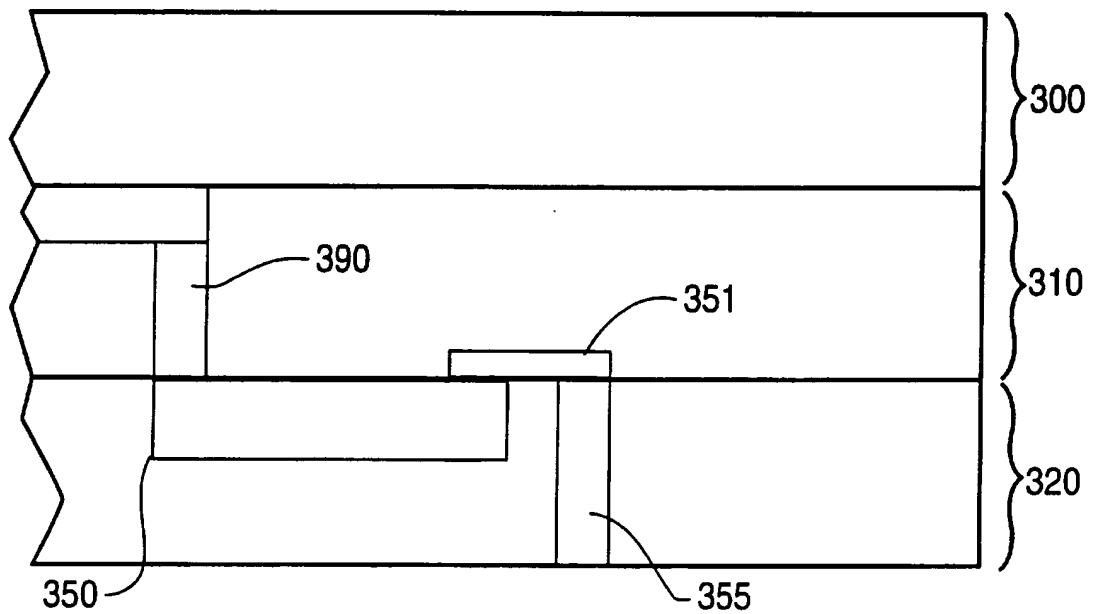


**FIG. 13C**

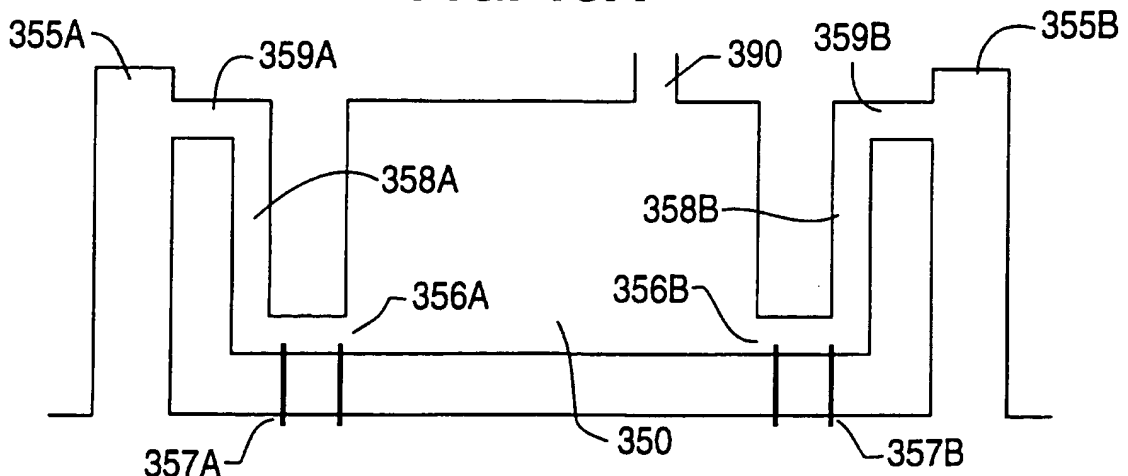
**SUBSTITUTE SHEET (RULE 26)**



**FIG. 14**



**FIG. 15A**



**FIG. 15B**  
**SUBSTITUTE SHEET (RULE 26)**

13/16

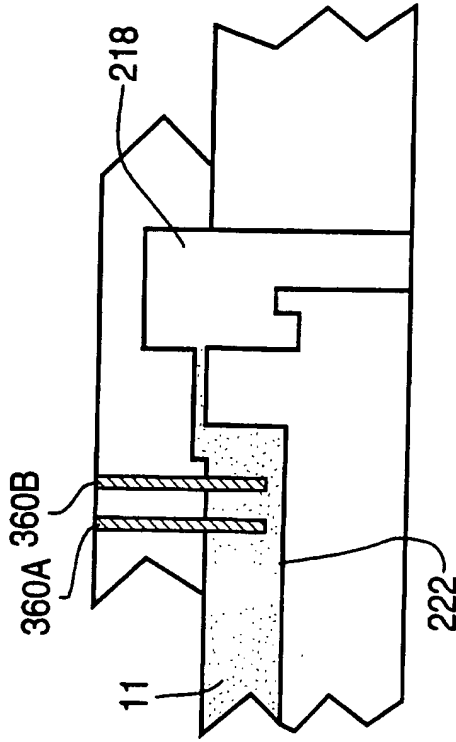


FIG. 16D

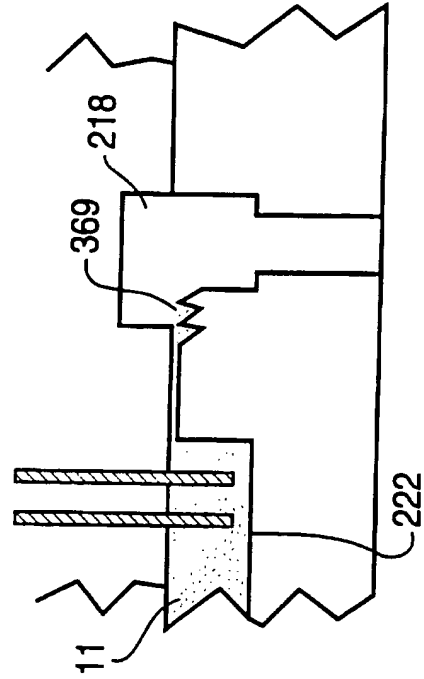


FIG. 16C

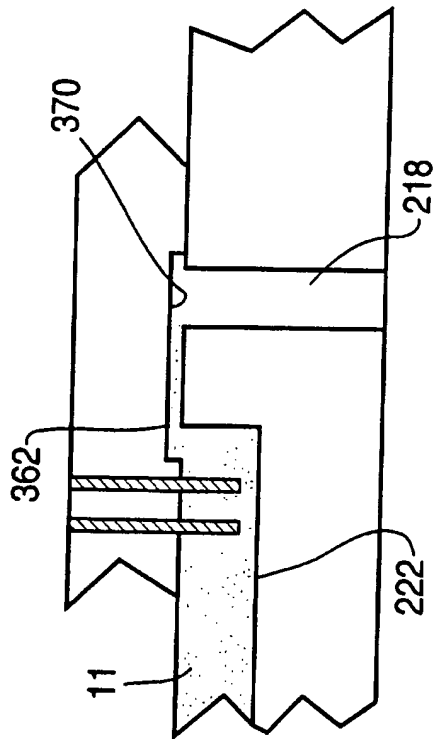


FIG. 16A

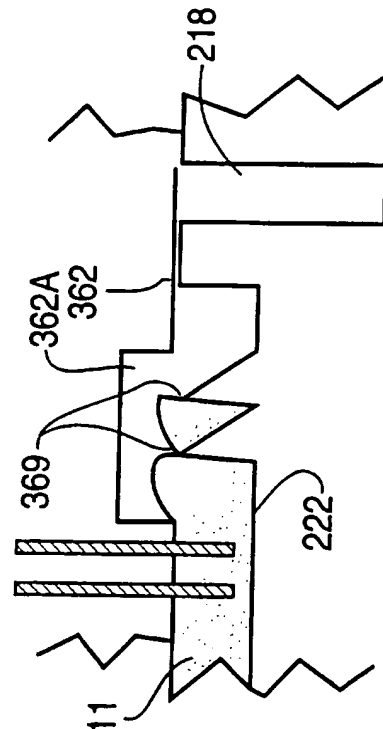
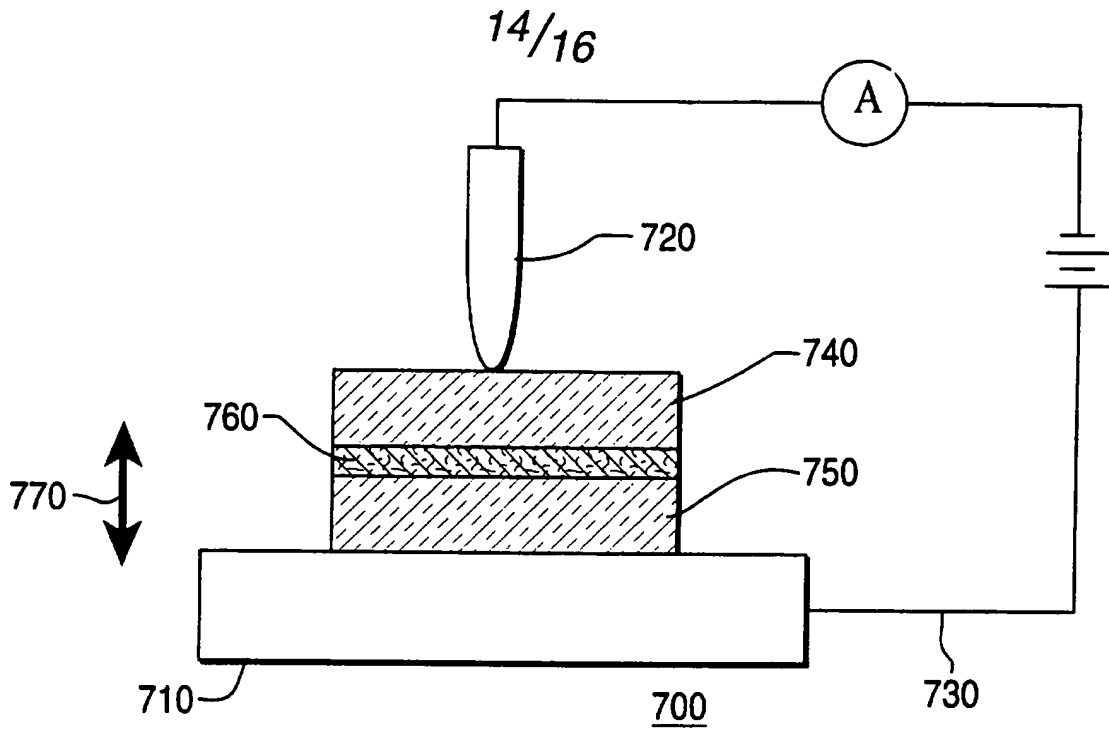
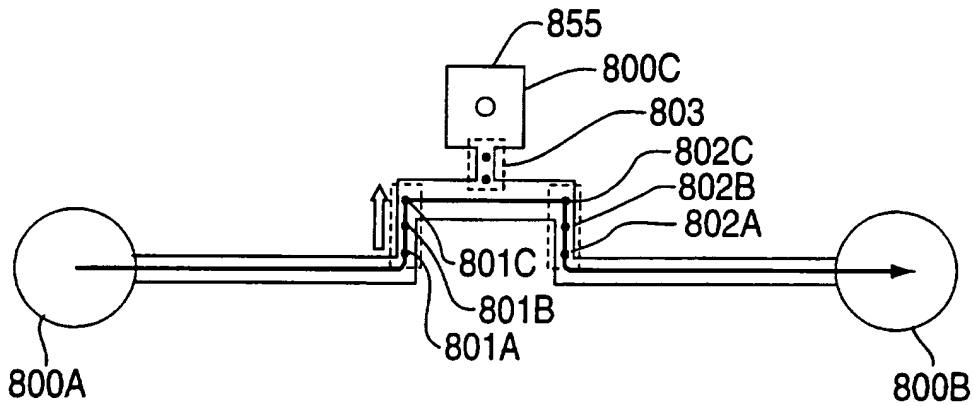


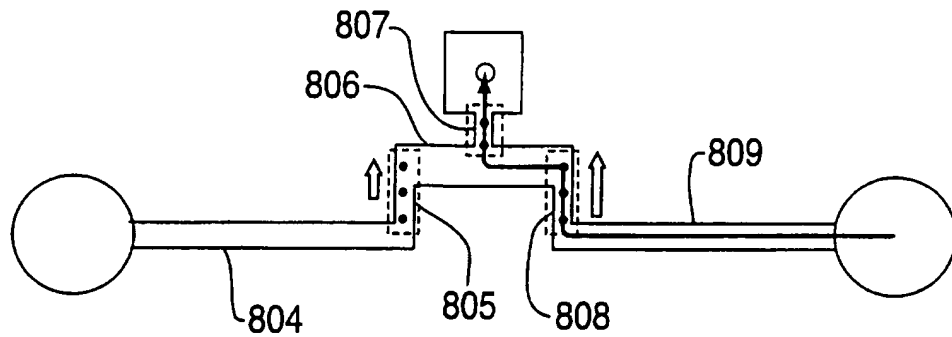
FIG. 16B



**FIG. 17**



**FIG. 18A**



**FIG. 18B**

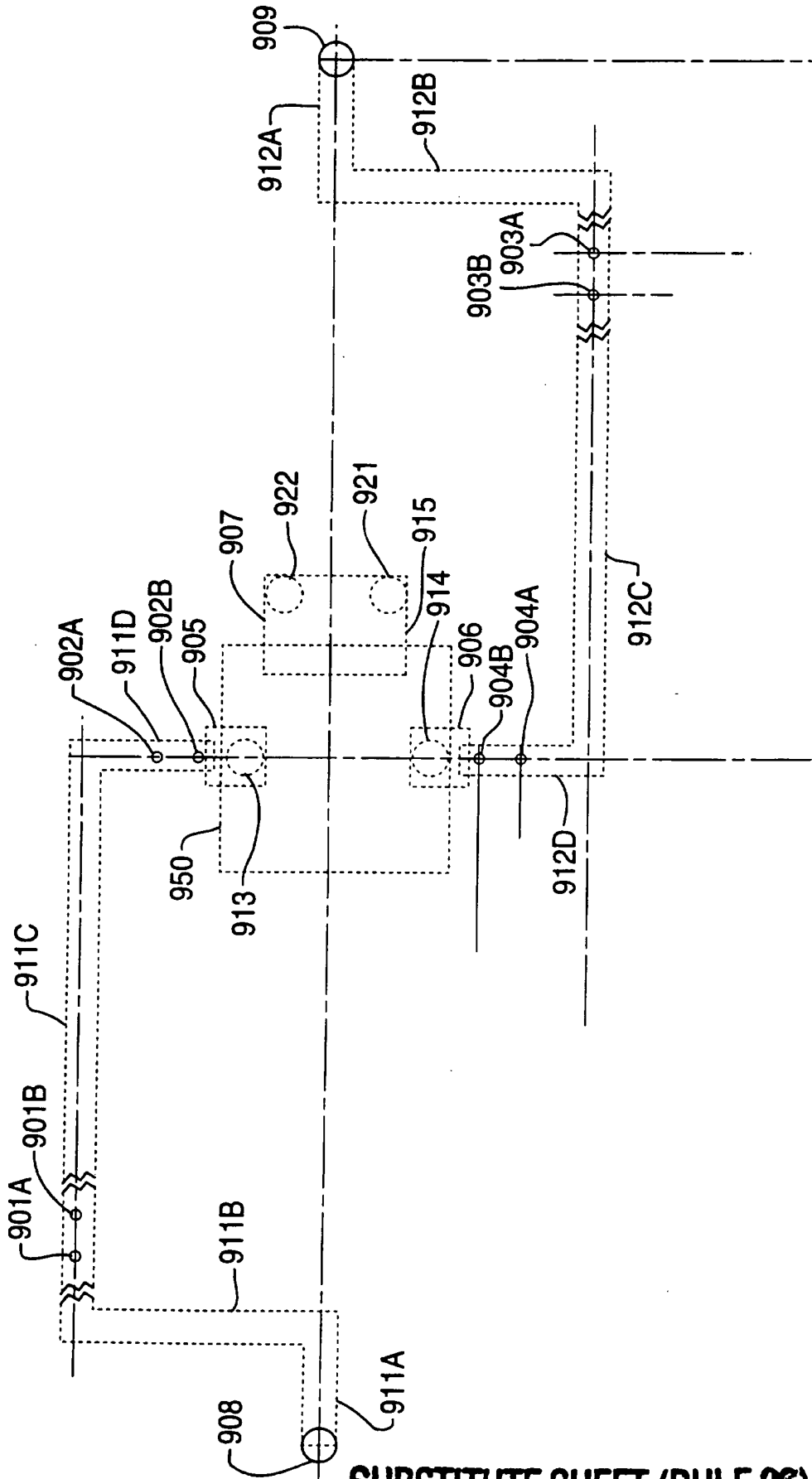
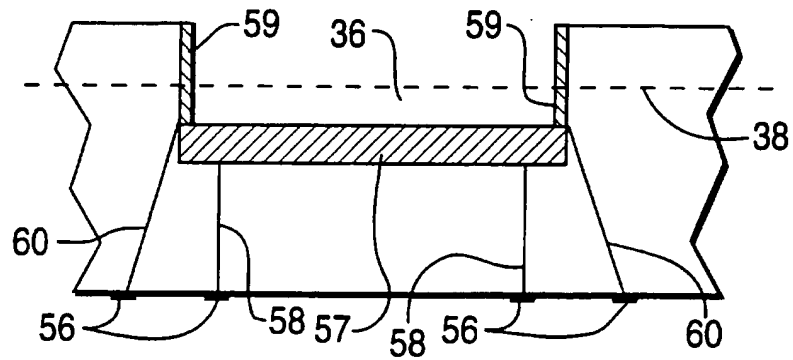
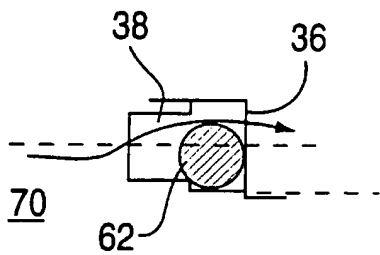


FIG. 19

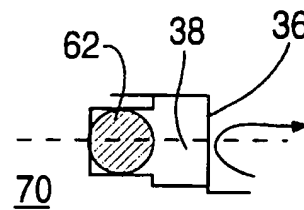




**FIG. 20**



**FIG. 21A**



**FIG. 21B**

INTERNATIONAL SEARCH REPORT

International application No.  
PCT/US95/14590

**A. CLASSIFICATION OF SUBJECT MATTER**

IPC(6) :H02K 44/02, 44/04; H01J 41/18; F04D 33/00  
US CL :204/687; 417/48,50,53

According to International Patent Classification (IPC) or to both national classification and IPC

**B. FIELDS SEARCHED**

Minimum documentation searched (classification system followed by classification symbols)

U.S. : 204/687; 417/48,50,53

Documentation searched other than minimum documentation to the extent that such documents are included in the fields searched  
NONE

Electronic data base consulted during the international search (name of data base and, where practicable, search terms used)  
NONE


**C. DOCUMENTS CONSIDERED TO BE RELEVANT**

Category*	Citation of document, with indication, where appropriate, of the relevant passages	Relevant to claim No.
A	US, A, 5,180,288 (RICHTER ET AL.) 19 JANUARY 1993, SEE CLAIMS AND FIGURES 1-7.	1-39
A	US, A, 4,412,785 (ROMAN) 01 NOVEMBER 1983, SEE FIGURES 1-4B AND CLAIMS 1-5.	1-39

Further documents are listed in the continuation of Box C.  See patent family annex.

* Special categories of cited documents:	*T* later document published after the international filing date or priority date and not in conflict with the application but cited to understand the principle or theory underlying the invention
*A* document defining the general state of the art which is not considered to be of particular relevance	*X* document of particular relevance; the claimed invention cannot be considered novel or cannot be considered to involve an inventive step when the document is taken alone
*E* earlier document published on or after the international filing date	*Y* document of particular relevance; the claimed invention cannot be considered to involve an inventive step when the document is combined with one or more other such documents, such combination being obvious to a person skilled in the art
*L* document which may throw doubts on priority claim(s) or which is cited to establish the publication date of another citation or other special reason (as specified)	*Z* document member of the same patent family
*O* document referring to an oral disclosure, use, exhibition or other means	
*P* document published prior to the international filing date but later than the priority date claimed	

Date of the actual completion of the international search 20 FEBRUARY 1996	Date of mailing of the international search report 25 MAR 1996
---	---

Name and mailing address of the ISA/US Commissioner of Patents and Trademarks Box PCT Washington, D.C. 20231 Facsimile No. (703) 305-3230	Authorized officer  ARUN S. PHASGE Telephone No. (703) 308-0661
---	--

**This Page is Inserted by IFW Indexing and Scanning  
Operations and is not part of the Official Record**

**BEST AVAILABLE IMAGES**

Defective images within this document are accurate representations of the original documents submitted by the applicant.

Defects in the images include but are not limited to the items checked:

- BLACK BORDERS**
- IMAGE CUT OFF AT TOP, BOTTOM OR SIDES**
- FADED TEXT OR DRAWING**
- BLURRED OR ILLEGIBLE TEXT OR DRAWING**
- SKEWED/SLANTED IMAGES**
- COLOR OR BLACK AND WHITE PHOTOGRAPHS**
- GRAY SCALE DOCUMENTS**
- LINES OR MARKS ON ORIGINAL DOCUMENT**
- REFERENCE(S) OR EXHIBIT(S) SUBMITTED ARE POOR QUALITY**
- OTHER: \_\_\_\_\_**

**IMAGES ARE BEST AVAILABLE COPY.**

**As rescanning these documents will not correct the image problems checked, please do not report these problems to the IFW Image Problem Mailbox.**